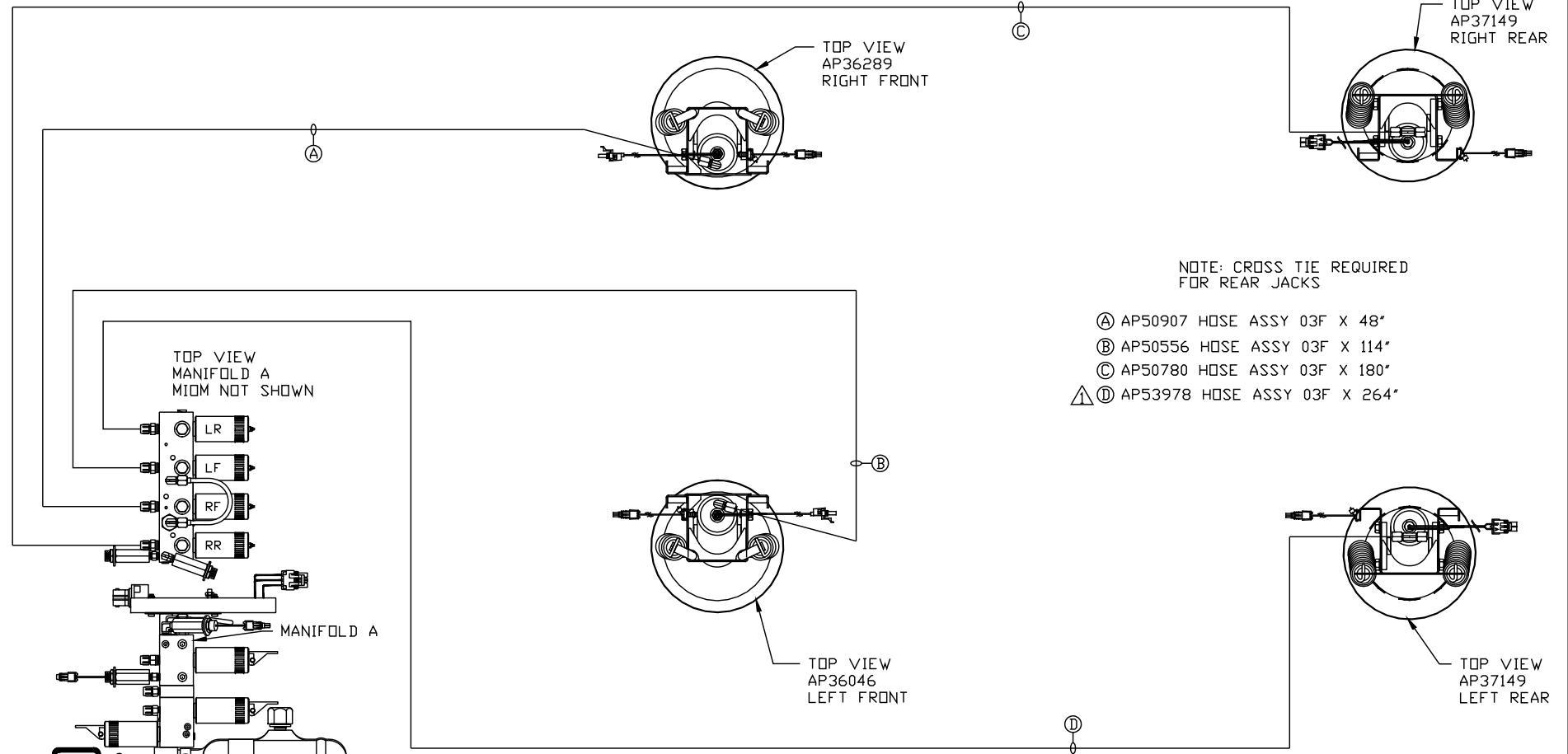


ORIENTATION  
← FRONT



NOTE: CROSS TIE REQUIRED FOR REAR JACKS

- Ⓐ AP50907 HOSE ASSY 03F X 48"
- Ⓑ AP50556 HOSE ASSY 03F X 114"
- Ⓒ AP50780 HOSE ASSY 03F X 180"
- Ⓓ AP53978 HOSE ASSY 03F X 264"

TOP VIEW  
MANIFOLD A  
MIDM NOT SHOWN

MANIFOLD A

SIDE VIEW PUMP/MANIFOLD-AP51514

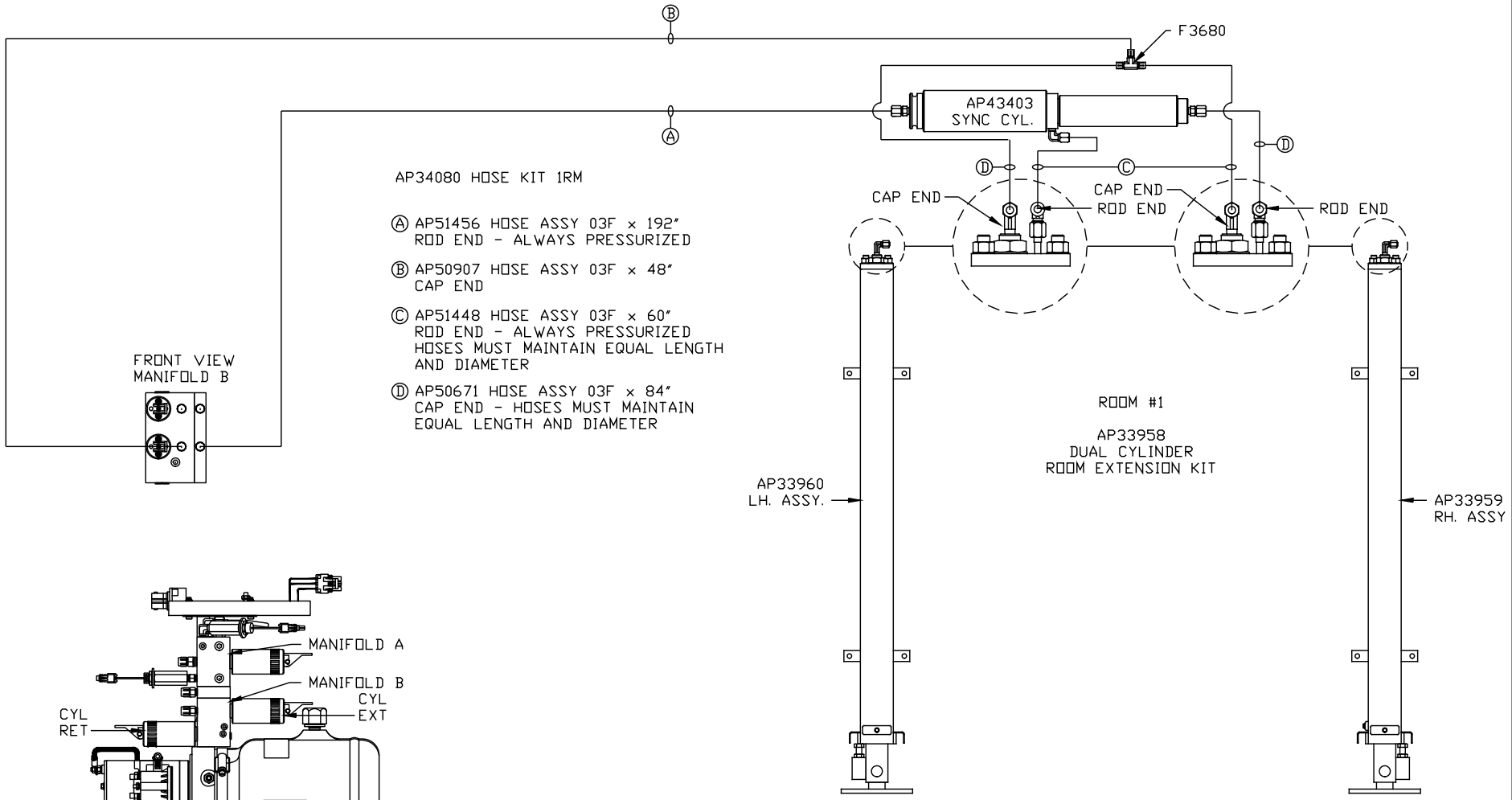
LOCATION AND ORIENTATION OF PUMP/MANIFOLD ASSEMBLY WILL DIFFER DEPENDING UPON O.E.M.

NOTE: INSTALLATION MUST CONFORM TO GOOD SHOP PRACTICES, SAE STANDARDS, RVIA STANDARDS, AND OTHER APPLICABLE STANDARDS.

LEVELING SYSTEM: AP51478

⚠	26MAY22	WAS AP51590
NO.	DATE	REVISION
THE INFORMATION DISCLOSED ON THIS DRAWING IS CONFIDENTIAL AND MUST NOT BE DISCLOSED OR USED IN ANY MANNER WHICH WILL BE DETRIMENTAL TO THE HWH CORPORATION		

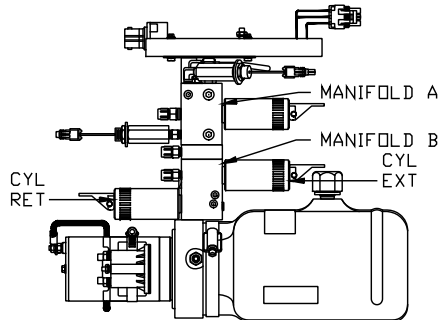
HWH		I-80 EXIT 267 SOUTH RT 1 MOSCOW, IOWA 52760	
SCALE 1:6	DATE 22NOV13	DRAWN BY .	
HYD CONN DIAGRAM			
COACH HOUSE		DRAWING NUMBER MP70678 A/C	



AP34080 HOSE KIT 1RM

- Ⓐ AP51456 HOSE ASSY 03F x 192"  
ROD END - ALWAYS PRESSURIZED
- Ⓑ AP50907 HOSE ASSY 03F x 48"  
CAP END
- Ⓒ AP51448 HOSE ASSY 03F x 60"  
ROD END - ALWAYS PRESSURIZED  
HOSES MUST MAINTAIN EQUAL LENGTH  
AND DIAMETER
- Ⓓ AP50671 HOSE ASSY 03F x 84"  
CAP END - HOSES MUST MAINTAIN  
EQUAL LENGTH AND DIAMETER

FRONT VIEW  
MANIFOLD B



SIDE VIEW PUMP/MANIFOLD-AP51514  
LOCATION AND ORIENTATION OF  
PUMP/MANIFOLD ASSEMBLY WILL  
DIFFER DEPENDING UPON O.E.M.

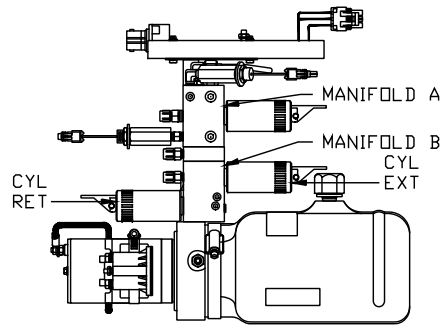
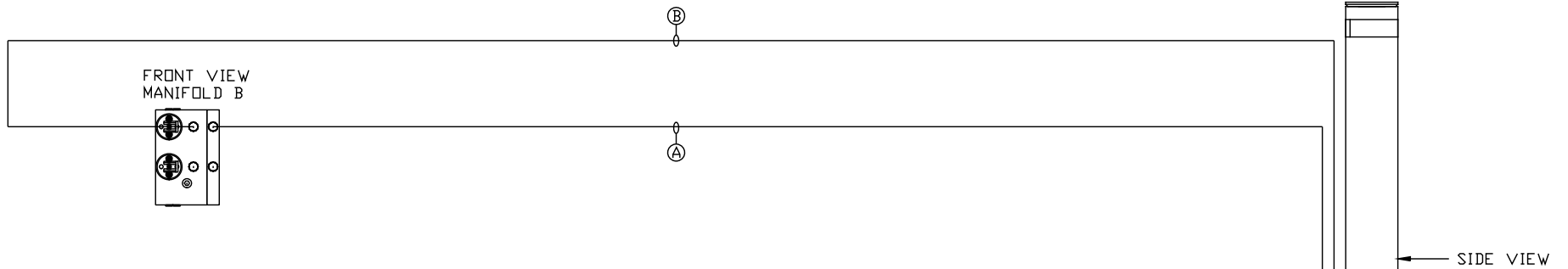
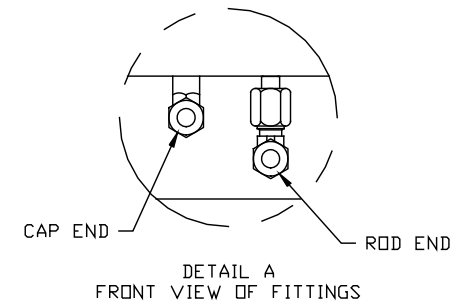
NOTE: INSTALLATION MUST CONFORM TO GOOD SHOP PRACTICES, SAE STANDARDS, RVIA STANDARDS, AND OTHER APPLICABLE STANDARDS.

MP70678 B/C  
22NOV13

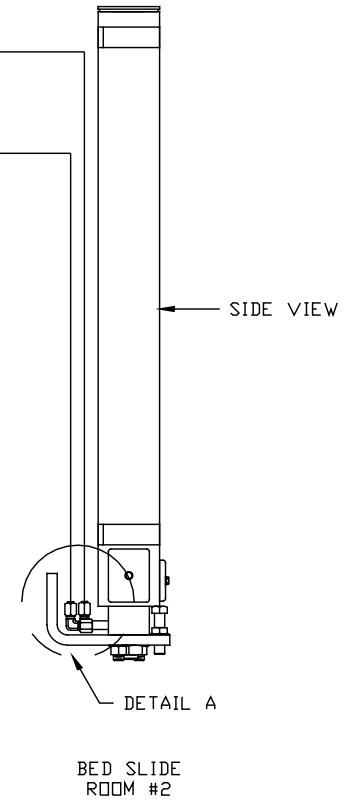
AP28723 HOSE KIT 1 RE

Ⓐ AP51589 HOSE ASSY 03F x 228"  
ROD END - ALWAYS PRESSURIZED

Ⓑ AP50911 HOSE ASSY 03F x 240"  
CAP END



SIDE VIEW PUMP/MANIFOLD-AP51514  
LOCATION AND ORIENTATION OF  
PUMP/MANIFOLD ASSEMBLY WILL  
DIFFER DEPENDING UPON O.E.M.



NOTE: INSTALLATION MUST CONFORM TO GOOD SHOP PRACTICES, SAE  
STANDARDS, RVIA STANDARDS, AND OTHER APPLICABLE STANDARDS.

MP70678 C/C  
22NOV13