

NOTE: INSTALLATION MUST CONFORM TO GOOD SHOP PRACTICES, SAE STANDARDS, RVIA STANDARDS, AND OTHER APPLICABLE STANDARDS.

LEVELING SYSTEM: AP52261

|     |         |                 |
|-----|---------|-----------------|
|     |         |                 |
|     |         |                 |
|     |         |                 |
| △   | 06MAY15 | CORR. CAP / ROD |
| NO. | DATE    | REVISION        |

THE INFORMATION DISCLOSED ON THIS DRAWING IS CONFIDENTIAL AND MUST NOT BE DISCLOSED OR USED IN ANY MANNER WHICH WILL BE DETRIMENTAL TO THE HWH CORPORATION

HWH I-80 EXIT 267 SOUTH  
RT 1 MOSCOW, IOWA 52760

SCALE 1:6 DATE 14NOV13 DRAWN BY .

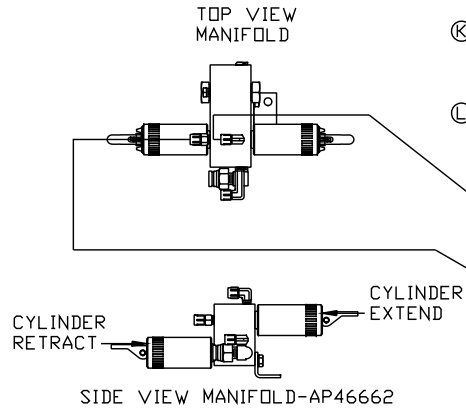
HYD CONN DIAGRAM

FARBER

DRAWING NUMBER  
MP70692 A/B

- Ⓐ .25" ID HOSE  
ROD END - ALWAYS PRESSURIZED
- Ⓑ .25" ID HOSE  
CAP END (ROOM)
- Ⓒ .25" ID HOSE  
ROD END - ALWAYS PRESSURIZED (LIFT)
- Ⓓ .25" ID HOSE  
CAP END (ROOM)
- Ⓔ .25" ID HOSE  
CAP END (LIFT)
- Ⓕ .25" ID HOSE  
CAP END (ROOM)

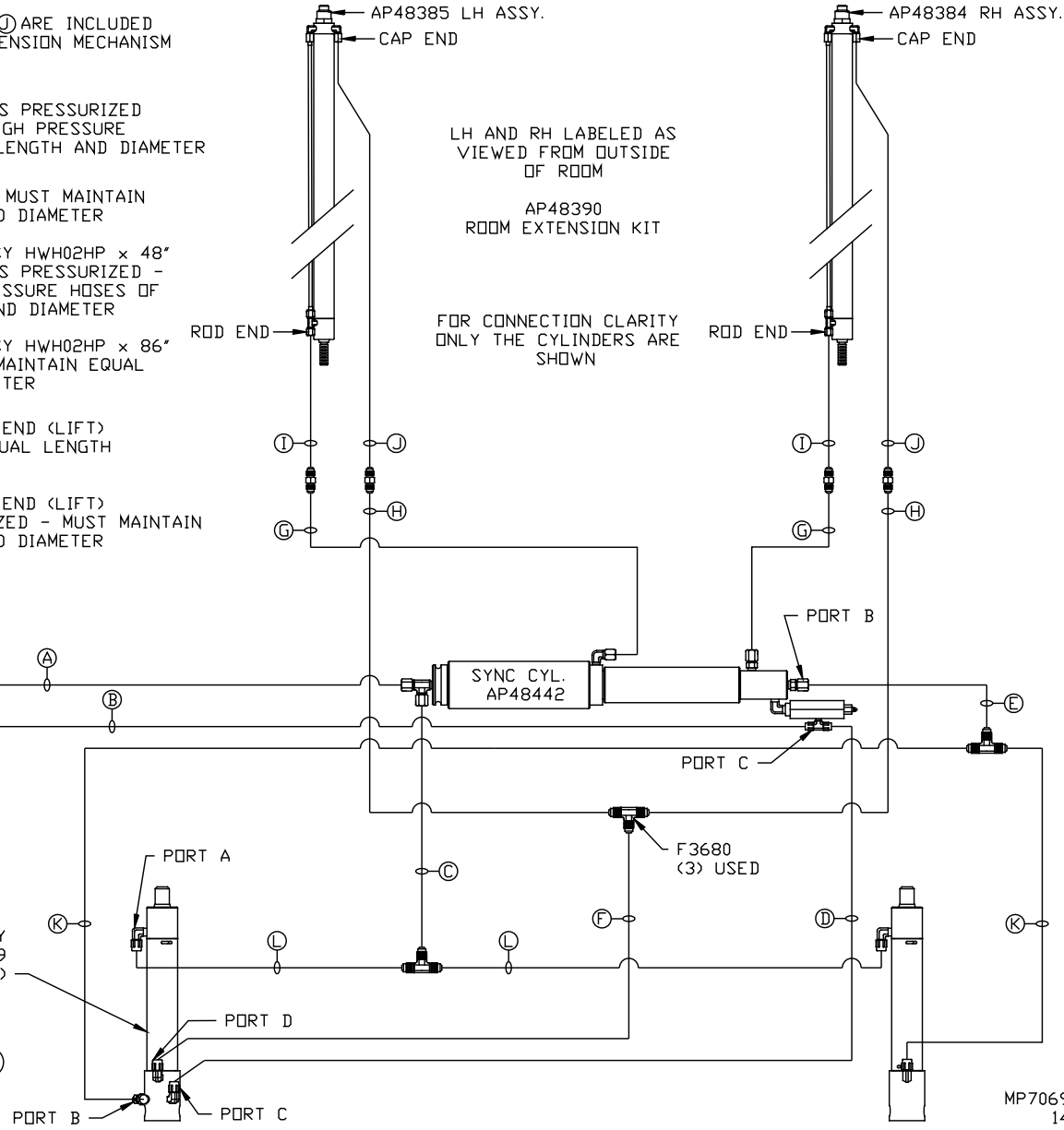
- NOTE: HOSES Ⓘ AND Ⓧ ARE INCLUDED WITH THE ROOM EXTENSION MECHANISM
- Ⓖ .188" ID HOSE  
ROD END - ALWAYS PRESSURIZED  
HOSES MUST BE HIGH PRESSURE  
HOSES OF EQUAL LENGTH AND DIAMETER
  - Ⓡ .25" ID HOSE  
CAP END - HOSES MUST MAINTAIN  
EQUAL LENGTH AND DIAMETER
  - Ⓢ AP24632 HOSE ASSY HWH02HP x 48"  
ROD END - ALWAYS PRESSURIZED -  
MUST BE HIGH PRESSURE HOSES OF  
EQUAL LENGTH AND DIAMETER
  - Ⓣ AP24818 HOSE ASSY HWH02HP x 86"  
CAP END - MUST MAINTAIN EQUAL  
LENGTH AND DIAMETER
  - Ⓚ .25" ID HOSE CAP END (LIFT)  
MUST MAINTAIN EQUAL LENGTH  
AND DIAMETER
  - Ⓛ .25" ID HOSE ROD END (LIFT)  
ALWAYS PRESSURIZED - MUST MAINTAIN  
EQUAL LENGTH AND DIAMETER



LOCATION AND ORIENTATION OF PUMP/MANIFOLD ASSEMBLY WILL DIFFER DEPENDING UPON O.E.M.

NOTE: GENERIC VIEWS FOR CLARITY. CYLINDERS MAY BE REVERSED

NOTE: INSTALLATION MUST CONFORM TO GOOD SHOP PRACTICES, SAE STANDARDS, RVIA STANDARDS, AND OTHER APPLICABLE STANDARDS.



MP70692 B/B  
14NOV13