

- Ⓐ AP6116 HOSE ASSY .25" x 240" - RF ROD END
- Ⓑ AP51468 HOSE ASSY .25/05 x 232" - RF CAP END
- Ⓒ AP6116 HOSE ASSY .25" x 240" - LF ROD END
- Ⓓ AP51468 HOSE ASSY .25/05 x 232" - LF CAP END
- Ⓔ AP4164 HOSE ASSY .25" x 384" - RR ROD END
- Ⓕ AP50407 HOSE ASSY .25/05 x 360" - RR CAP END
- Ⓖ AP4164 HOSE ASSY .25" x 384" - LR ROD END
- Ⓗ AP50407 HOSE ASSY .25/05 x 360" - LR CAP END
- Ⓘ AP4159 HOSE ASSY .25" x 72" - PRESSURE TO REMOTE MANIFOLD
- ⓵ P6114 RETURN LINE .5" x 72" - RETURN FROM REMOTE MANIFOLD

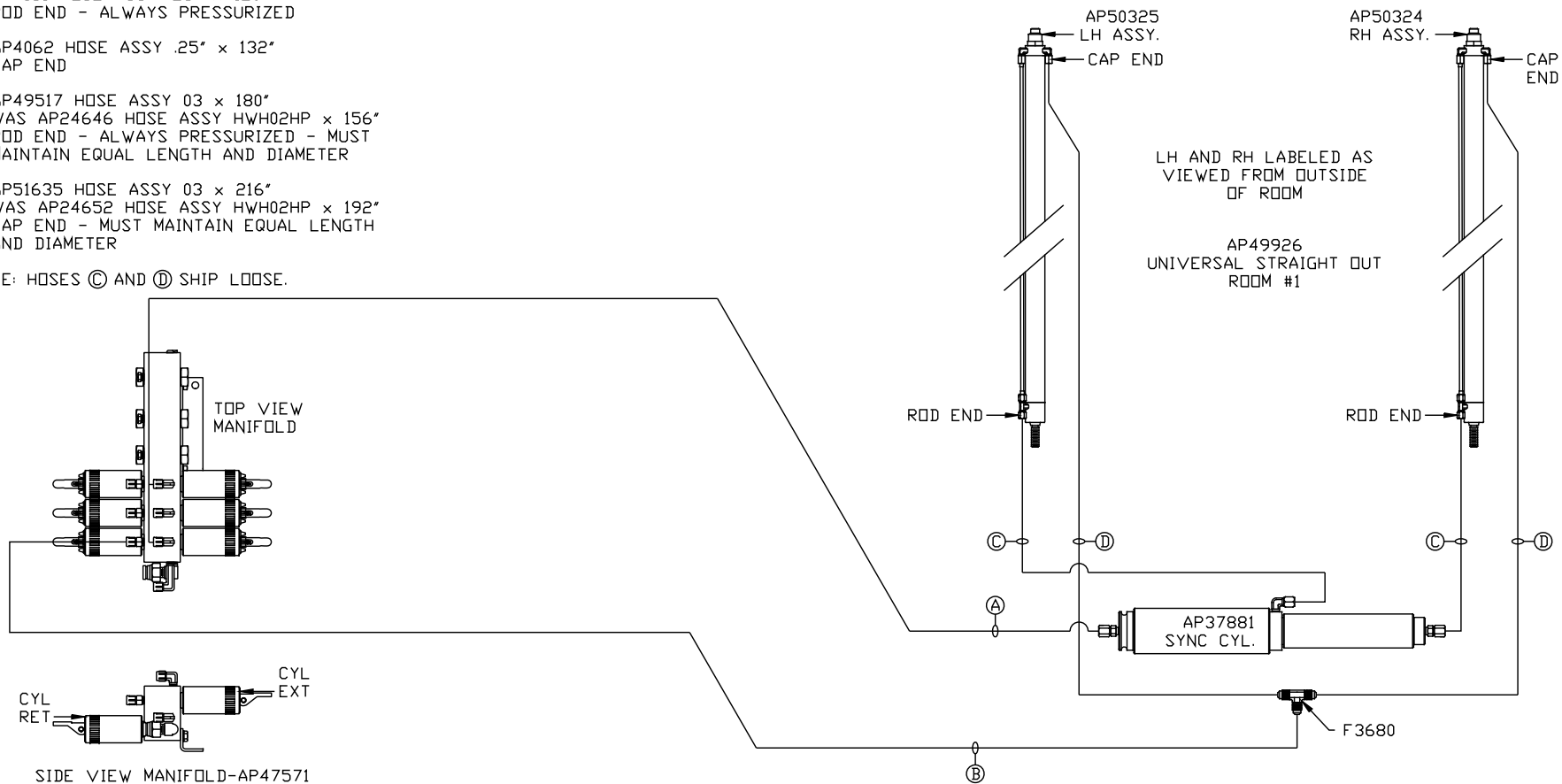
NOTE: INSTALLATION MUST CONFORM TO GOOD SHOP PRACTICES, SAE STANDARDS, RVIA STANDARDS, AND OTHER APPLICABLE STANDARDS. LEVELING SYSTEM: AP52488

| | | | |
|--|------|--|-------------------------------|
| | | HWH I-80 EXIT 267 SOUTH RT 1 MOSCOW, IOWA 52760 | |
| | | SCALE 1:6 | DATE 04DEC13 |
| | | DRAWN BY . | |
| 1 | | 20JUL15 | UPDATED HOSES |
| NO. | DATE | REVISION | |
| HYD CONN DIAGRAM | | | |
| KIBBI | | | DRAWING NUMBER MP70694 A/E |
| THE INFORMATION DISCLOSED ON THIS DRAWING IS CONFIDENTIAL AND MUST NOT BE DISCLOSED OR USED IN ANY MANNER WHICH WILL BE DETRIMENTAL TO THE HWH CORPORATION | | | |

AP50208 HOSE KIT ROOM 1

- Ⓐ AP4161 HOSE ASSY .25" x 120"
ROD END - ALWAYS PRESSURIZED
- Ⓑ AP4062 HOSE ASSY .25" x 132"
CAP END
- Ⓒ AP49517 HOSE ASSY 03 x 180"
WAS AP24646 HOSE ASSY HWH02HP x 156"
ROD END - ALWAYS PRESSURIZED - MUST
MAINTAIN EQUAL LENGTH AND DIAMETER
- Ⓓ AP51635 HOSE ASSY 03 x 216"
WAS AP24652 HOSE ASSY HWH02HP x 192"
CAP END - MUST MAINTAIN EQUAL LENGTH
AND DIAMETER

NOTE: HOSES Ⓒ AND Ⓓ SHIP LOOSE.



SIDE VIEW MANIFOLD-AP47571
LOCATION AND ORIENTATION OF
MANIFOLD ASSEMBLY WILL
DIFFER DEPENDING UPON O.E.M.

NOTE: INSTALLATION MUST CONFORM TO GOOD SHOP PRACTICES, SAE
STANDARDS, RVIA STANDARDS, AND OTHER APPLICABLE STANDARDS.

MP70694 B/E
20JUL15

AP50209 HOSE KIT ROOM 2

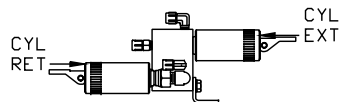
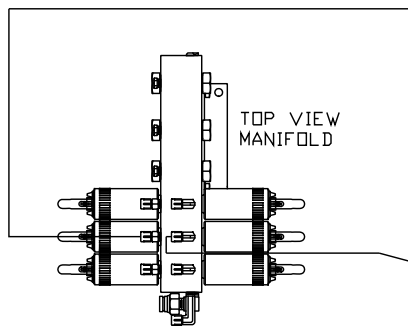
- Ⓐ AP52740 HOSE ASSY 03 X 480"
WAS AP36651 HOSE ASSY HWH02HP X 480"
ROD END - ALWAYS PRESSURIZED
- Ⓑ AP6218 HOSE ASSY .25" X 480"
CAP END

- Ⓒ AP24628 HOSE ASSY HWH02HP x 24.25"
ROD END - ALWAYS PRESSURIZED
- Ⓓ AP24632 HOSE ASSY HWH02HP x 48"
CAP END

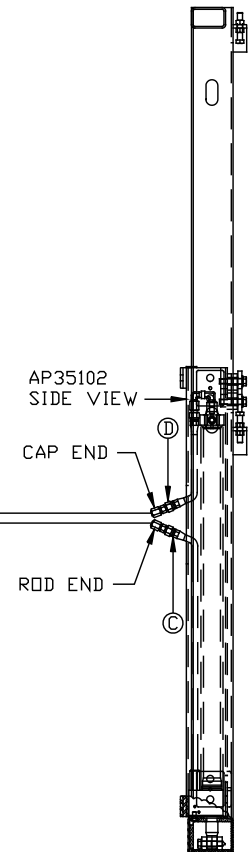
NOTE: HOSES Ⓒ AND Ⓓ ARE INCLUDED WITH THE ROOM EXTENSION MECHANISM.

NOTE: HOSES Ⓐ AND Ⓑ NEED TO BE PLUGGED.

ROOM #2
AP47905
BED SLIDE KIT



SIDE VIEW MANIFOLD-AP47571
LOCATION AND ORIENTATION OF
MANIFOLD ASSEMBLY WILL
DIFFER DEPENDING UPON O.E.M.



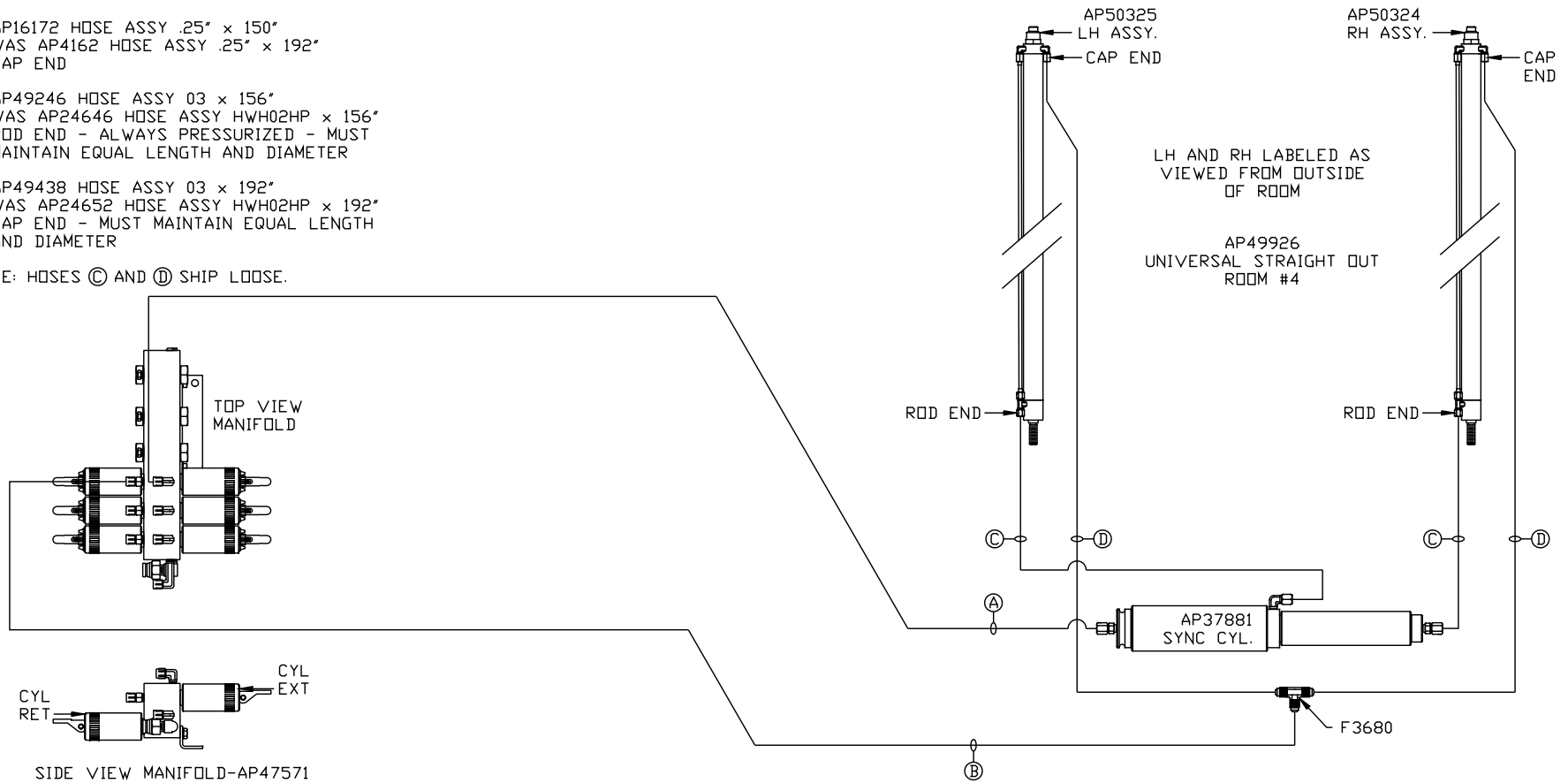
NOTE: INSTALLATION MUST CONFORM TO GOOD SHOP PRACTICES, SAE STANDARDS, RVIA STANDARDS, AND OTHER APPLICABLE STANDARDS.

MP70694 C/E
20JUL15

AP50211 HOSE KIT ROOM 4

- Ⓐ AP4827 HOSE ASSY .25" x 144"
ROD END - ALWAYS PRESSURIZED
- Ⓑ AP16172 HOSE ASSY .25" x 150"
WAS AP4162 HOSE ASSY .25" x 192"
CAP END
- Ⓒ AP49246 HOSE ASSY 03 x 156"
WAS AP24646 HOSE ASSY HWH02HP x 156"
ROD END - ALWAYS PRESSURIZED - MUST
MAINTAIN EQUAL LENGTH AND DIAMETER
- Ⓓ AP49438 HOSE ASSY 03 x 192"
WAS AP24652 HOSE ASSY HWH02HP x 192"
CAP END - MUST MAINTAIN EQUAL LENGTH
AND DIAMETER

NOTE: HOSES Ⓒ AND Ⓓ SHIP LOOSE.



NOTE: INSTALLATION MUST CONFORM TO GOOD SHOP PRACTICES, SAE STANDARDS, RVIA STANDARDS, AND OTHER APPLICABLE STANDARDS.

MP70694 D/E
20JUL15

