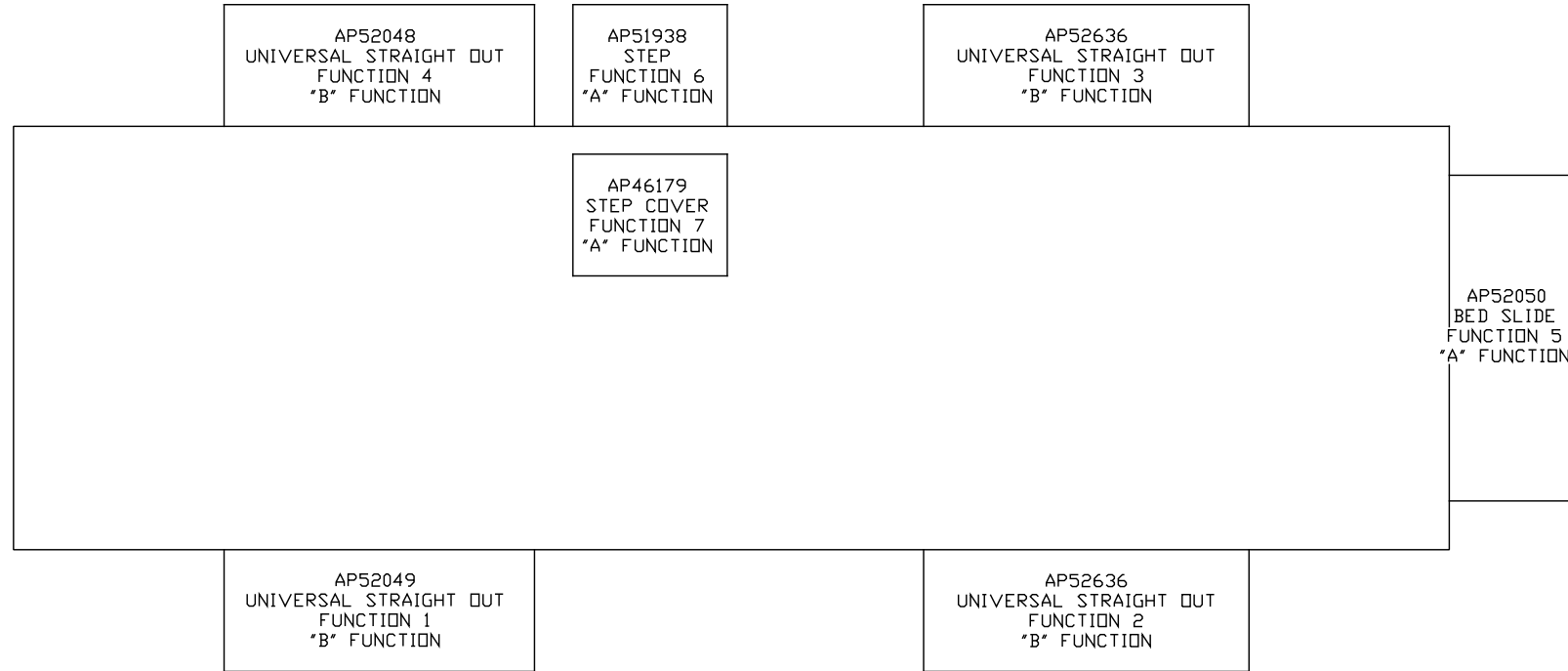


ORIENTATION  
 ← FRONT



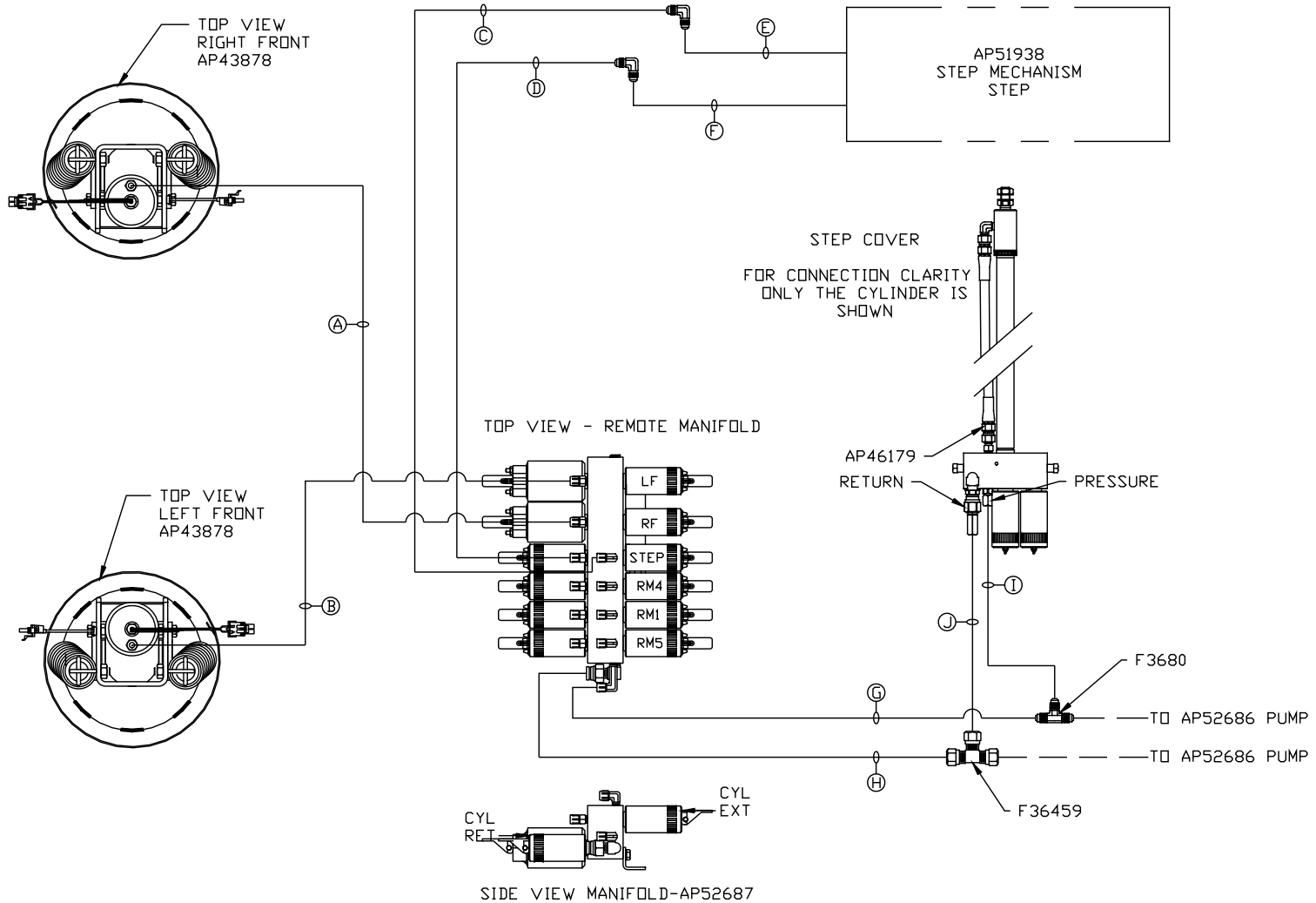
NOTE: INSTALLATION MUST CONFORM TO GOOD SHOP PRACTICES, SAE STANDARDS, RVIA STANDARDS, AND OTHER APPLICABLE STANDARDS.

LEVELING SYSTEM: AP52044

△	06MAY15	CORRECTED PART NO.
1	23APR14	ADDED HOSE INFO.
NO.	DATE	REVISION

THE INFORMATION DISCLOSED ON THIS DRAWING IS CONFIDENTIAL AND MUST NOT BE DISCLOSED OR USED IN ANY MANNER WHICH WILL BE DETRIMENTAL TO THE HWH CORPORATION

HWH		I-80 EXIT 267 SOUTH	
		RT 1 MOSCOW, IOWA 52760	
SCALE 1:6	DATE 21OCT13	DRAWN BY .	
HYD CONN DIAGRAM			
ATHENA			DRAWING NUMBER MP70699 A/G



- AP53554 HOSE KIT LE SY
- AP53560 HOSE KIT STEPS
- AP53561 HOSE KIT STEP COVER
- Ⓐ AP4162 HOSE ASSY .25" x 192" RIGHT FRONT JACK
- Ⓑ AP6116 HOSE ASSY .25" x 240" LEFT FRONT JACK
- Ⓒ AP4827 HOSE ASSY .25" x 144" ROD END - ALWAYS PRESSURIZED
- Ⓓ AP16172 HOSE ASSY .25" x 150" CAP END
- Ⓔ AP50909 HOSE ASSY 03F x 72" ROD END - ALWAYS PRESSURIZED
- Ⓕ AP51480 HOSE ASSY 03F x 66" CAP END
- Ⓖ AP4159 HOSE ASSY .25" x 72" PRESSURE FROM PUMP
- Ⓗ P6114 RETURN LINE .5" x 72" RETURN FROM PUMP
- Ⓘ AP4159 HOSE ASSY .25" x 72" PRESSURE TO STEP COVER
- Ⓢ P6114 RETURN LINE .5" x 72" RETURN FROM STEP COVER

NOTE: HOSES Ⓔ AND Ⓕ ARE INCLUDED WITH THE STEP MECHANISM.

NOTE: INSTALLATION MUST CONFORM TO GOOD SHOP PRACTICES, SAE STANDARDS, RVIA STANDARDS, AND OTHER APPLICABLE STANDARDS.

MP70699 B/G  
23APR14

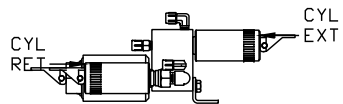
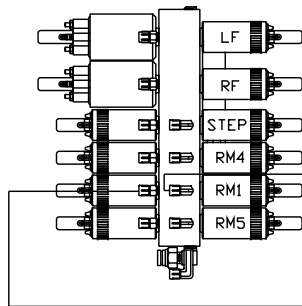
AP53555 HOSE ASSY ROOM 1

- Ⓐ AP4827 HOSE ASSY .25" x 144" ROD END - ALWAYS PRESSURIZED
- Ⓑ AP16172 HOSE ASSY .25" x 150" CAP END
- Ⓒ AP51635 HOSE ASSY 03F x 216" ROD END - ALWAYS PRESSURIZED HOSES MUST MAINTAIN EQUAL LENGTH AND DIAMETER
- Ⓓ AP5924 HOSE ASSY .25" x 228" CAP END - HOSES MUST MAINTAIN EQUAL LENGTH AND DIAMETER

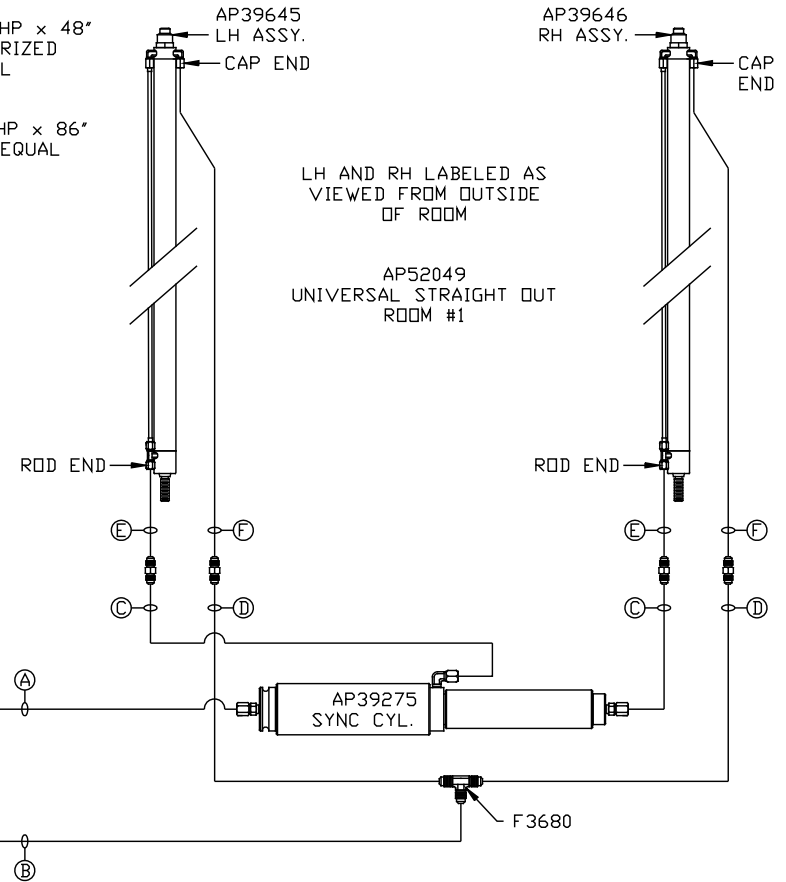
NOTE: HOSES Ⓒ AND Ⓓ ARE INCLUDED WITH THE ROOM EXTENSION MECHANISM

- Ⓔ AP24632 HOSE ASSY HWH02HP x 48" ROD END - ALWAYS PRESSURIZED HOSES MUST MAINTAIN EQUAL LENGTH AND DIAMETER
- Ⓕ AP24818 HOSE ASSY HWH02HP x 86" CAP END - MUST MAINTAIN EQUAL LENGTH AND DIAMETER

TOP VIEW - REMOTE MANIFOLD



SIDE VIEW MANIFOLD-AP52687

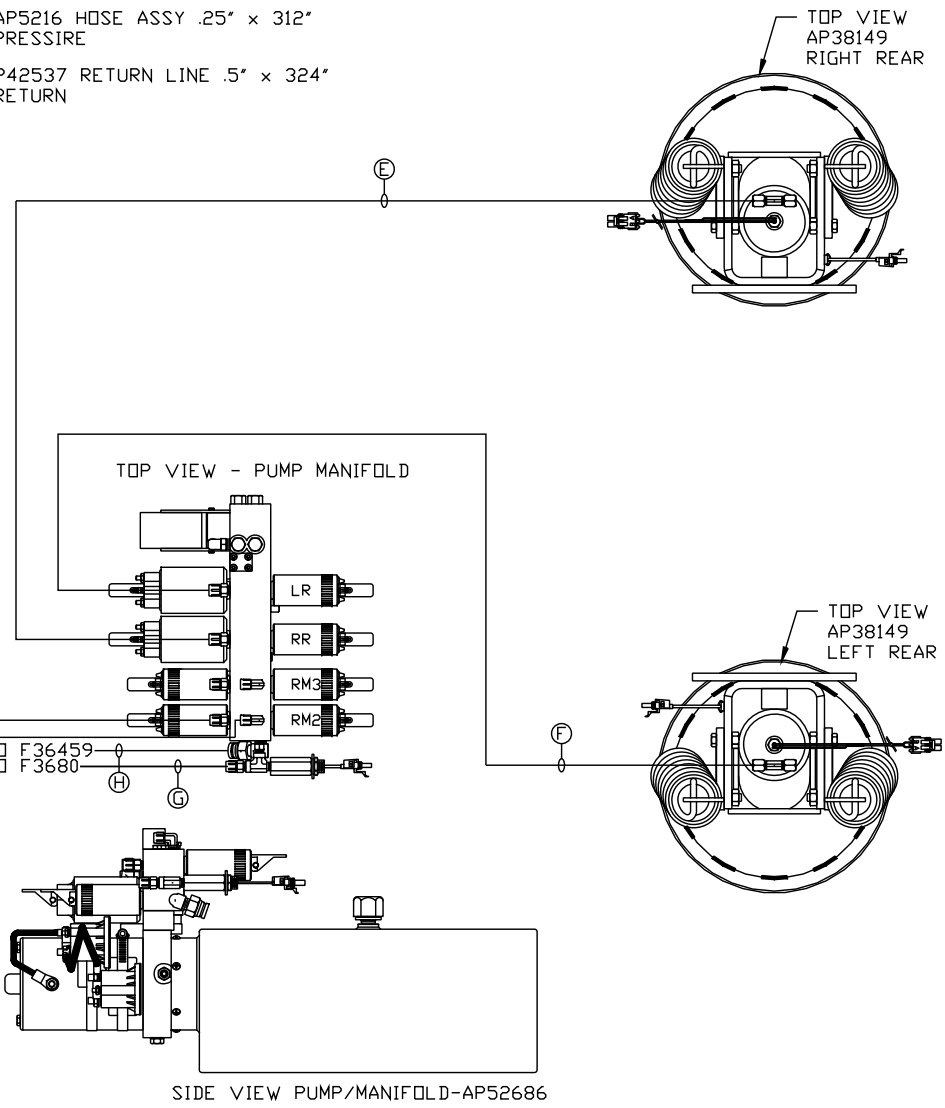
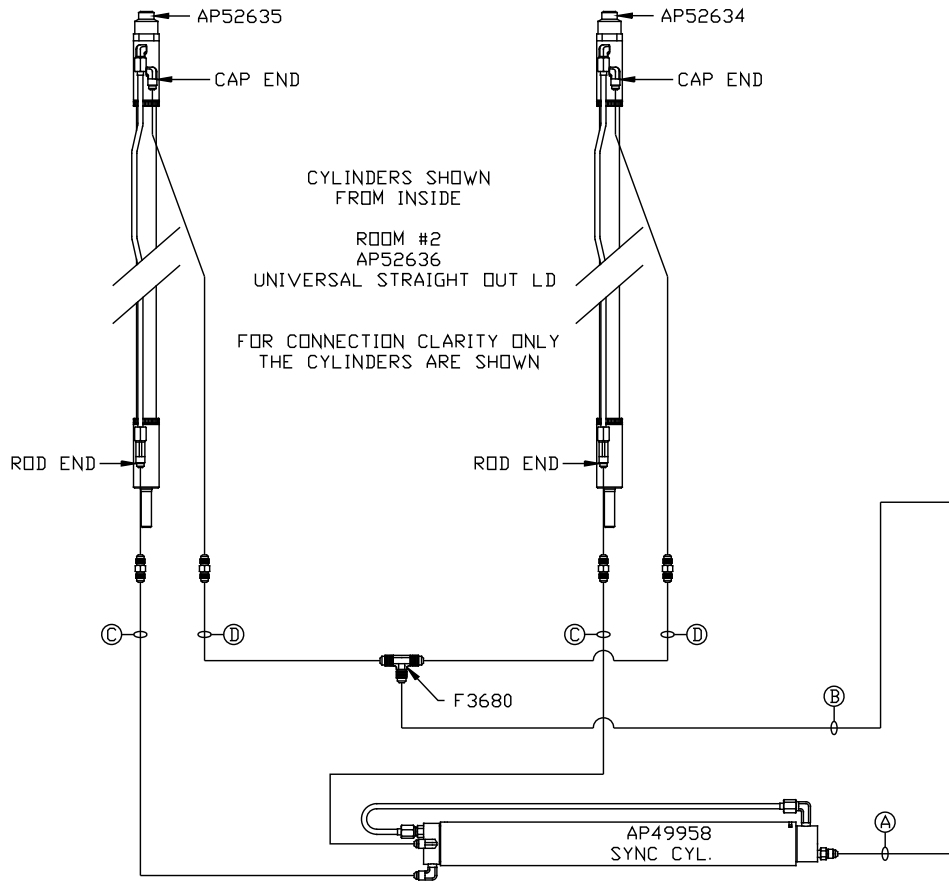


NOTE: INSTALLATION MUST CONFORM TO GOOD SHOP PRACTICES, SAE STANDARDS, RVIA STANDARDS, AND OTHER APPLICABLE STANDARDS.

MP70699 C/G  
23APR14

AP53556 HOSE KIT ROOM 2

- Ⓐ AP4060 HOSE ASSY .25" x 24" ROD END - ALWAYS PRESSURIZED
- Ⓑ AP3314 HOSE ASSY .25" x 48" CAP END
- Ⓒ AP51449 HOSE ASSY 03F x 120" ROD END - ALWAYS PRESSURIZED HOSES MUST MAINTAIN EQUAL LENGTH AND DIAMETER
- Ⓓ AP4161 HOSE ASSY .25" x 120" CAP END - HOSES MUST MAINTAIN EQUAL LENGTH AND DIAMETER
- Ⓔ AP5352 HOSE ASSY .25" x 96" RIGHT REAR JACK
- Ⓕ AP4161 HOSE ASSY .25" x 120" LEFT REAR JACK
- Ⓖ AP5216 HOSE ASSY .25" x 312" PRESSURE
- Ⓗ P42537 RETURN LINE .5" x 324" RETURN



NOTE: INSTALLATION MUST CONFORM TO GOOD SHOP PRACTICES, SAE STANDARDS, RVIA STANDARDS, AND OTHER APPLICABLE STANDARDS.

SIDE VIEW PUMP/MANIFOLD-AP52686  
 LOCATION AND ORIENTATION OF PUMP/MANIFOLD ASSEMBLY WILL DIFFER DEPENDING UPON O.E.M.

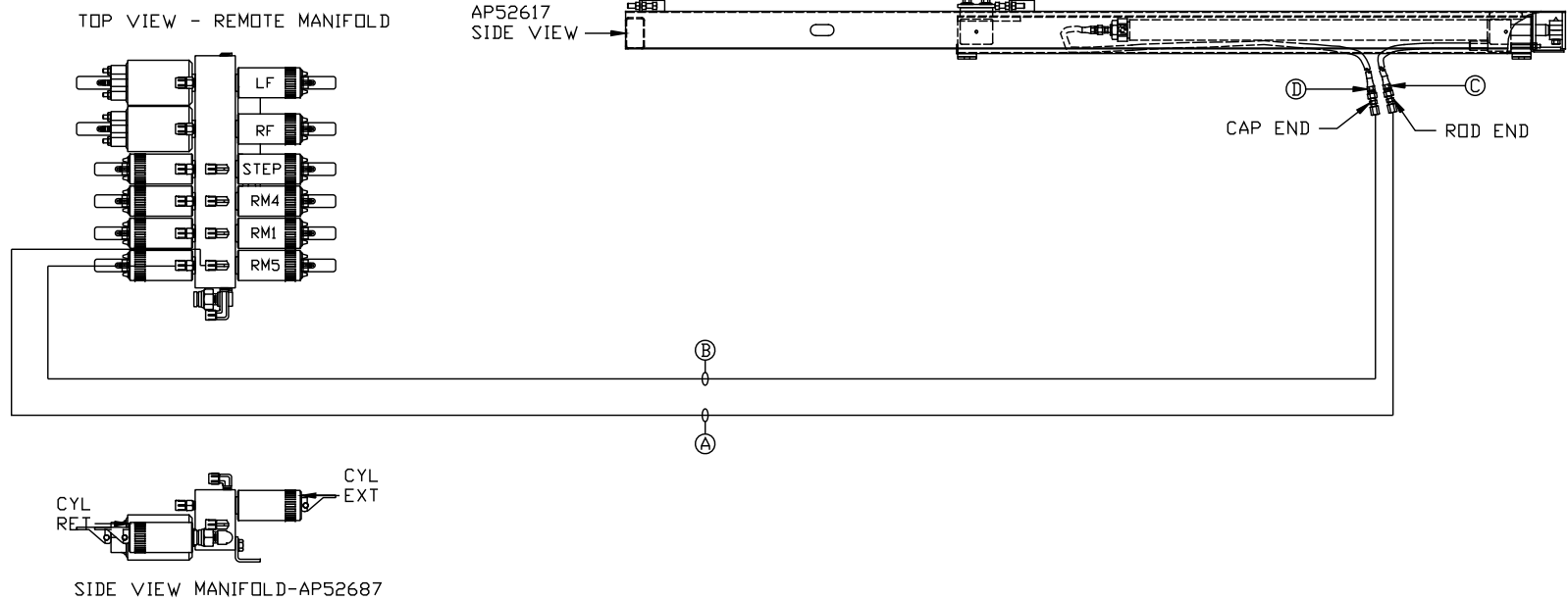
MP70699 D/G  
 23APR14

AP53559 HOSE KIT ROOM 5

NOTE: HOSES ③ AND ④ ARE INCLUDED WITH THE ROOM EXTENSION MECHANISM.

- ① AP5216 HOSE ASSY .25" x 312"  
ROD END - ALWAYS PRESSURIZED
- ② AP13851 HOSE ASSY .25" x 318"  
CAP END
- ③ AP24628 HOSE ASSY HWH02HP x 24.25"  
ROD END - ALWAYS PRESSURIZED
- ④ AP24632 HOSE ASSY HWH02HP x 48"  
CAP END

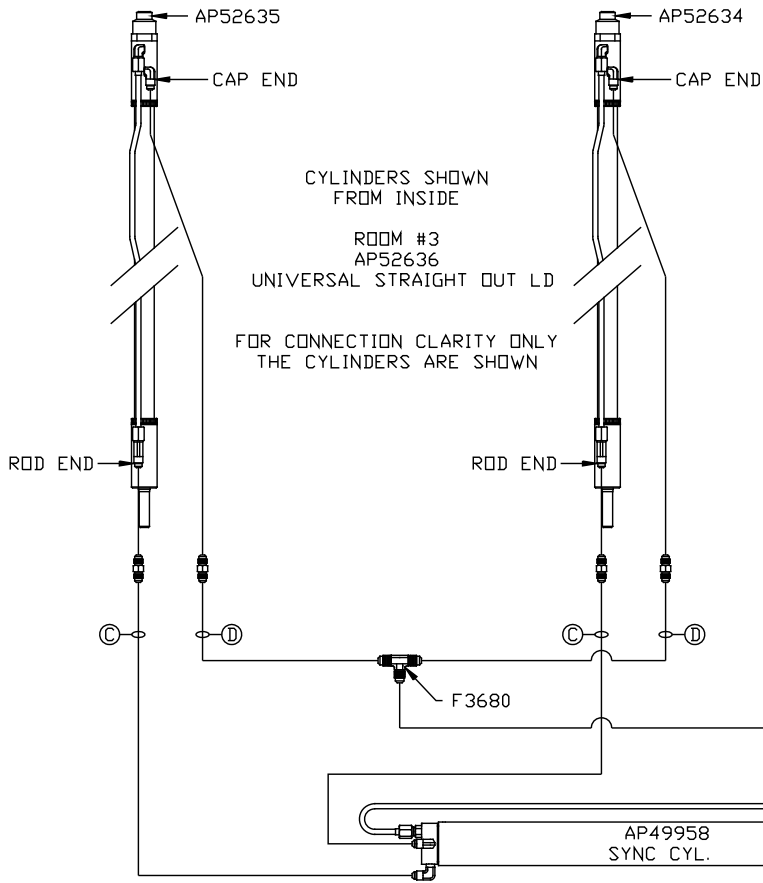
ROOM #5  
AP52050  
BED SLIDE KIT



NOTE: INSTALLATION MUST CONFORM TO GOOD SHOP PRACTICES, SAE STANDARDS, RVIA STANDARDS, AND OTHER APPLICABLE STANDARDS.

MP70699 E/G  
23APR14

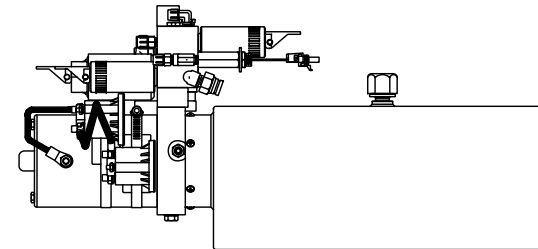
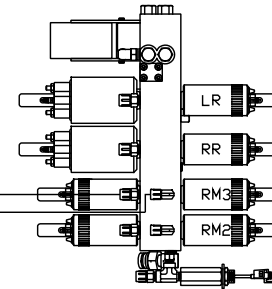
AP53557 HOSE KIT ROOM 3



- Ⓐ AP4827 HOSE ASSY .25" x 144"  
ROD END - ALWAYS PRESSURIZED
- Ⓑ AP16172 HOSE ASSY .25" x 150"  
CAP END
- Ⓒ AP51449 HOSE ASSY 03F x 120"  
ROD END - ALWAYS PRESSURIZED  
HOSES MUST MAINTAIN EQUAL  
LENGTH AND DIAMETER

- Ⓓ AP4062 HOSE ASSY .25" x 132"  
CAP END - HOSES MUST MAINTAIN  
EQUAL LENGTH AND DIAMETER

TOP VIEW - PUMP/MANIFOLD



SIDE VIEW PUMP/MANIFOLD-AP52686

LOCATION AND ORIENTATION OF  
PUMP/MANIFOLD ASSEMBLY WILL  
DIFFER DEPENDING UPON O.E.M.

NOTE: INSTALLATION MUST CONFORM TO GOOD SHOP PRACTICES, SAE  
STANDARDS, RVIA STANDARDS, AND OTHER APPLICABLE STANDARDS.

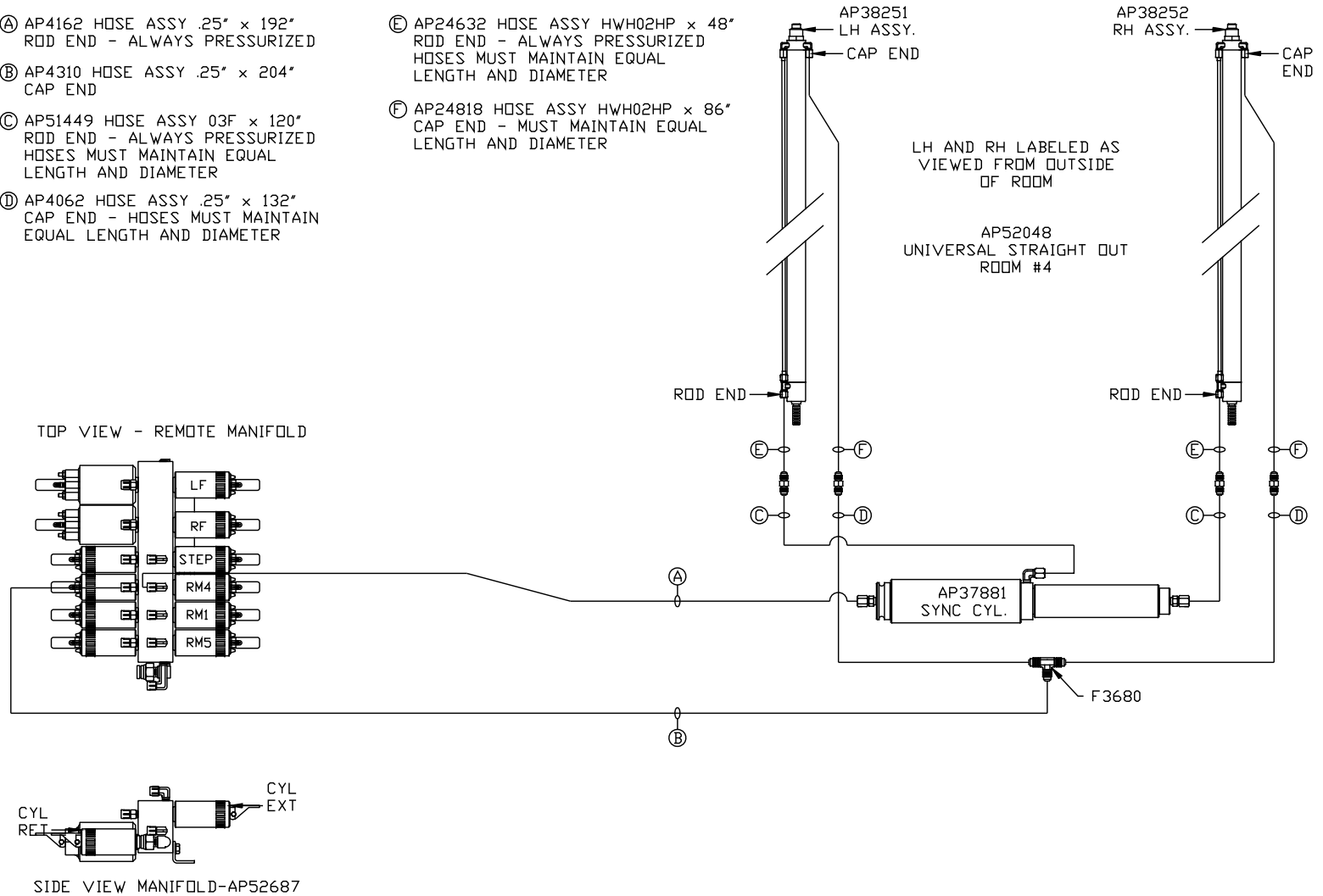
MP70699 F/G  
23APR14

AP53558 HOSE KIT ROOM #4

- Ⓐ AP4162 HOSE ASSY .25" x 192"  
ROD END - ALWAYS PRESSURIZED
- Ⓑ AP4310 HOSE ASSY .25" x 204"  
CAP END
- Ⓒ AP51449 HOSE ASSY 03F x 120"  
ROD END - ALWAYS PRESSURIZED  
HOSES MUST MAINTAIN EQUAL  
LENGTH AND DIAMETER
- Ⓓ AP4062 HOSE ASSY .25" x 132"  
CAP END - HOSES MUST MAINTAIN  
EQUAL LENGTH AND DIAMETER

NOTE: HOSES Ⓔ AND Ⓕ ARE INCLUDED  
WITH THE ROOM EXTENSION MECHANISM

- Ⓔ AP24632 HOSE ASSY HWH02HP x 48"  
ROD END - ALWAYS PRESSURIZED  
HOSES MUST MAINTAIN EQUAL  
LENGTH AND DIAMETER
- Ⓕ AP24818 HOSE ASSY HWH02HP x 86"  
CAP END - MUST MAINTAIN EQUAL  
LENGTH AND DIAMETER



NOTE: INSTALLATION MUST CONFORM TO GOOD SHOP PRACTICES, SAE  
STANDARDS, RVIA STANDARDS, AND OTHER APPLICABLE STANDARDS.

MP70699 G/G  
23APR14