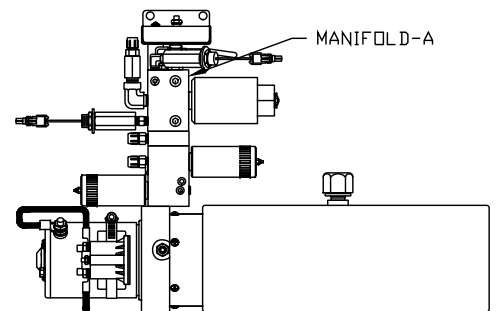
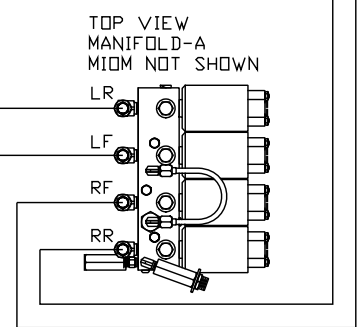
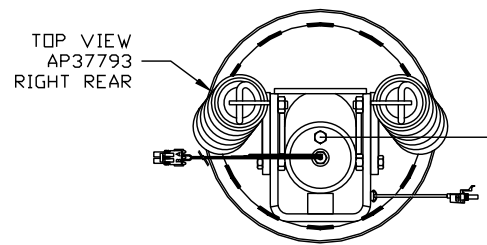
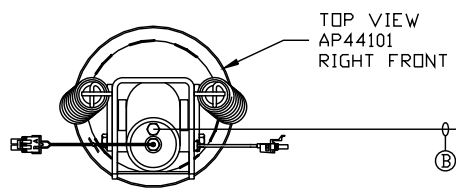


ORIENTATION
← FRONT

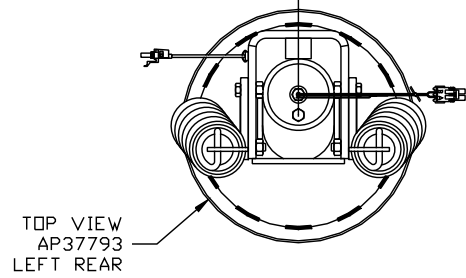
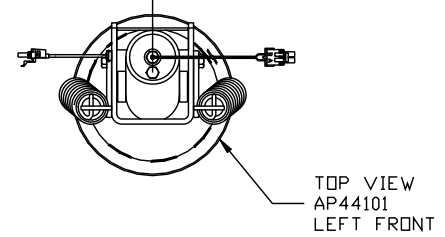


SIDE VIEW PUMP/MANIFOLD-AP50912

LOCATION AND ORIENTATION OF
PUMP/MANIFOLD ASSEMBLY WILL
DIFFER DEPENDING UPON O.E.M.

- Ⓐ AP7832 HOSE ASSY .25" x 100"
- Ⓑ AP4669 HOSE ASSY .25" x 408"
- Ⓒ AP7130 HOSE ASSY .25" x 412"
- Ⓓ AP4161 HOSE ASSY .25" x 120"

CROSS TIES REQUIRED FOR
FRONT AND REAR JACKS

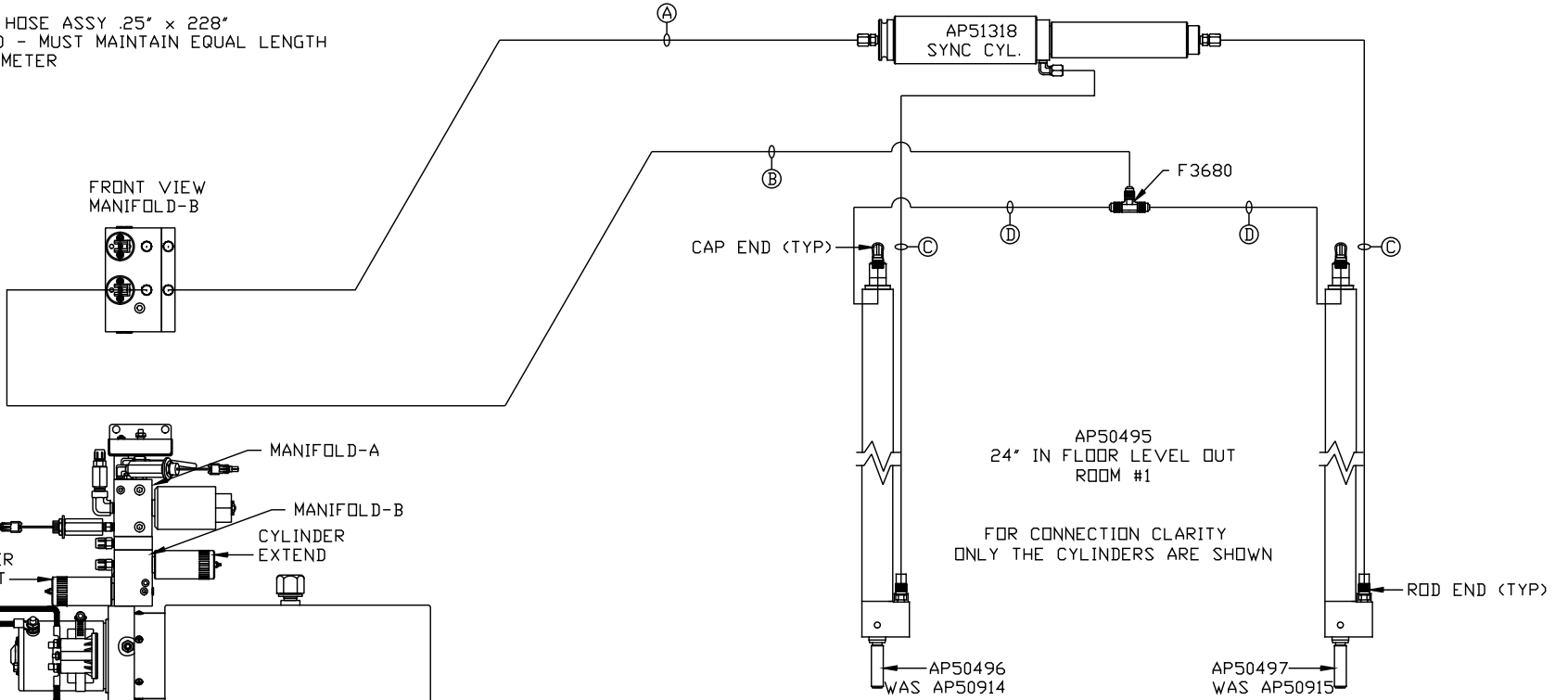


NOTE: INSTALLATION MUST CONFORM TO GOOD SHOP PRACTICES, SAE STANDARDS, RVIA STANDARDS, AND OTHER APPLICABLE STANDARDS.

1	08MAY15	UPD CYLINDERS
NO.	DATE	REVISION
SYNC KIT: AP52762		
PUMP KIT: AP50865	THE INFORMATION DISCLOSED ON THIS DRAWING IS CONFIDENTIAL AND MUST NOT BE DISCLOSED OR USED IN ANY MANNER WHICH WILL BE DETRIMENTAL TO THE HWH CORPORATION	
JACK KIT: AP48120		

HWH			I-80 EXIT 267 SOUTH RT 1 MOSCOW, IOWA 52760		
SCALE 1:6	DATE 25OCT13	DRAWN BY .			
HYD CONN DIAGRAM					
TIFFIN				DRAWING NUMBER MP70700 A/C	

- Ⓐ AP4948 HOSE ASSY .25" x 390"
ROD END - ALWAYS PRESSURIZED
- Ⓑ AP4391 HOSE ASSY .25" x 372"
CAP END
- Ⓒ AP49438 HOSE ASSY 03" x 192"
ROD END - ALWAYS PRESSURIZED - MUST
MAINTAIN EQUAL LENGTH AND DIAMETER
- Ⓓ AP5924 HOSE ASSY .25" x 228"
CAP END - MUST MAINTAIN EQUAL LENGTH
AND DIAMETER

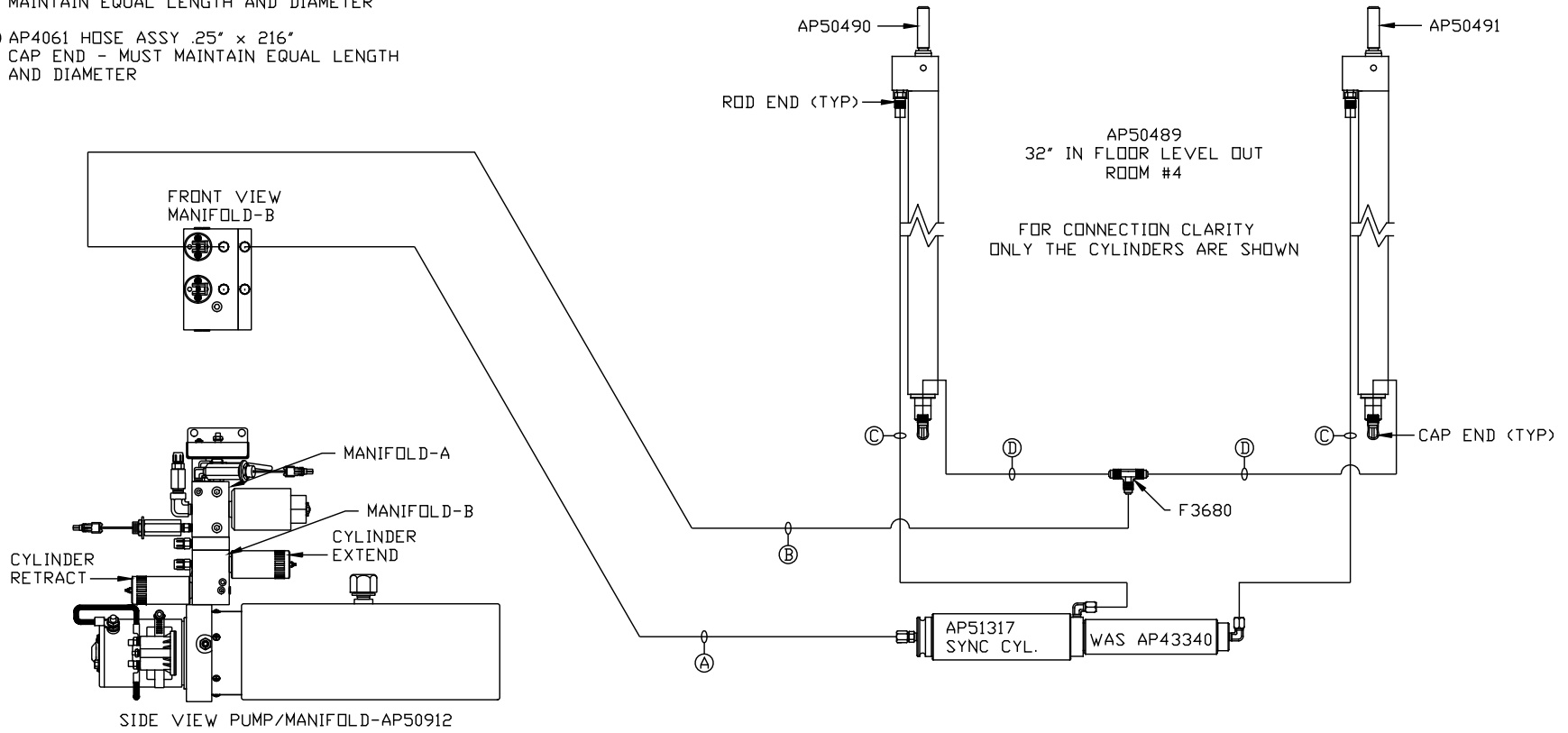


SIDE VIEW PUMP/MANIFOLD-AP50912

LOCATION AND ORIENTATION OF
PUMP/MANIFOLD ASSEMBLY WILL
DIFFER DEPENDING UPON O.E.M.

NOTE: INSTALLATION MUST CONFORM TO GOOD SHOP PRACTICES, SAE
STANDARDS, RVIA STANDARDS, AND OTHER APPLICABLE STANDARDS.

- Ⓐ AP4164 HOSE ASSY .25" x 384"
ROD END - ALWAYS PRESSURIZED
- Ⓑ AP4731 HOSE ASSY .25" x 368"
CAP END
- Ⓒ AP49517 HOSE ASSY 03 x 180"
ROD END - ALWAYS PRESSURIZED - MUST
MAINTAIN EQUAL LENGTH AND DIAMETER
- Ⓓ AP4061 HOSE ASSY .25" x 216"
CAP END - MUST MAINTAIN EQUAL LENGTH
AND DIAMETER



LOCATION AND ORIENTATION OF
PUMP/MANIFOLD ASSEMBLY WILL
DIFFER DEPENDING UPON O.E.M.

NOTE: INSTALLATION MUST CONFORM TO GOOD SHOP PRACTICES, SAE
STANDARDS, RVIA STANDARDS, AND OTHER APPLICABLE STANDARDS.

MP70700 C/C
08MAY15