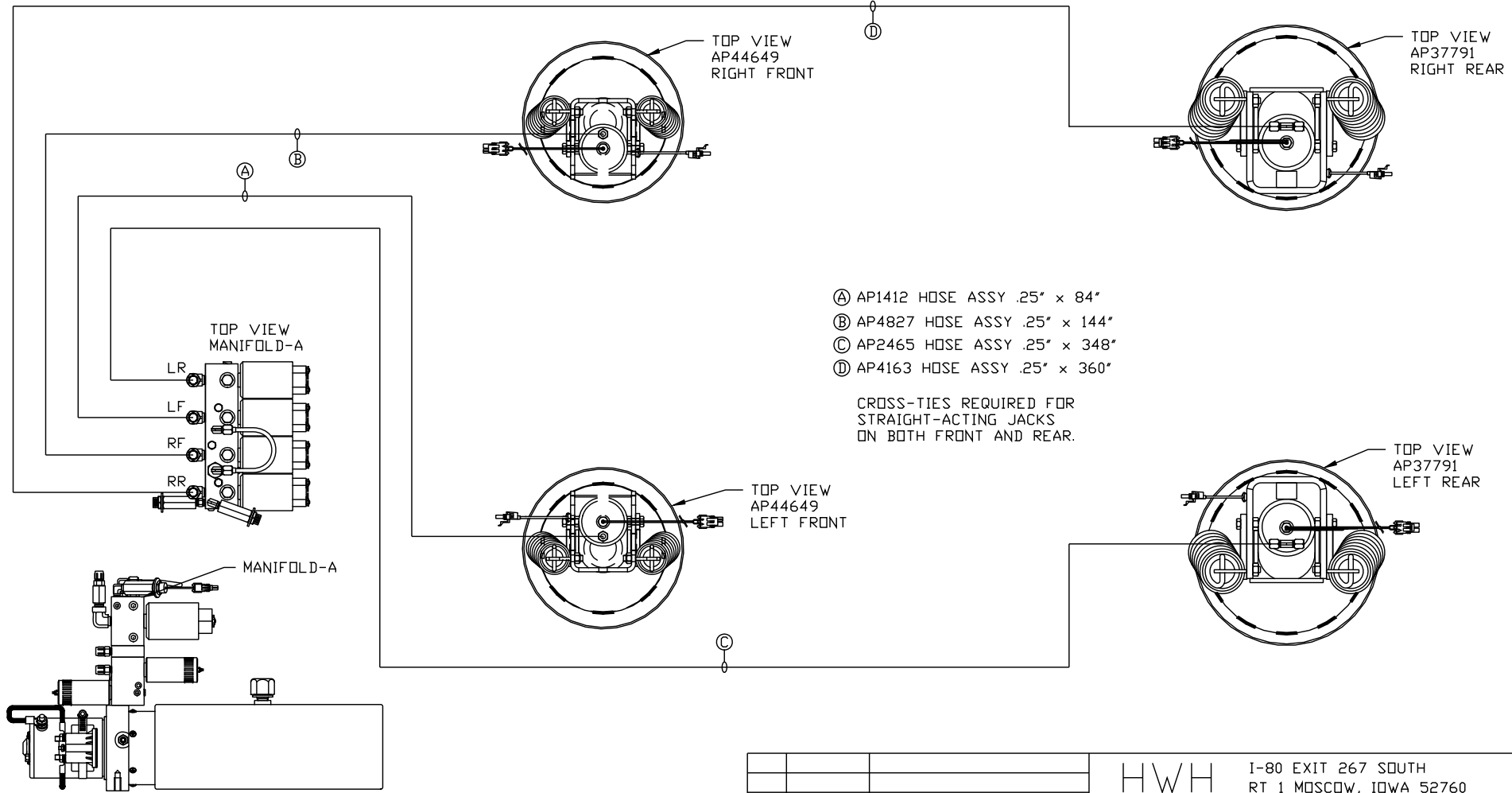
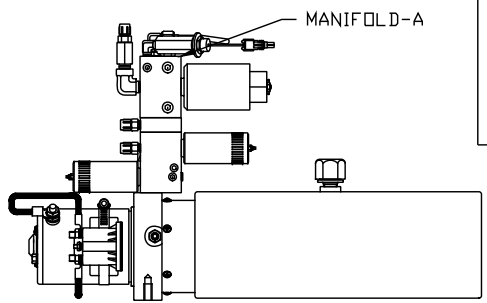


ORIENTATION  
 ← FRONT



- Ⓐ AP1412 HOSE ASSY .25" x 84"
- Ⓑ AP4827 HOSE ASSY .25" x 144"
- Ⓒ AP2465 HOSE ASSY .25" x 348"
- Ⓓ AP4163 HOSE ASSY .25" x 360"

CROSS-TIES REQUIRED FOR STRAIGHT-ACTING JACKS ON BOTH FRONT AND REAR.



SIDE VIEW PUMP/MANIFOLD-AP51790

LOCATION AND ORIENTATION OF PUMP/MANIFOLD ASSEMBLY WILL DIFFER DEPENDING UPON O.E.M.

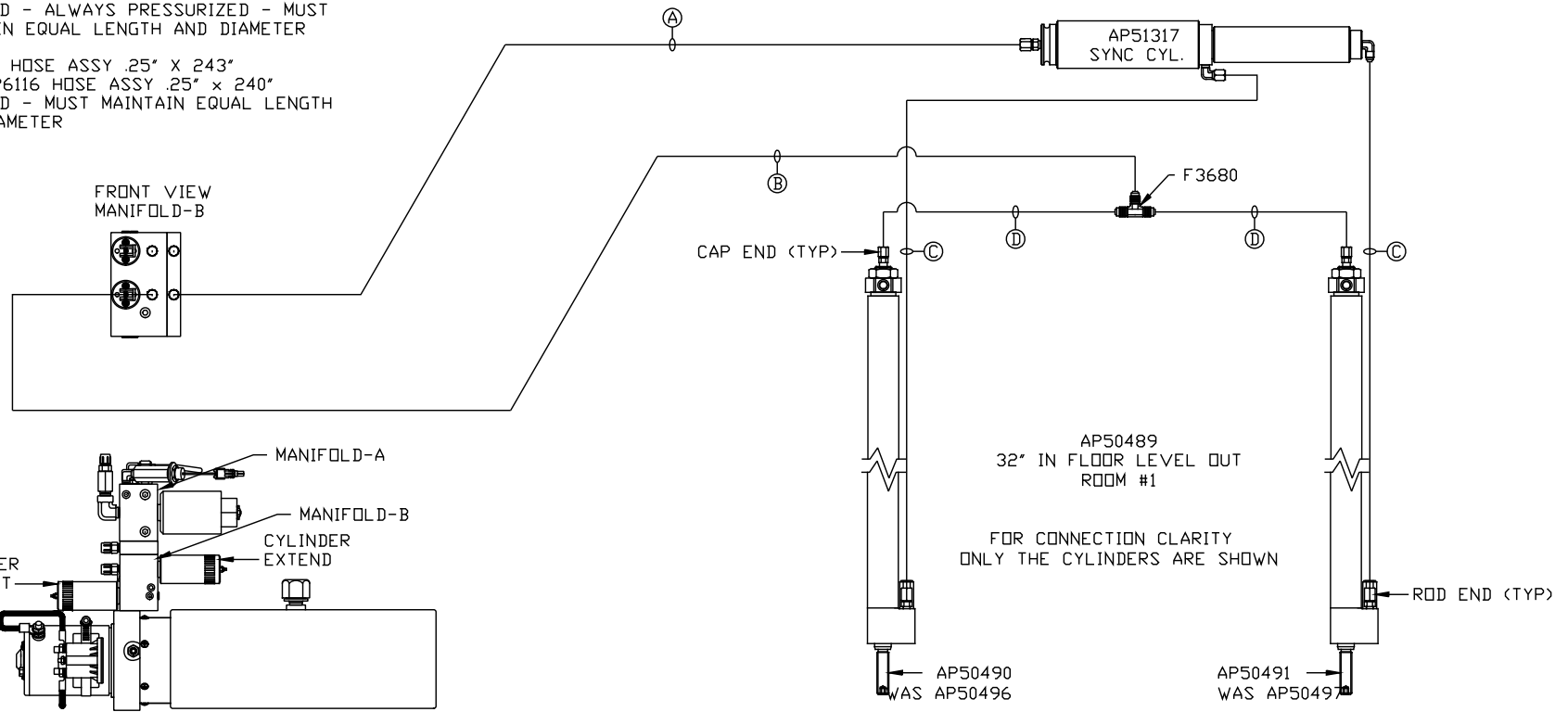
NOTE: INSTALLATION MUST CONFORM TO GOOD SHOP PRACTICES, SAE STANDARDS, RVIA STANDARDS, AND OTHER APPLICABLE STANDARDS.

|  |         |                      |
|--|---------|----------------------|
| NO.  | DATE    | REVISION             |
| 1  | 08MAY15 | UPD HOSES, CYLINDERS |
| SYNC KIT: AP51795<br>PUMP KIT: AP51752<br>JACK KIT: AP52289  |         |                      |
| THE INFORMATION DISCLOSED ON THIS DRAWING IS CONFIDENTIAL AND MUST NOT BE DISCLOSED OR USED IN ANY MANNER WHICH WILL BE DETRIMENTAL TO THE HWH CORPORATION |         |                      |

|   |              |                                      |
|---|--------------|--------------------------------------|
| <b>HWH</b> I-80 EXIT 267 SOUTH<br>RT 1 MOSCOW, IOWA 52760 |              |                                      |
| SCALE 1:6   | DATE 25OCT13 | DRAWN BY .                           |
| <b>HYD CONN DIAGRAM</b>                                   |              |                                      |
| <b>TIFFIN</b>   |              | DRAWING NUMBER<br><b>MP70703 A/C</b> |

ORIENTATION  
← FRONT

- Ⓐ AP5352 HOSE ASSY .25" x 96"  
WAS AP3314 HOSE ASSY .25" x 48"  
ROD END - ALWAYS PRESSURIZED
- Ⓑ AP10566 HOSE ASSY .25" x 102"  
WAS AP3314 HOSE ASSY .25" x 48"  
CAP END
- Ⓒ AP51940 HOSE ASSY 03 x 198"  
ROD END - ALWAYS PRESSURIZED - MUST  
MAINTAIN EQUAL LENGTH AND DIAMETER
- Ⓓ AP5966 HOSE ASSY .25" X 243"  
WAS AP6116 HOSE ASSY .25" x 240"  
CAP END - MUST MAINTAIN EQUAL LENGTH  
AND DIAMETER

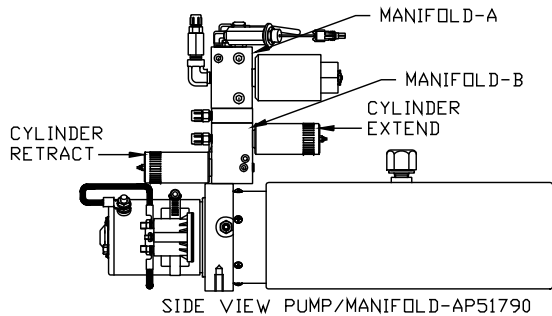


SIDE VIEW PUMP/MANIFOLD-AP51790  
LOCATION AND ORIENTATION OF  
PUMP/MANIFOLD ASSEMBLY WILL  
DIFFER DEPENDING UPON O.E.M.

NOTE: INSTALLATION MUST CONFORM TO GOOD SHOP PRACTICES, SAE  
STANDARDS, RVIA STANDARDS, AND OTHER APPLICABLE STANDARDS.

- Ⓐ AP4074 HOSE ASSY .25" x 108"  
WAS AP4827 HOSE ASSY .25" x 144"  
ROD END - ALWAYS PRESSURIZED
- Ⓑ AP4161 HOSE ASSY .25" x 120"  
WAS AP6115 HOSE ASSY .25" x 168"  
CAP END
- Ⓒ AP50600 HOSE ASSY 03 x 246" MF  
ROD END - ALWAYS PRESSURIZED - MUST  
MAINTAIN EQUAL LENGTH AND DIAMETER
- Ⓓ AP6116 HOSE ASSY .25" x 240"  
CAP END - MUST MAINTAIN EQUAL LENGTH  
AND DIAMETER

FRONT VIEW  
MANIFOLD-B



LOCATION AND ORIENTATION OF  
PUMP/MANIFOLD ASSEMBLY WILL  
DIFFER DEPENDING UPON O.E.M.

NOTE: INSTALLATION MUST CONFORM TO GOOD SHOP PRACTICES, SAE  
STANDARDS, RVIA STANDARDS, AND OTHER APPLICABLE STANDARDS.

