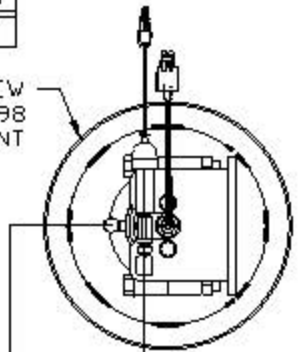


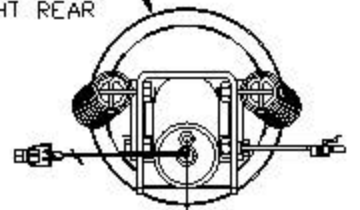
ORIENTATION
FRONT

TOP VIEW
AP43998
RIGHT FRONT

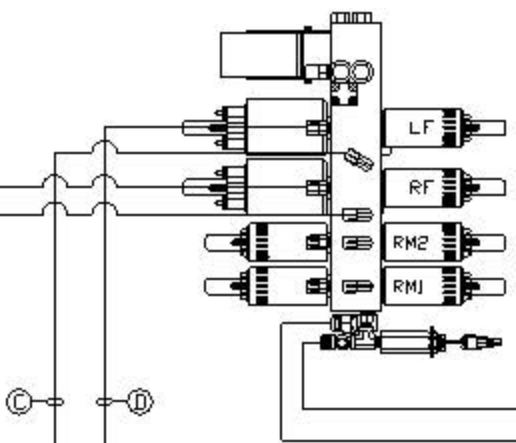
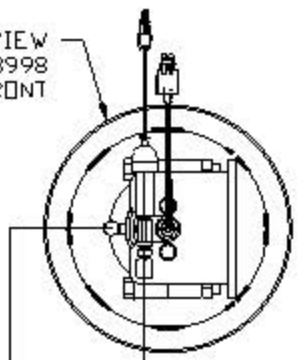


- (A) HOSE ASSY .25" ID
ROD END RIGHT FRONT JACK
- (B) HOSE ASSY .25/05
CAP END RIGHT FRONT JACK
- (C) HOSE ASSY .25" ID
ROD END LEFT FRONT JACK
- (D) HOSE ASSY .25/05
CAP END LEFT FRONT JACK
- (E) HOSE ASSY .25" ID
CAP END LEFT REAR JACK
- (F) HOSE ASSY .25" ID
CAP END RIGHT REAR JACK
- (G) HOSE ASSY .25" ID
PRESSURE
- (H) RETURN LINE .5" RETURN

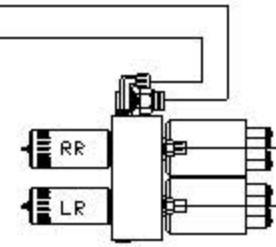
TOP VIEW
AP43876
RIGHT REAR



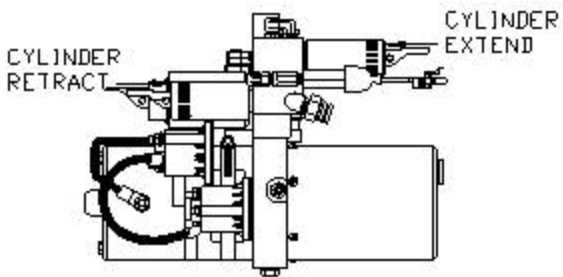
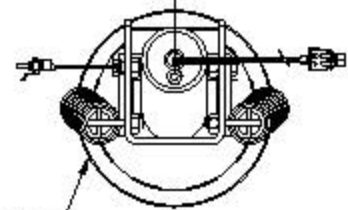
TOP VIEW
AP43998
LEFT FRONT



TOP VIEW
MANIFOLD
AP44758



TOP VIEW
AP43876
LEFT REAR



SIDE VIEW PUMP/MANIFOLD-AP52925

LOCATION AND ORIENTATION OF PUMP/MANIFOLD ASSEMBLY WILL DIFFER DEPENDING UPON D.E.M.

NOTE: INSTALLATION MUST CONFORM TO GOOD SHOP PRACTICES, SAE STANDARDS, RVIA STANDARDS, AND OTHER APPLICABLE STANDARDS.

LEVELING SYSTEM: AP52922

NO.	DATE	REVISION

HWH I-80 EXIT 267 SOUTH
RT 1 MOSCOW, IOWA 52760
SCALE 1:6 DATE 25NOV13 DRAWN BY .

HYD CONN DIAGRAM

THE INFORMATION DISCLOSED ON THIS DRAWING IS CONFIDENTIAL AND MUST NOT BE DISCLOSED OR USED IN ANY MANNER WHICH WILL BE DETRIMENTAL TO THE HWH CORPORATION

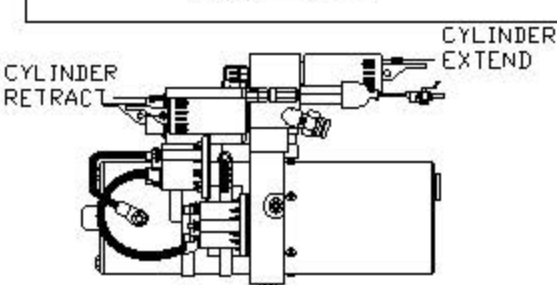
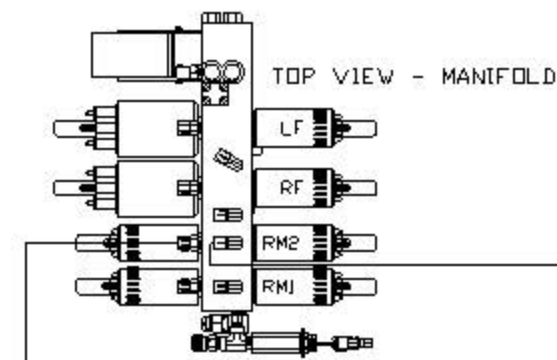
ROLLINGSTAR

DRAWING NUMBER
MP70715 A/C

- Ⓐ .25" ID HOSE
ROD END - ALWAYS PRESSURIZED
- Ⓑ .25" ID HOSE
CAP END (ROOM)
- Ⓒ .25" ID HOSE
ROD END - ALWAYS PRESSURIZED (LIFT)
- Ⓓ .25" ID HOSE
CAP END (ROOM)
- Ⓔ .25" ID HOSE
CAP END (LIFT)
- Ⓕ .25" ID HOSE
CAP END (ROOM)

NOTE: HOSES ① AND ② ARE INCLUDED WITH THE ROOM EXTENSION MECHANISM

- Ⓖ .03 HOSE
ROD END - ALWAYS PRESSURIZED - HOSES MUST MAINTAIN EQUAL LENGTH AND DIAMETER
- Ⓗ .25" ID HOSE
CAP END - HOSES MUST MAINTAIN EQUAL LENGTH AND DIAMETER
- ① AP24632 HOSE ASSY HWH02HP x 48"
ROD END - ALWAYS PRESSURIZED - HOSES MUST MAINTAIN EQUAL LENGTH AND DIAMETER
- ② AP24818 HOSE ASSY HWH02HP x 86"
CAP END - MUST MAINTAIN EQUAL LENGTH AND DIAMETER
- Ⓚ .25" ID HOSE CAP END (LIFT)
MUST MAINTAIN EQUAL LENGTH AND DIAMETER
- Ⓛ .25" ID HOSE ROD END (LIFT)
ALWAYS PRESSURIZED - MUST MAINTAIN EQUAL LENGTH AND DIAMETER



LOCATION AND ORIENTATION OF PUMP/MANIFOLD ASSEMBLY WILL DIFFER DEPENDING UPON O.E.M.

NOTE: GENERIC VIEWS FOR CLARITY. CYLINDERS MAY BE REVERSED

NOTE: INSTALLATION MUST CONFORM TO GOOD SHOP PRACTICES, SAE STANDARDS, RVIA STANDARDS, AND OTHER APPLICABLE STANDARDS.

