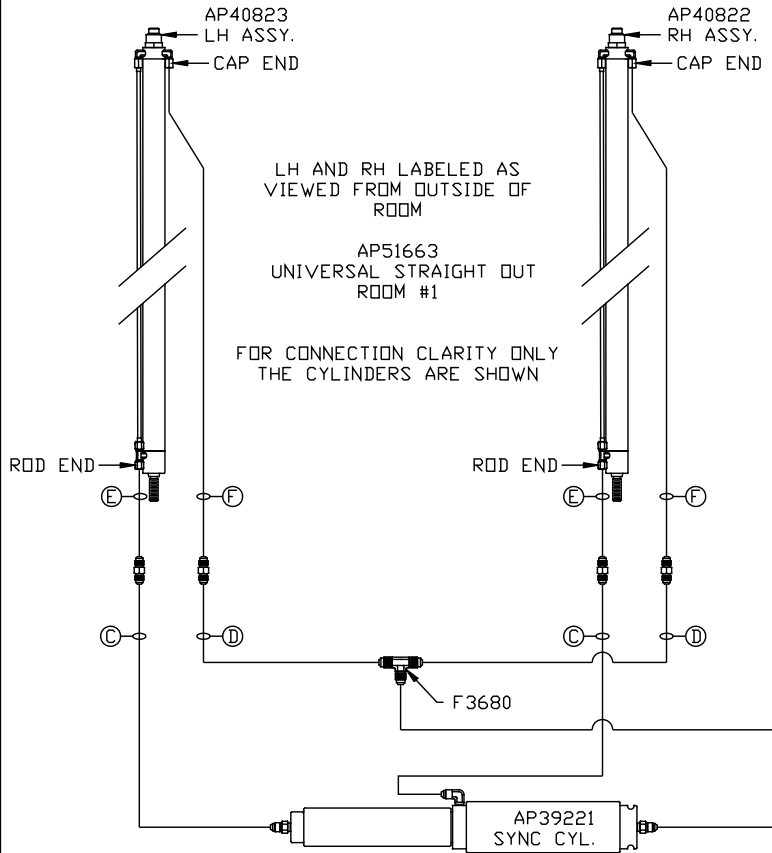
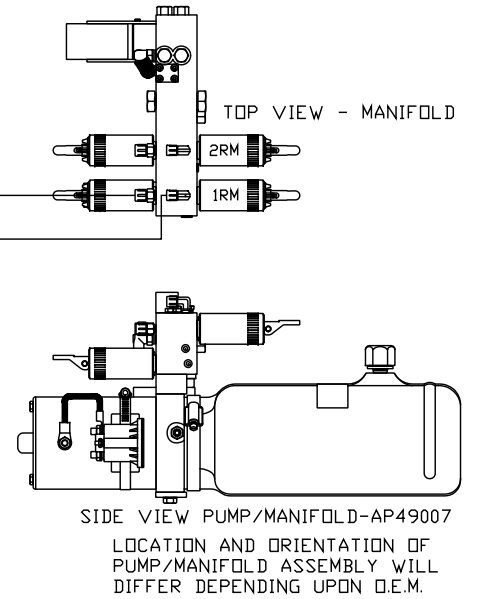


NOTE: HOSES (E) AND (F) ARE INCLUDED WITH THE ROOM EXTENSION MECHANISM



- (A) HOSE ASSY .25" ID
ROD END - ALWAYS PRESSURIZED
- (B) HOSE ASSY .25" ID
CAP END
- (C) HOSE ASSY .125" ID OR 03
ROD END - ALWAYS PRESSURIZED
HOSES MUST MAINTAIN EQUAL
LENGTH AND DIAMETER
- (D) HOSE ASSY .25" ID
CAP END - HOSES MUST MAINTAIN
EQUAL LENGTH AND DIAMETER

- (E) AP24632 HOSE ASSY HWH02HP x 48"
ROD END - ALWAYS PRESSURIZED -
HOSES MUST MAINTAIN EQUAL
LENGTH AND DIAMETER
- (F) AP24818 HOSE ASSY HWH02HP x 86"
CAP END - MUST MAINTAIN EQUAL
LENGTH AND DIAMETER



NOTE: INSTALLATION MUST CONFORM TO GOOD SHOP PRACTICES, SAE STANDARDS, RVIA STANDARDS, AND OTHER APPLICABLE STANDARDS.

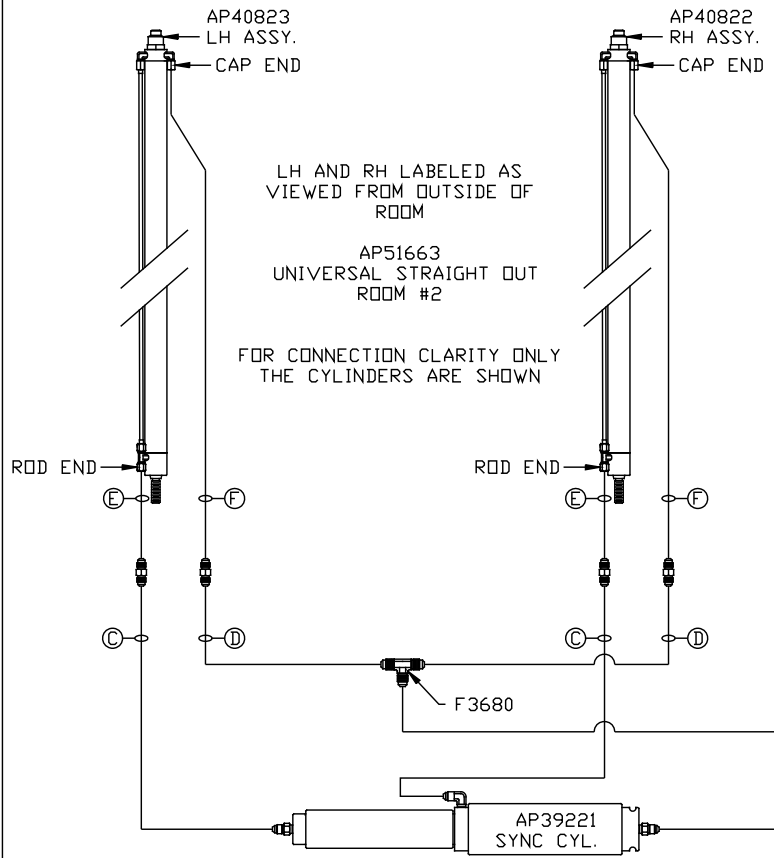
CONTROL PACKAGE: AP51664

| NO. | DATE | REVISION |
|-----|------|----------|

THE INFORMATION DISCLOSED ON THIS DRAWING IS CONFIDENTIAL AND MUST NOT BE DISCLOSED OR USED IN ANY MANNER WHICH WILL BE DETRIMENTAL TO THE HWH CORPORATION

| | | | | | |
|------------------|--------------|------------|--|-------------------------------|--|
| HWH | | | I-80 EXIT 267 SOUTH RT 1 MOSCOW, IOWA 52760 | | |
| SCALE 1:6 | DATE 09DEC13 | DRAWN BY . | | | |
| HYD CONN DIAGRAM | | | | | |
| WSI CORPORATION | | | | DRAWING NUMBER MP70724 A/B | |

NOTE: HOSES (E) AND (F) ARE INCLUDED WITH THE ROOM EXTENSION MECHANISM



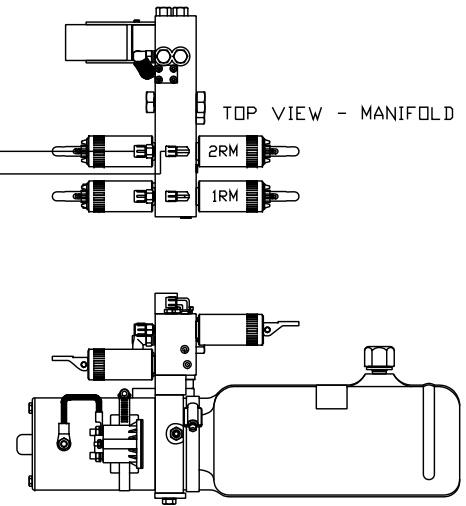
LH AND RH LABELED AS VIEWED FROM OUTSIDE OF ROOM

AP51663
UNIVERSAL STRAIGHT OUT ROOM #2

FOR CONNECTION CLARITY ONLY THE CYLINDERS ARE SHOWN

- (A) HOSE ASSY .25" ID
ROD END - ALWAYS PRESSURIZED
- (B) HOSE ASSY .25" ID
CAP END
- (C) HOSE ASSY .125" ID OR 03
ROD END - ALWAYS PRESSURIZED
HOSES MUST MAINTAIN EQUAL LENGTH AND DIAMETER
- (D) HOSE ASSY .25" ID
CAP END - HOSES MUST MAINTAIN EQUAL LENGTH AND DIAMETER

- (E) AP24632 HOSE ASSY HWH02HP x 48"
ROD END - ALWAYS PRESSURIZED - HOSES MUST MAINTAIN EQUAL LENGTH AND DIAMETER
- (F) AP24818 HOSE ASSY HWH02HP x 86"
CAP END - MUST MAINTAIN EQUAL LENGTH AND DIAMETER



SIDE VIEW PUMP/MANIFOLD-AP49007

LOCATION AND ORIENTATION OF PUMP/MANIFOLD ASSEMBLY WILL DIFFER DEPENDING UPON O.E.M.

NOTE: INSTALLATION MUST CONFORM TO GOOD SHOP PRACTICES, SAE STANDARDS, RVIA STANDARDS, AND OTHER APPLICABLE STANDARDS.

MP70724 B/B
09DEC13