

NOTE: INSTALLATION MUST CONFORM TO GOOD SHOP PRACTICES, SAE STANDARDS, RVIA STANDARDS, AND OTHER APPLICABLE STANDARDS.

LEVELING SYSTEM: AP52987

△	06MAY15	CORR. CAP/ROD,ADD NOTE
NO.	DATE	REVISION

HWH I-80 EXIT 267 SOUTH
RT 1 MOSCOW, IOWA 52760

SCALE 1:6 DATE 17DEC13 DRAWN BY .

HYD CONN DIAGRAM

FARBER

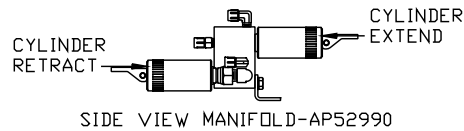
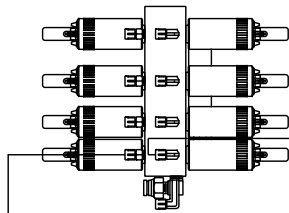
DRAWING NUMBER
MP70744 A/E

THE INFORMATION DISCLOSED ON THIS DRAWING IS CONFIDENTIAL AND MUST NOT BE DISCLOSED OR USED IN ANY MANNER WHICH WILL BE DETRIMENTAL TO THE HWH CORPORATION

- Ⓐ .25" ID HOSE
ROD END - ALWAYS PRESSURIZED
- Ⓑ .25" ID HOSE
CAP END (ROOM)
- Ⓒ .25" ID HOSE
ROD END - ALWAYS PRESSURIZED (LIFT)
- Ⓓ .25" ID HOSE
CAP END (ROOM)
- Ⓔ .25" ID HOSE
CAP END (LIFT)
- Ⓕ .25" ID HOSE
CAP END (ROOM)

- NOTE: HOSES Ⓘ AND Ⓧ ARE INCLUDED WITH THE ROOM EXTENSION MECHANISM
- Ⓖ .188" ID HOSE
ROD END - ALWAYS PRESSURIZED
HOSES MUST BE HIGH PRESSURE
HOSES OF EQUAL LENGTH AND DIAMETER
 - Ⓧ .25" ID HOSE
CAP END - HOSES MUST MAINTAIN
EQUAL LENGTH AND DIAMETER
 - Ⓨ AP24632 HOSE ASSY HWH02HP x 48"
ROD END - ALWAYS PRESSURIZED -
MUST BE HIGH PRESSURE HOSES OF
EQUAL LENGTH AND DIAMETER
 - Ⓩ AP24818 HOSE ASSY HWH02HP x 86"
CAP END - MUST MAINTAIN EQUAL
LENGTH AND DIAMETER
 - Ⓚ .25" ID HOSE CAP END (LIFT)
MUST MAINTAIN EQUAL LENGTH
AND DIAMETER
 - Ⓛ .25" ID HOSE ROD END (LIFT)
ALWAYS PRESSURIZED - MUST MAINTAIN
EQUAL LENGTH AND DIAMETER

TOP VIEW
MANIFOLD

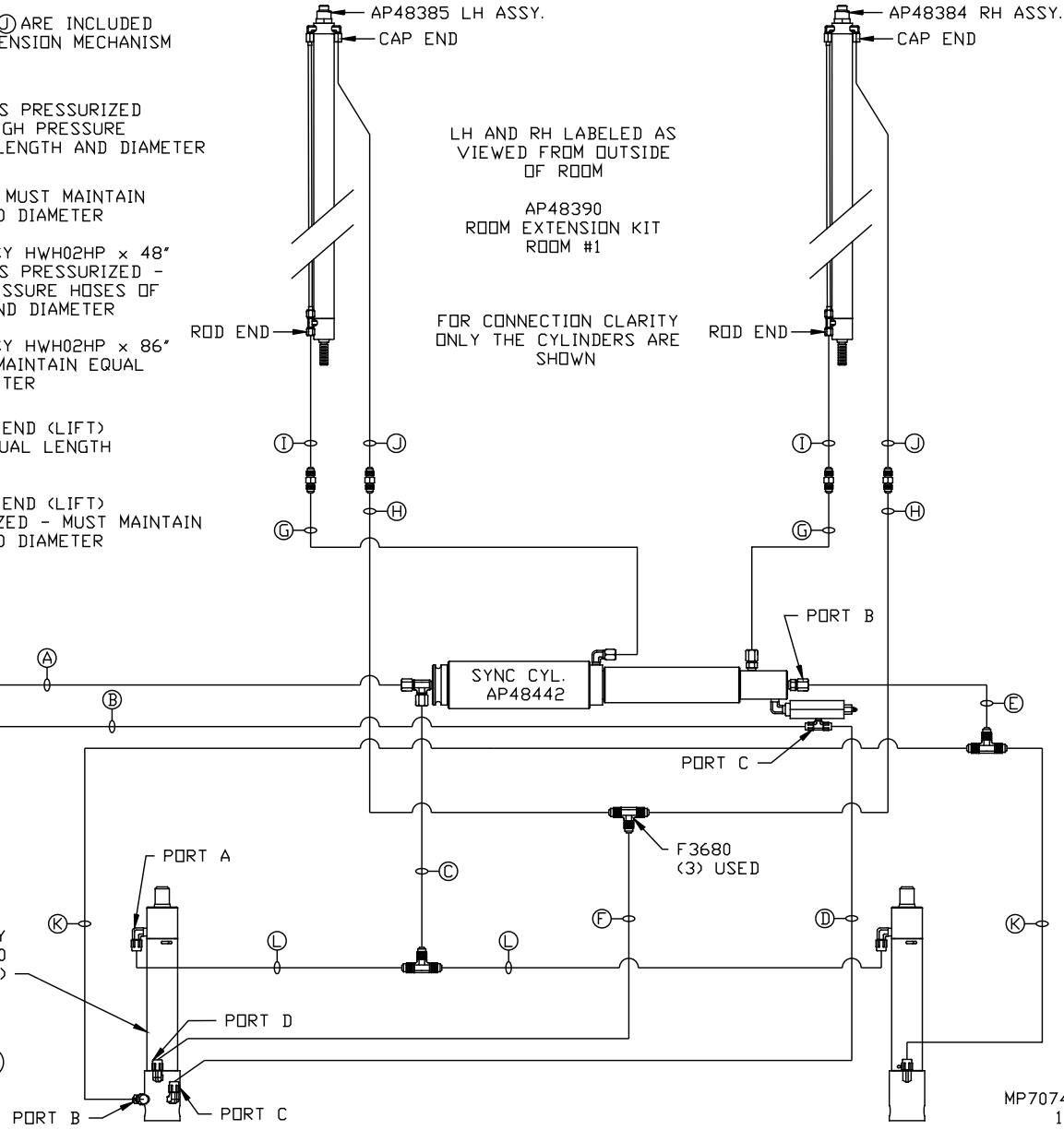


LOCATION AND ORIENTATION OF
PUMP/MANIFOLD ASSEMBLY WILL
DIFFER DEPENDING UPON O.E.M.

CYL ASSY
(PART OF AP52980
PLATFORM ASSY.)

NOTE: GENERIC VIEWS FOR CLARITY. CYLINDERS MAY BE REVERSED

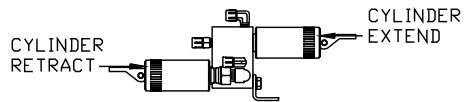
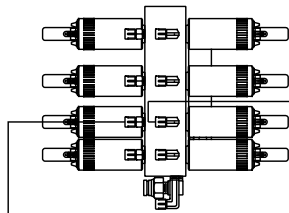
NOTE: INSTALLATION MUST CONFORM TO GOOD SHOP PRACTICES, SAE
STANDARDS, RVIA STANDARDS, AND OTHER APPLICABLE STANDARDS.



- Ⓐ .25" ID HOSE
ROD END - ALWAYS PRESSURIZED
- Ⓑ .25" ID HOSE
CAP END (ROOM)
- Ⓒ .25" ID HOSE
ROD END - ALWAYS PRESSURIZED (LIFT)
- Ⓓ .25" ID HOSE
CAP END (ROOM)
- Ⓔ .25" ID HOSE
CAP END (LIFT)
- Ⓕ .25" ID HOSE
CAP END (ROOM)

- NOTE: HOSES Ⓘ AND Ⓧ ARE INCLUDED WITH THE ROOM EXTENSION MECHANISM
- Ⓒ .188" ID HOSE
ROD END - ALWAYS PRESSURIZED
HOSES MUST BE HIGH PRESSURE
HOSES OF EQUAL LENGTH AND DIAMETER
 - Ⓗ .25" ID HOSE
CAP END - HOSES MUST MAINTAIN
EQUAL LENGTH AND DIAMETER
 - Ⓛ AP24632 HOSE ASSY HWH02HP x 48"
ROD END - ALWAYS PRESSURIZED -
MUST BE HIGH PRESSURE HOSES OF
EQUAL LENGTH AND DIAMETER
 - Ⓜ AP24818 HOSE ASSY HWH02HP x 86"
CAP END - MUST MAINTAIN EQUAL
LENGTH AND DIAMETER
 - Ⓨ .25" ID HOSE CAP END (LIFT)
MUST MAINTAIN EQUAL LENGTH
AND DIAMETER
 - Ⓩ .25" ID HOSE ROD END (LIFT)
ALWAYS PRESSURIZED - MUST MAINTAIN
EQUAL LENGTH AND DIAMETER

TOP VIEW
MANIFOLD



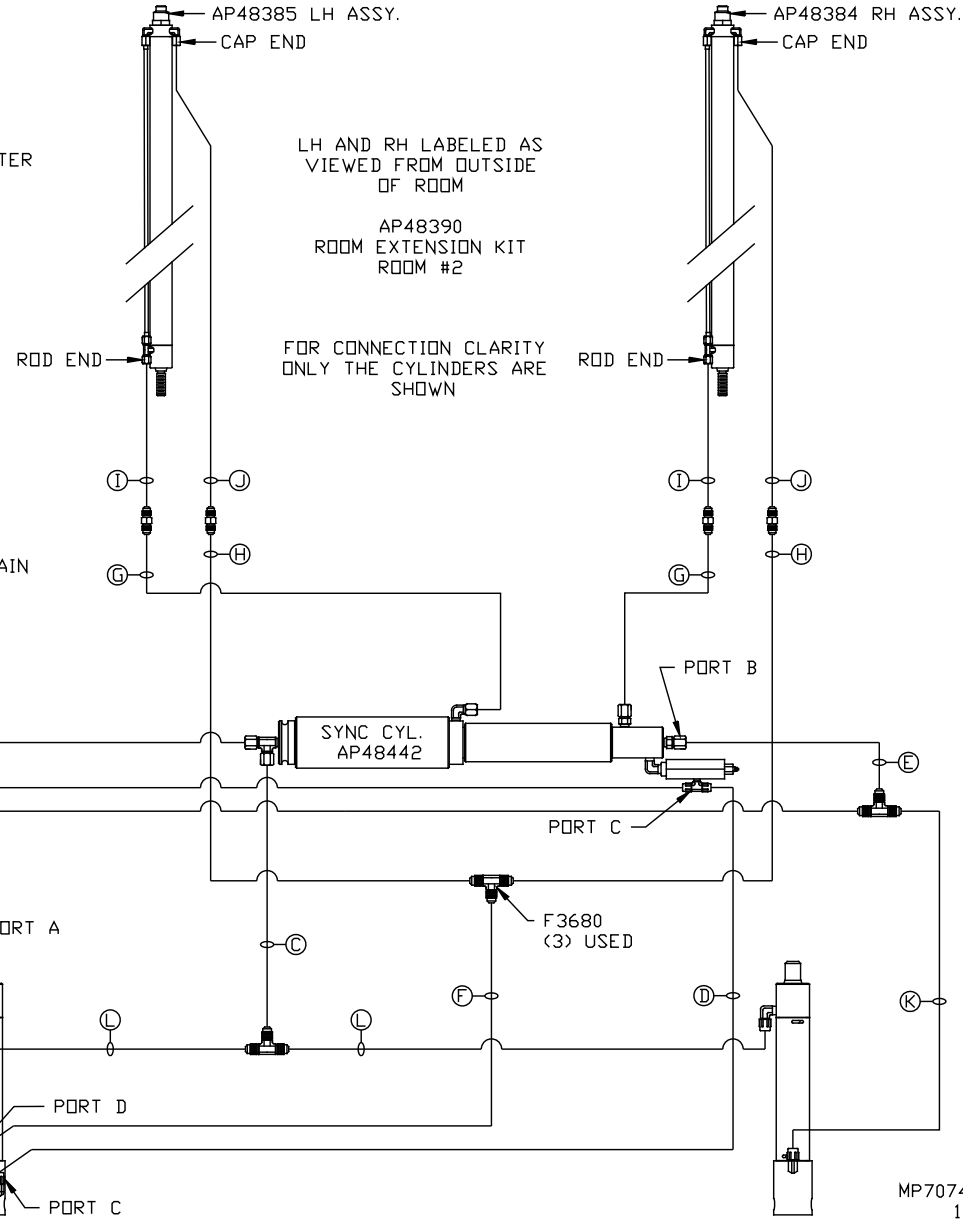
SIDE VIEW MANIFOLD-AP52990

LOCATION AND ORIENTATION OF
PUMP/MANIFOLD ASSEMBLY WILL
DIFFER DEPENDING UPON O.E.M.

CYL ASSY
(PART OF AP52983
PLATFORM ASSY.)

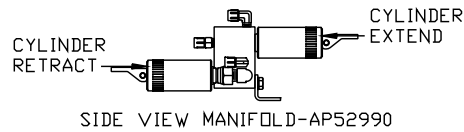
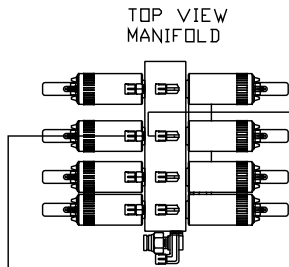
NOTE: GENERIC VIEWS FOR CLARITY. CYLINDERS MAY BE REVERSED

NOTE: INSTALLATION MUST CONFORM TO GOOD SHOP PRACTICES, SAE
STANDARDS, RVIA STANDARDS, AND OTHER APPLICABLE STANDARDS.



- Ⓐ .25" ID HOSE
ROD END - ALWAYS PRESSURIZED
- Ⓑ .25" ID HOSE
CAP END (ROOM)
- Ⓒ .25" ID HOSE
ROD END - ALWAYS PRESSURIZED (LIFT)
- Ⓓ .25" ID HOSE
CAP END (ROOM)
- Ⓔ .25" ID HOSE
CAP END (LIFT)
- Ⓕ .25" ID HOSE
CAP END (ROOM)

- NOTE: HOSES Ⓘ AND Ⓧ ARE INCLUDED WITH THE ROOM EXTENSION MECHANISM
- Ⓖ .188" ID HOSE
ROD END - ALWAYS PRESSURIZED
HOSES MUST BE HIGH PRESSURE
HOSES OF EQUAL LENGTH AND DIAMETER
 - Ⓡ .25" ID HOSE
CAP END - HOSES MUST MAINTAIN
EQUAL LENGTH AND DIAMETER
 - Ⓢ AP24632 HOSE ASSY HWH02HP x 48"
ROD END - ALWAYS PRESSURIZED -
MUST BE HIGH PRESSURE HOSES OF
EQUAL LENGTH AND DIAMETER
 - Ⓣ AP24818 HOSE ASSY HWH02HP x 86"
CAP END - MUST MAINTAIN EQUAL
LENGTH AND DIAMETER
 - Ⓚ .25" ID HOSE CAP END (LIFT)
MUST MAINTAIN EQUAL LENGTH
AND DIAMETER
 - Ⓛ .25" ID HOSE ROD END (LIFT)
ALWAYS PRESSURIZED - MUST MAINTAIN
EQUAL LENGTH AND DIAMETER

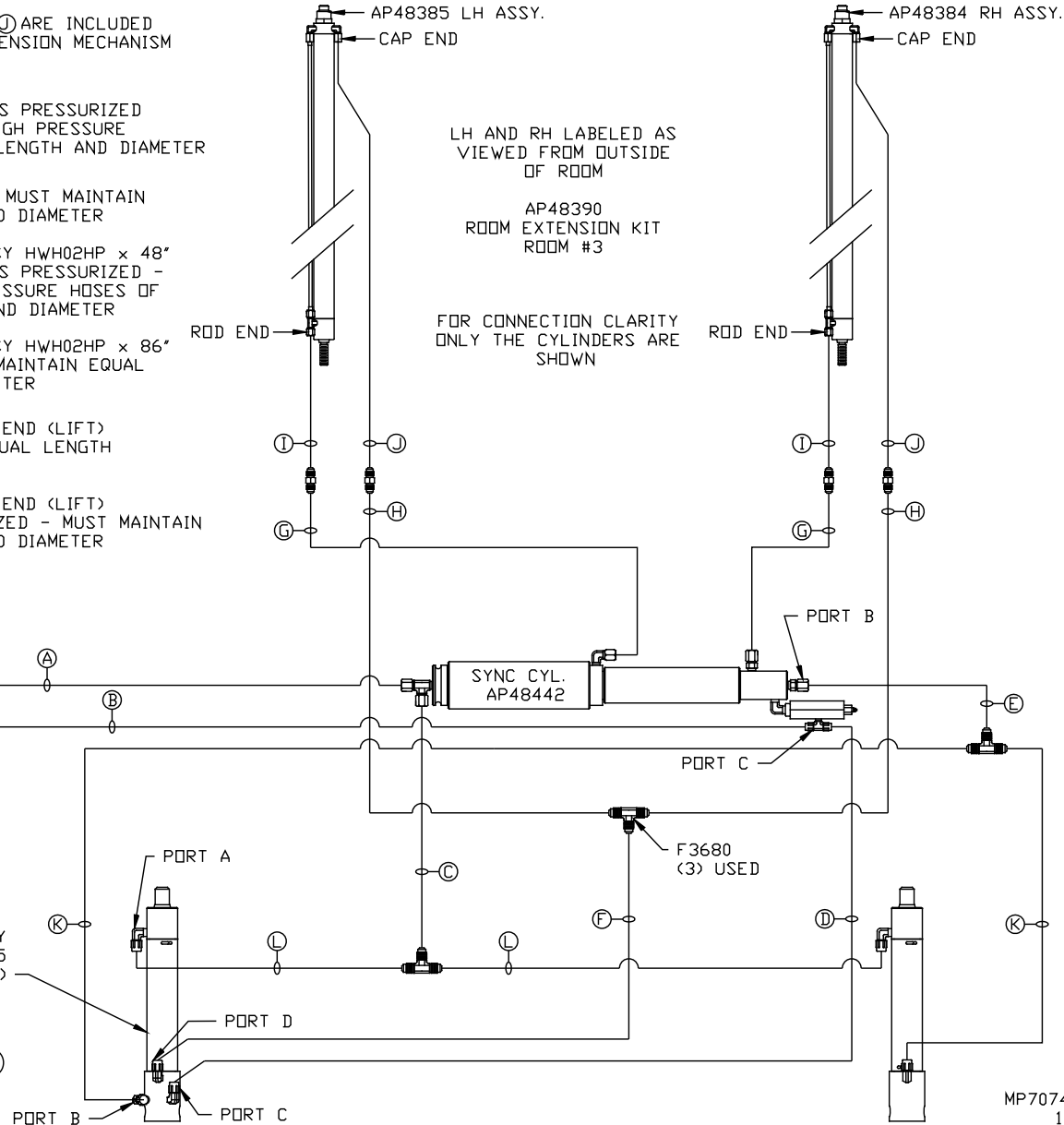


LOCATION AND ORIENTATION OF
PUMP/MANIFOLD ASSEMBLY WILL
DIFFER DEPENDING UPON O.E.M.

CYL ASSY
(PART OF AP52985
PLATFORM ASSY.)

NOTE: GENERIC VIEWS FOR CLARITY. CYLINDERS MAY BE REVERSED

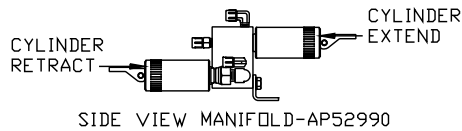
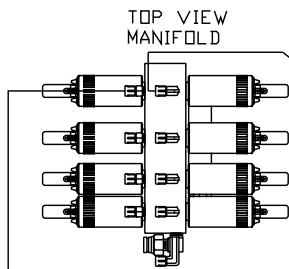
NOTE: INSTALLATION MUST CONFORM TO GOOD SHOP PRACTICES, SAE
STANDARDS, RVIA STANDARDS, AND OTHER APPLICABLE STANDARDS.



MP70744 D/E
17DEC13

- Ⓐ .25" ID HOSE
ROD END - ALWAYS PRESSURIZED
- Ⓑ .25" ID HOSE
CAP END (ROOM)
- Ⓒ .25" ID HOSE
ROD END - ALWAYS PRESSURIZED (LIFT)
- Ⓓ .25" ID HOSE
CAP END (ROOM)
- Ⓔ .25" ID HOSE
CAP END (LIFT)
- Ⓕ .25" ID HOSE
CAP END (ROOM)

- NOTE: HOSES Ⓘ AND Ⓧ ARE INCLUDED WITH THE ROOM EXTENSION MECHANISM
- Ⓒ .188" ID HOSE
ROD END - ALWAYS PRESSURIZED
HOSES MUST BE HIGH PRESSURE
HOSES OF EQUAL LENGTH AND DIAMETER
 - Ⓗ .25" ID HOSE
CAP END - HOSES MUST MAINTAIN
EQUAL LENGTH AND DIAMETER
 - Ⓙ AP24632 HOSE ASSY HWH02HP x 48"
ROD END - ALWAYS PRESSURIZED -
MUST BE HIGH PRESSURE HOSES OF
EQUAL LENGTH AND DIAMETER
 - Ⓚ AP24818 HOSE ASSY HWH02HP x 86"
CAP END - MUST MAINTAIN EQUAL
LENGTH AND DIAMETER
 - Ⓛ .25" ID HOSE CAP END (LIFT)
MUST MAINTAIN EQUAL LENGTH
AND DIAMETER
 - Ⓛ .25" ID HOSE ROD END (LIFT)
ALWAYS PRESSURIZED - MUST MAINTAIN
EQUAL LENGTH AND DIAMETER

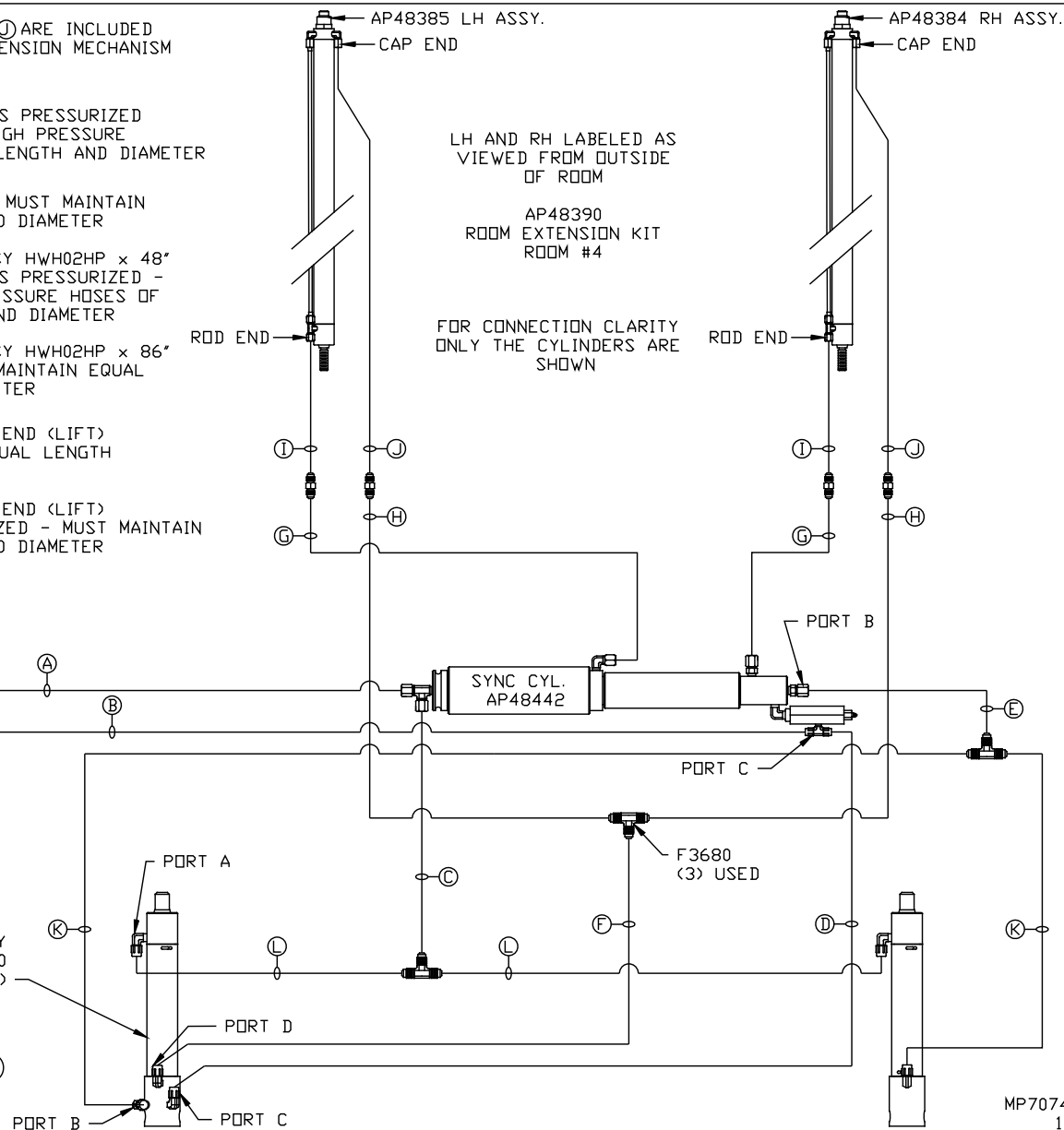


LOCATION AND ORIENTATION OF PUMP/MANIFOLD ASSEMBLY WILL DIFFER DEPENDING UPON O.E.M.

CYL ASSY (PART OF AP52980 PLATFORM ASSY.)

NOTE: GENERIC VIEWS FOR CLARITY. CYLINDERS MAY BE REVERSED

NOTE: INSTALLATION MUST CONFORM TO GOOD SHOP PRACTICES, SAE STANDARDS, RVIA STANDARDS, AND OTHER APPLICABLE STANDARDS.



MP70744 E/E
17DEC13