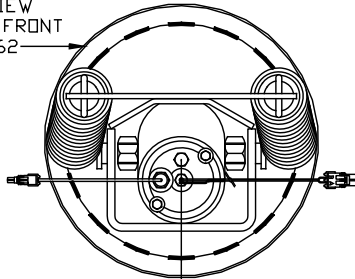


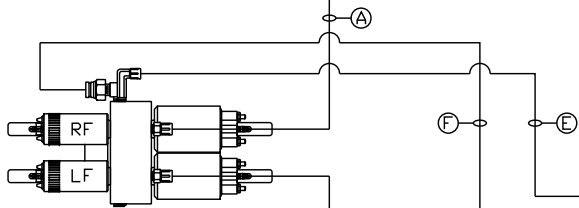
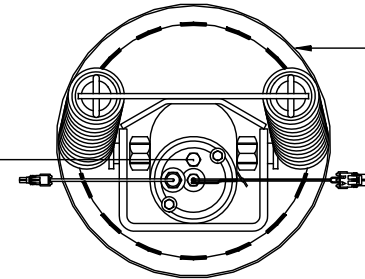
ORIENTATION

← FRONT

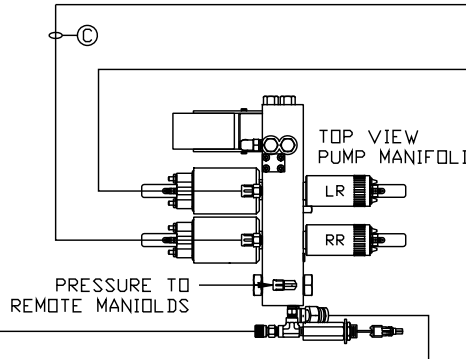
TOP VIEW
RIGHT FRONT
AP37562



TOP VIEW
RIGHT REAR
AP37562



TOP VIEW
MANIFOLD
*AP53078

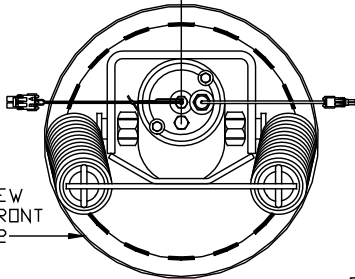


TOP VIEW
PUMP MANIFOLD

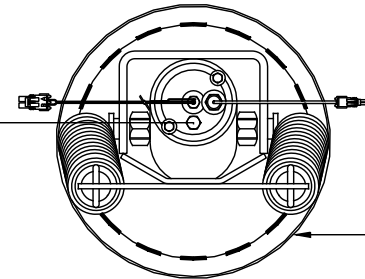
PRESSURE TO
REMOTE MANIFOLDS

- (A) AP42093 HOSE ASSY .313" x 276"
- (B) AP22313 HOSE ASSY .313" x 192"
- (C) AP19013 HOSE ASSY .313" x 180"
- (D) AP8383 HOSE ASSY .313" x 96"
- (E) *AP4060 HOSE ASSY .25" X 24"
- (F) *20" M401501 .5" OD TUBING
- (G) *20" M401501 .5" OD TUBING

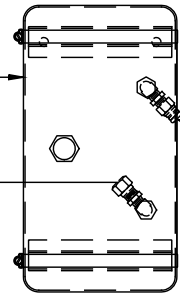
TOP VIEW
LEFT FRONT
AP37562



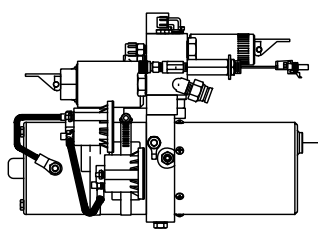
TOP VIEW
LEFT REAR
AP37562



*P37255 TANK



RETURN FROM
REMOTE MANIFOLDS



SIDE VIEW OF PRIMARY PUMP/MANIFOLD-*AP53079
*: PART OF AP53076 POWER/CONTROL

CROSS-TIES REQUIRED FOR
STRAIGHT-ACTING JACKS
ON BOTH FRONT AND REAR.

NOTE: INSTALLATION MUST CONFORM TO GOOD SHOP PRACTICES, SAE STANDARDS, RVIA STANDARDS, AND OTHER APPLICABLE STANDARDS.

LEVELING SYSTEM: AP53055

NO.	DATE	REVISION
△	07JUL15	WAS DUAL CYL. LIFT
△	07MAY15	WAS AP48181
△	07MAY15	WAS AP52513, ADD NOTE

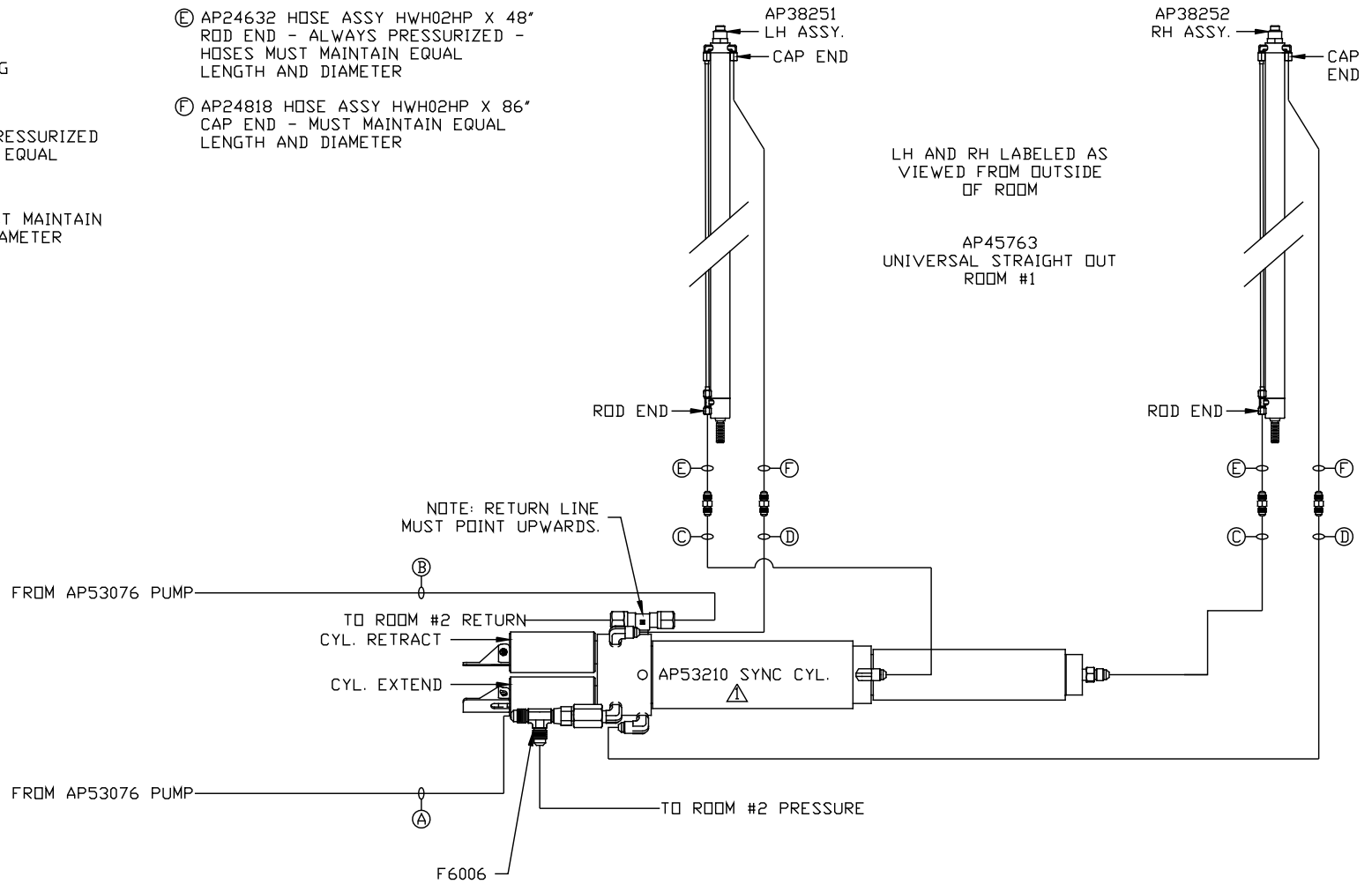
HWH		I-80 EXIT 267 SOUTH RT 1 MOSCOW, IOWA 52760	
SCALE 1:6	DATE 31JAN14	DRAWN BY .	
HYD CONN DIAGRAM			
FRONTLINE			DRAWING NUMBER MP70746 A/E

THE INFORMATION DISCLOSED ON THIS DRAWING IS CONFIDENTIAL AND MUST NOT BE DISCLOSED OR USED IN ANY MANNER WHICH WILL BE DETRIMENTAL TO THE HWH CORPORATION

NOTE: HOSES (C) AND (F) ARE INCLUDED WITH THE ROOM EXTENSION MECHANISM

- (A) HOSE ASSY .25" ID PRESSURE
- (B) .375" OD NYLON TUBING RETURN
- (C) HOSE ASSY 3/16" ID ROD END - ALWAYS PRESSURIZED HOSES MUST MAINTAIN EQUAL LENGTH AND DIAMETER
- (D) HOSE ASSY .25" ID CAP END - HOSES MUST MAINTAIN EQUAL LENGTH AND DIAMETER

- (E) AP24632 HOSE ASSY HWH02HP X 48" ROD END - ALWAYS PRESSURIZED - HOSES MUST MAINTAIN EQUAL LENGTH AND DIAMETER
- (F) AP24818 HOSE ASSY HWH02HP X 86" CAP END - MUST MAINTAIN EQUAL LENGTH AND DIAMETER



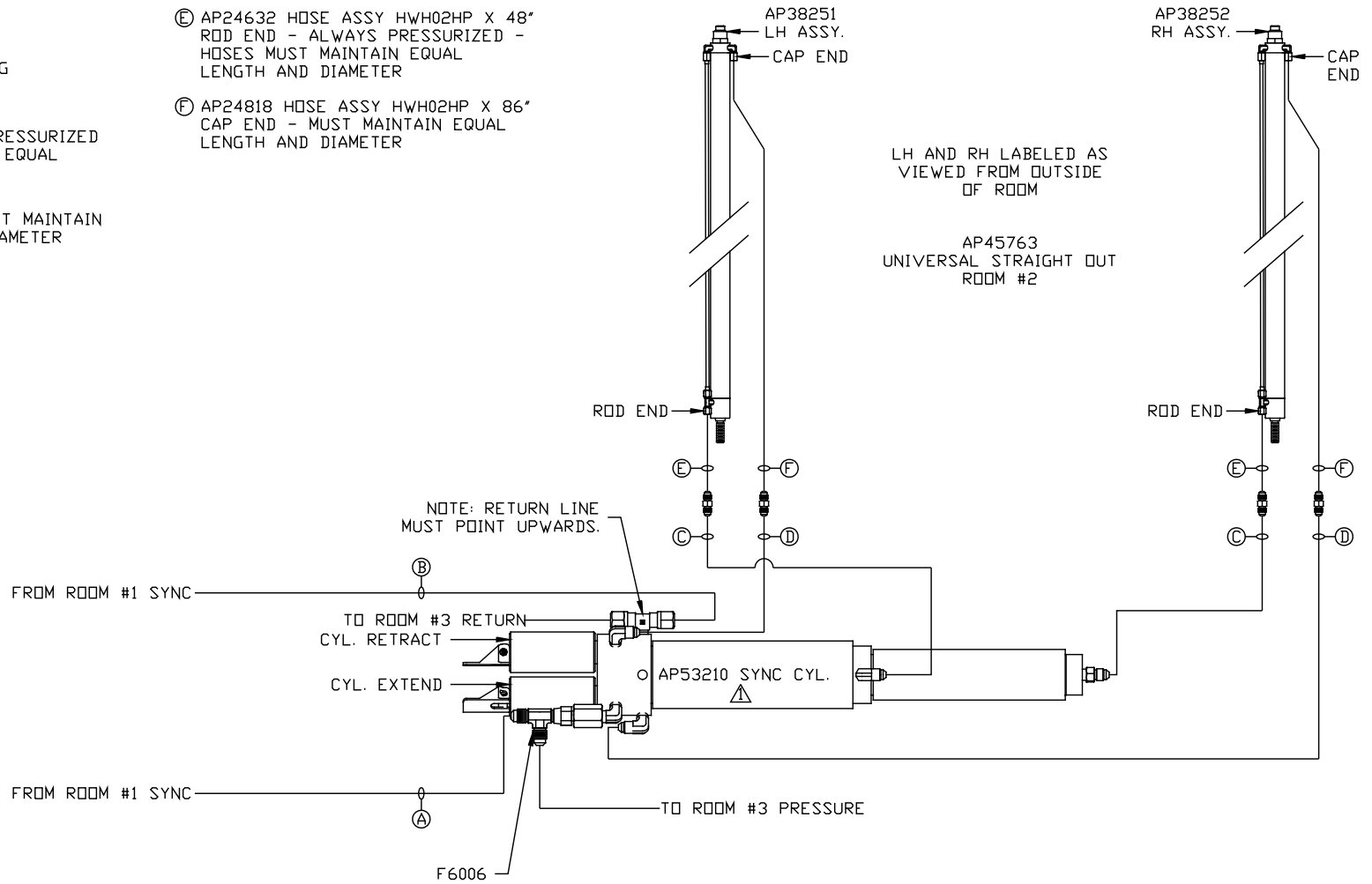
NOTE: INSTALLATION MUST CONFORM TO GOOD SHOP PRACTICES, SAE STANDARDS, RVIA STANDARDS, AND OTHER APPLICABLE STANDARDS.

MP70746 B/E
07MAY15

NOTE: HOSES (C) AND (F) ARE INCLUDED WITH THE ROOM EXTENSION MECHANISM

- (A) HOSE ASSY .25" ID PRESSURE
- (B) .375" OD NYLON TUBING RETURN
- (C) HOSE ASSY 3/16" ID ROD END - ALWAYS PRESSURIZED HOSES MUST MAINTAIN EQUAL LENGTH AND DIAMETER
- (D) HOSE ASSY .25" ID CAP END - HOSES MUST MAINTAIN EQUAL LENGTH AND DIAMETER

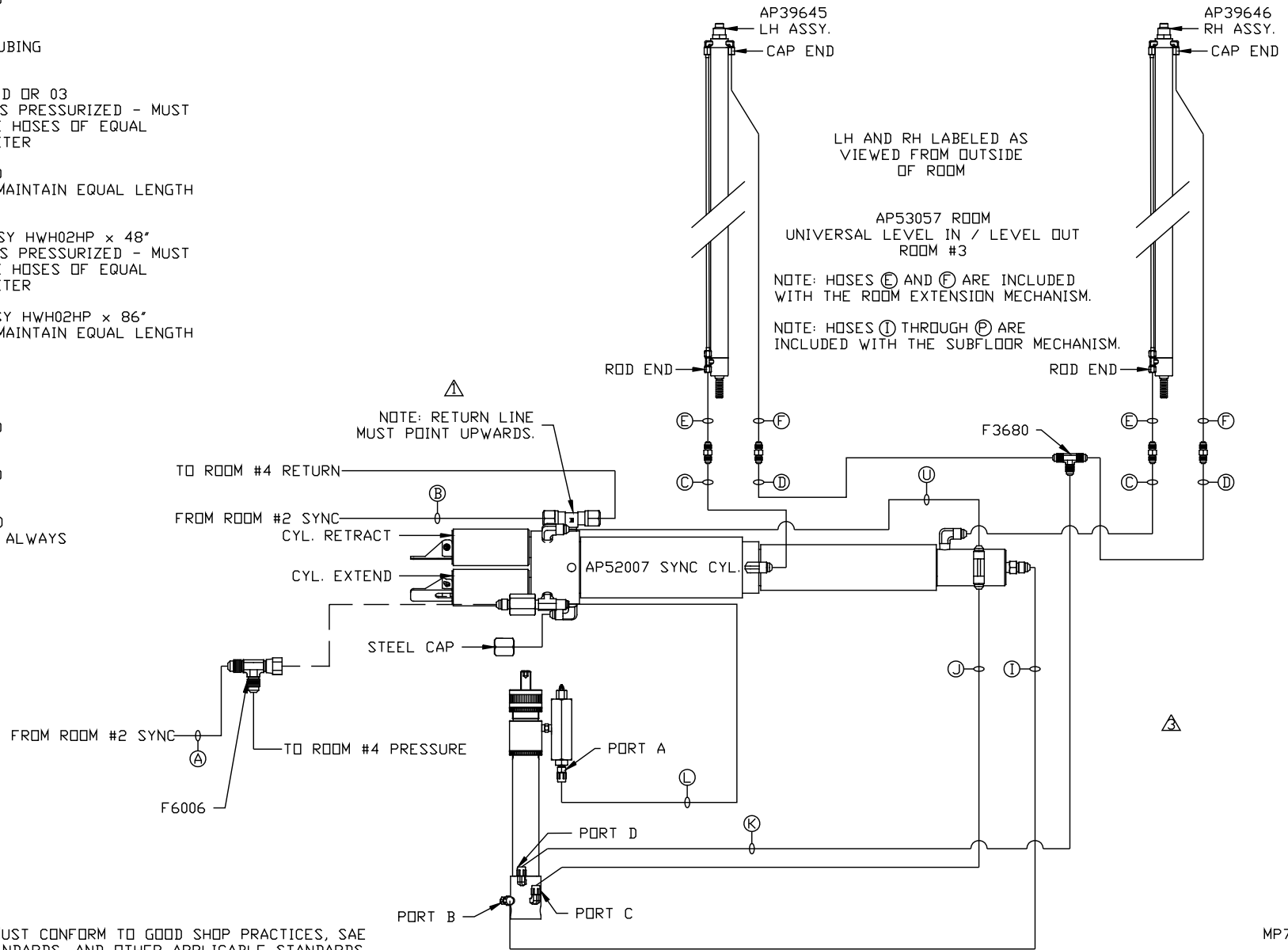
- (E) AP24632 HOSE ASSY HWH02HP X 48" ROD END - ALWAYS PRESSURIZED - HOSES MUST MAINTAIN EQUAL LENGTH AND DIAMETER
- (F) AP24818 HOSE ASSY HWH02HP X 86" CAP END - MUST MAINTAIN EQUAL LENGTH AND DIAMETER



NOTE: INSTALLATION MUST CONFORM TO GOOD SHOP PRACTICES, SAE STANDARDS, RVIA STANDARDS, AND OTHER APPLICABLE STANDARDS.

MP70746 C/E
07MAY15

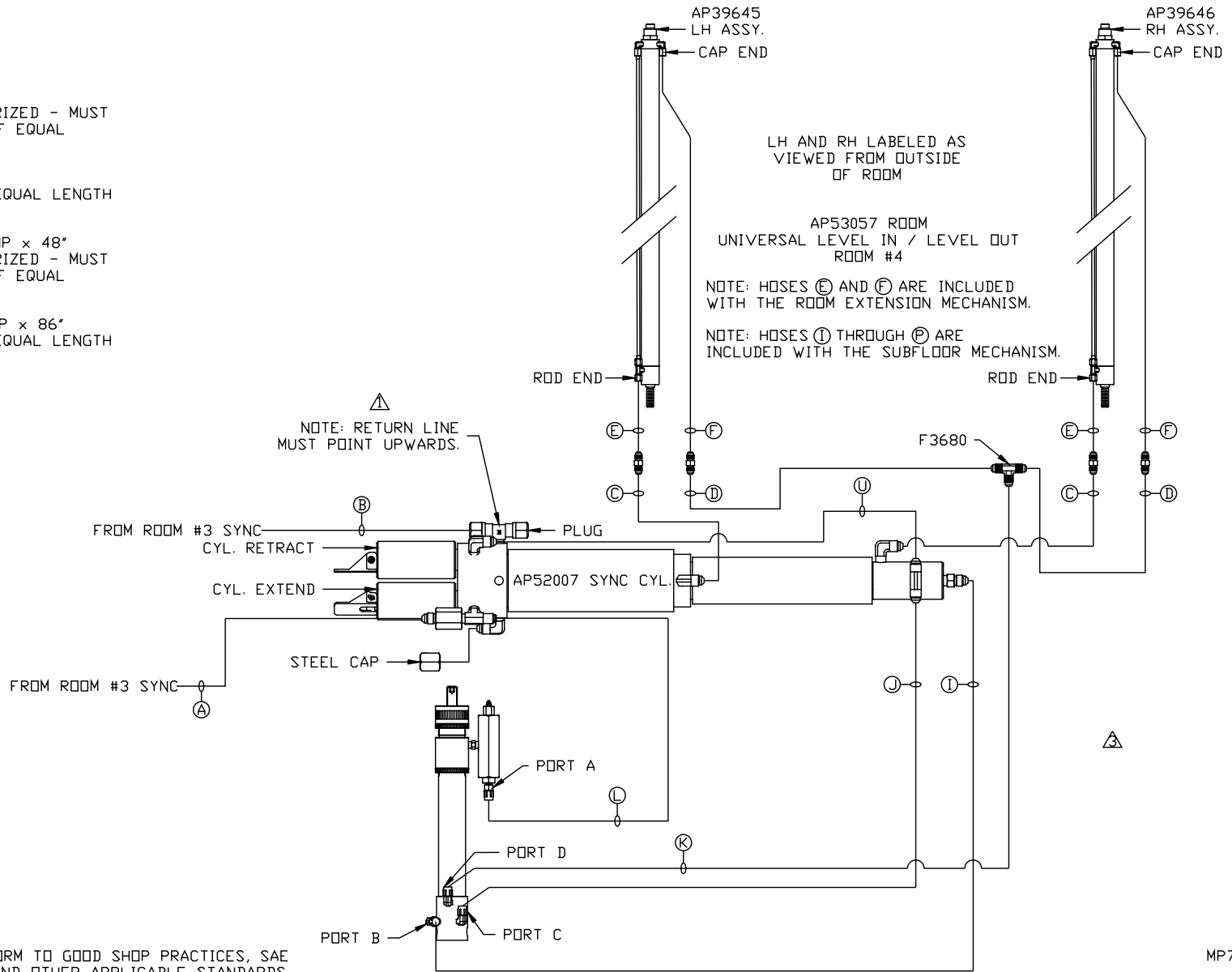
- Ⓐ HOSE ASSY .25" ID
PRESSURE
- Ⓑ .375" OD NYLON TUBING
RETURN
- Ⓒ HOSE ASSY .125" ID OR 03
ROD END - ALWAYS PRESSURIZED - MUST
BE HIGH PRESSURE HOSES OF EQUAL
LENGTH AND DIAMETER
- Ⓓ HOSE ASSY .25" ID
CAP END - MUST MAINTAIN EQUAL LENGTH
AND DIAMETER
- Ⓔ AP24632 HOSE ASSY HWH02HP x 48"
ROD END - ALWAYS PRESSURIZED - MUST
BE HIGH PRESSURE HOSES OF EQUAL
LENGTH AND DIAMETER
- Ⓕ AP24818 HOSE ASSY HWH02HP x 86"
CAP END - MUST MAINTAIN EQUAL LENGTH
AND DIAMETER
- Ⓖ HOSE ASSY .25" ID
CAP END (LIFT)
- Ⓗ HOSE ASSY .25" ID
CAP END (LIFT)
- Ⓙ HOSE ASSY .25" ID
CAP END (ROOM)
- Ⓚ HOSE ASSY .25" ID
ROD END (LIFT) - ALWAYS
PRESSURIZED



NOTE: INSTALLATION MUST CONFORM TO GOOD SHOP PRACTICES, SAE STANDARDS, RVIA STANDARDS, AND OTHER APPLICABLE STANDARDS.

MP70746 D/E
07 JUL 15

- (A) HOSE ASSY .25" ID PRESSURE
- (B) .375" OD NYLON TUBING RETURN
- (C) HOSE ASSY .125" ID OR 03 ROD END - ALWAYS PRESSURIZED - MUST BE HIGH PRESSURE HOSES OF EQUAL LENGTH AND DIAMETER
- (D) HOSE ASSY .25" ID CAP END - MUST MAINTAIN EQUAL LENGTH AND DIAMETER
- (E) AP24632 HOSE ASSY HWH02HP x 48" ROD END - ALWAYS PRESSURIZED - MUST BE HIGH PRESSURE HOSES OF EQUAL LENGTH AND DIAMETER
- (F) AP24818 HOSE ASSY HWH02HP x 86" CAP END - MUST MAINTAIN EQUAL LENGTH AND DIAMETER
- (I) HOSE ASSY .25" ID CAP END (LIFT)
- (J) HOSE ASSY .25" ID CAP END (LIFT)
- (K) HOSE ASSY .25" ID CAP END (ROOM)
- (L) HOSE ASSY .25" ID ROD END (LIFT) - ALWAYS PRESSURIZED



NOTE: INSTALLATION MUST CONFORM TO GOOD SHOP PRACTICES, SAE STANDARDS, RVIA STANDARDS, AND OTHER APPLICABLE STANDARDS.

MP70746 E/E
07 JUL 15