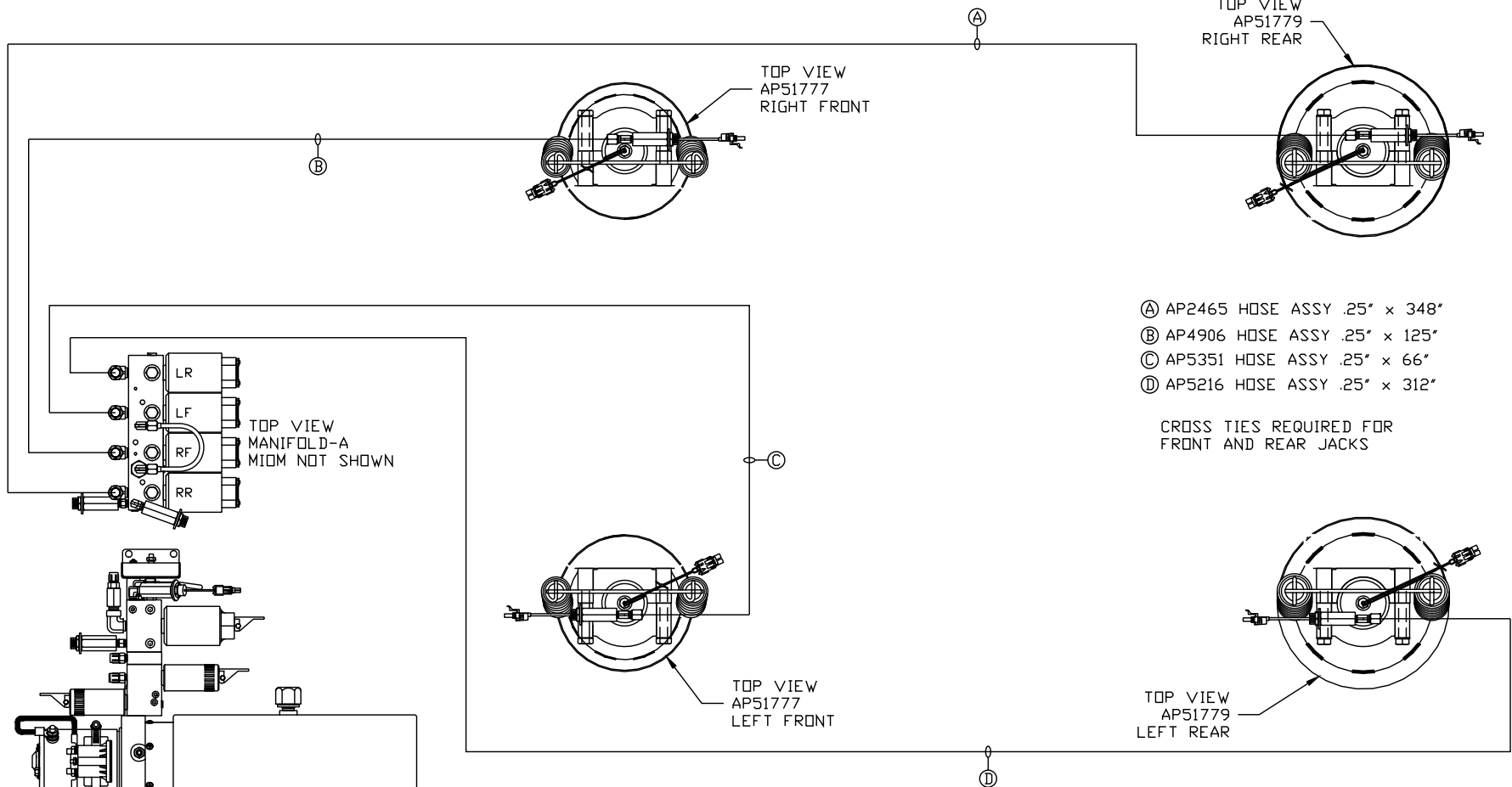


ORIENTATION  
← FRONT



NOTE: INSTALLATION MUST CONFORM TO GOOD SHOP PRACTICES, SAE STANDARDS, RVIA STANDARDS, AND OTHER APPLICABLE STANDARDS.

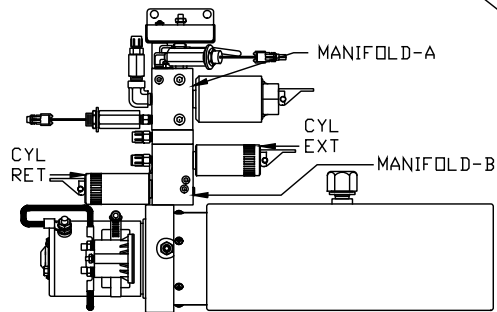
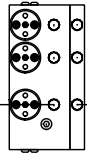
LEVELING SYSTEM: AP53065

NO.	DATE	REVISION
THE INFORMATION DISCLOSED ON THIS DRAWING IS CONFIDENTIAL AND MUST NOT BE DISCLOSED OR USED IN ANY MANNER WHICH WILL BE DETRIMENTAL TO THE HWH CORPORATION		

HWH		I-80 EXIT 267 SOUTH RT 1 MOSCOW, IOWA 52760	
SCALE 1:6	DATE 22JAN14	DRAWN BY .	
HYD CONN DIAGRAM			
FORETRAVEL		DRAWING NUMBER MP70748 A/D	

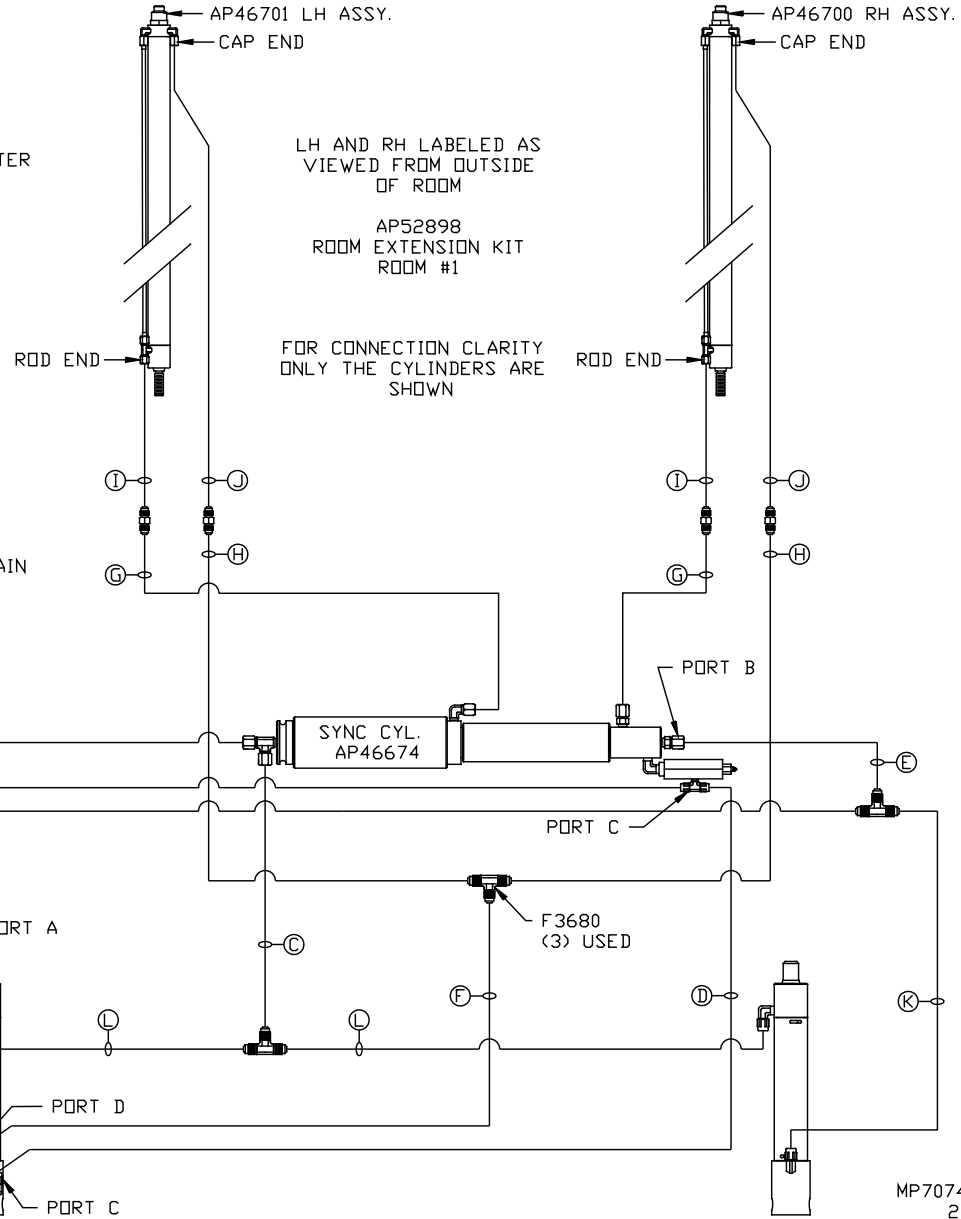
- Ⓐ .25" ID HOSE  
ROD END - ALWAYS PRESSURIZED
- Ⓑ .25" ID HOSE  
CAP END (ROOM)
- Ⓒ .25" ID HOSE  
ROD END - ALWAYS PRESSURIZED (LIFT)
- Ⓓ .25" ID HOSE  
CAP END (ROOM)
- Ⓔ .25" ID HOSE  
CAP END (LIFT)
- Ⓕ .25" ID HOSE  
CAP END (ROOM)

FRONT VIEW  
MANIFOLD-B



SIDE VIEW PUMP/MANIFOLD-AP53059  
LOCATION AND ORIENTATION OF  
PUMP/MANIFOLD ASSEMBLY WILL  
DIFFER DEPENDING UPON O.E.M.

- NOTE: HOSES Ⓘ AND Ⓧ ARE INCLUDED  
WITH THE ROOM EXTENSION MECHANISM
- Ⓒ .188" ID HOSE  
ROD END - ALWAYS PRESSURIZED  
HOSES MUST BE HIGH PRESSURE  
HOSES OF EQUAL LENGTH AND DIAMETER
  - Ⓓ .25" ID HOSE  
CAP END - HOSES MUST MAINTAIN  
EQUAL LENGTH AND DIAMETER
  - Ⓛ AP24632 HOSE ASSY HWH02HP x 48"  
ROD END - ALWAYS PRESSURIZED -  
MUST BE HIGH PRESSURE HOSES OF  
EQUAL LENGTH AND DIAMETER
  - Ⓜ AP24818 HOSE ASSY HWH02HP x 86"  
CAP END - MUST MAINTAIN EQUAL  
LENGTH AND DIAMETER
  - Ⓨ .25" ID HOSE CAP END (LIFT)  
MUST MAINTAIN EQUAL LENGTH  
AND DIAMETER
  - Ⓩ .25" ID HOSE ROD END (LIFT)  
ALWAYS PRESSURIZED - MUST MAINTAIN  
EQUAL LENGTH AND DIAMETER



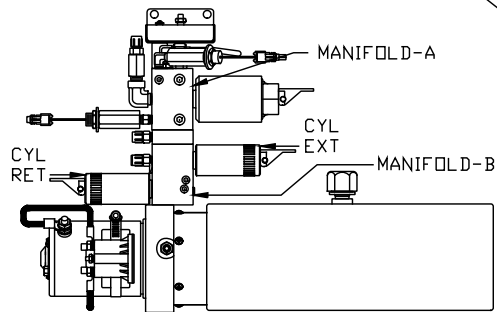
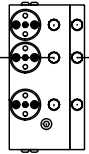
NOTE: GENERIC VIEWS FOR CLARITY. CYLINDERS MAY BE REVERSED

NOTE: INSTALLATION MUST CONFORM TO GOOD SHOP PRACTICES, SAE  
STANDARDS, RVIA STANDARDS, AND OTHER APPLICABLE STANDARDS.

MP70748 B/D  
22 JAN 14

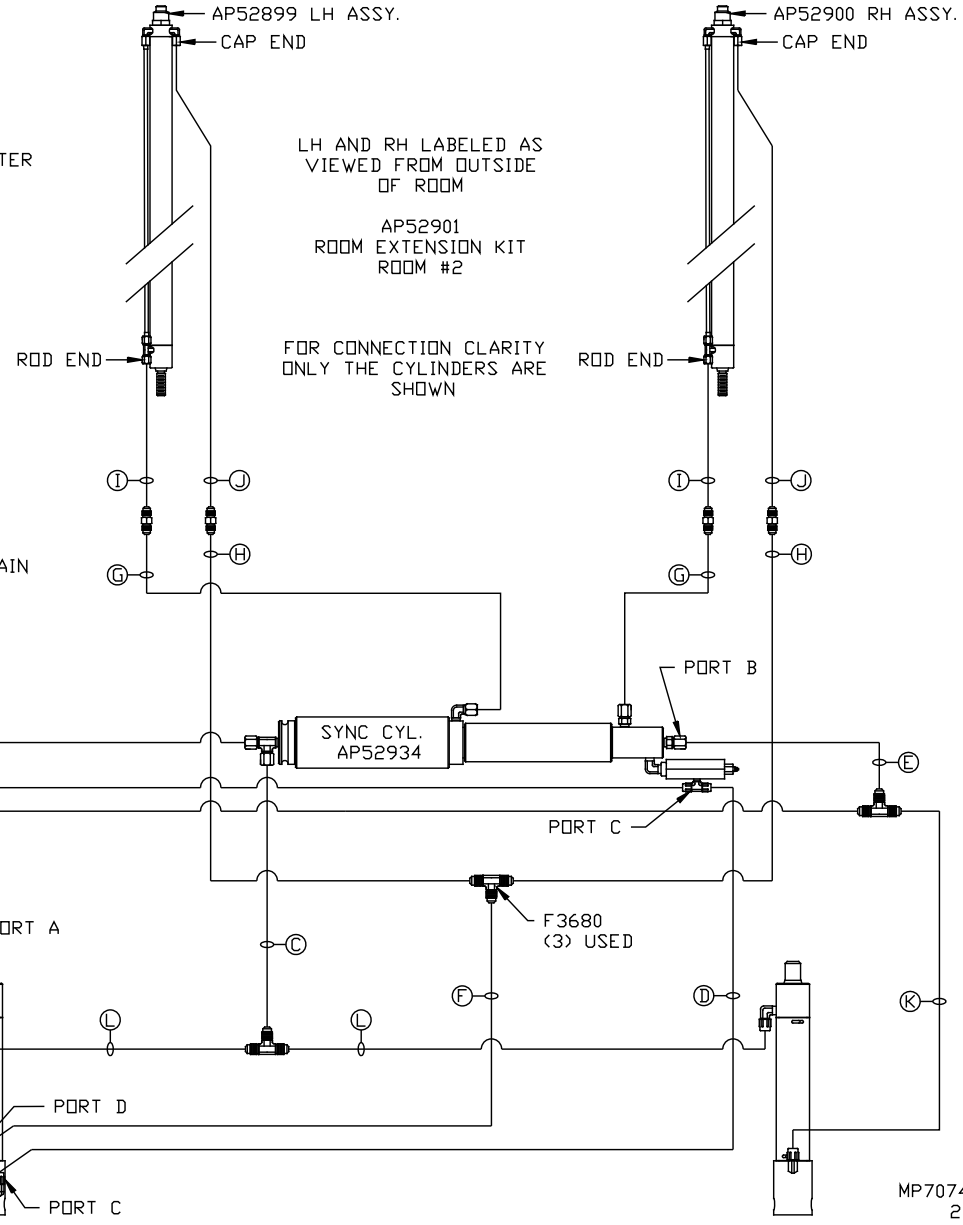
- Ⓐ .25" ID HOSE  
ROD END - ALWAYS PRESSURIZED
- Ⓑ .25" ID HOSE  
CAP END (ROOM)
- Ⓒ .25" ID HOSE  
ROD END - ALWAYS PRESSURIZED (LIFT)
- Ⓓ .25" ID HOSE  
CAP END (ROOM)
- Ⓔ .25" ID HOSE  
CAP END (LIFT)
- Ⓕ .25" ID HOSE  
CAP END (ROOM)

FRONT VIEW  
MANIFOLD-B



SIDE VIEW PUMP/MANIFOLD-AP53059  
LOCATION AND ORIENTATION OF  
PUMP/MANIFOLD ASSEMBLY WILL  
DIFFER DEPENDING UPON O.E.M.

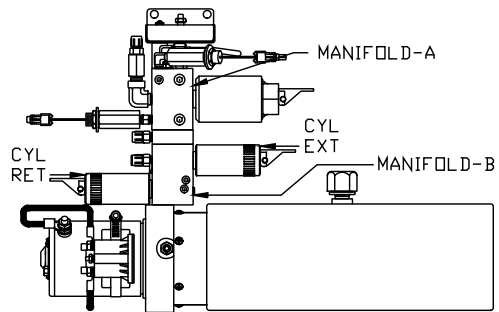
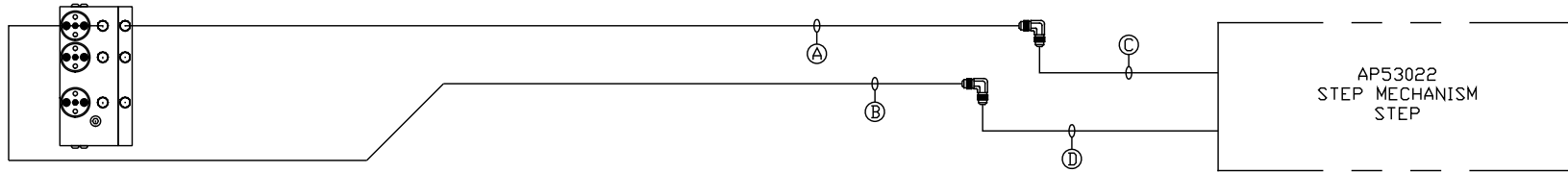
- NOTE: HOSES Ⓘ AND Ⓧ ARE INCLUDED  
WITH THE ROOM EXTENSION MECHANISM
- Ⓒ .188" ID HOSE  
ROD END - ALWAYS PRESSURIZED  
HOSES MUST BE HIGH PRESSURE  
HOSES OF EQUAL LENGTH AND DIAMETER
  - Ⓓ .25" ID HOSE  
CAP END - HOSES MUST MAINTAIN  
EQUAL LENGTH AND DIAMETER
  - Ⓛ AP24632 HOSE ASSY HWH02HP x 48"  
ROD END - ALWAYS PRESSURIZED -  
MUST BE HIGH PRESSURE HOSES OF  
EQUAL LENGTH AND DIAMETER
  - Ⓜ AP24818 HOSE ASSY HWH02HP x 86"  
CAP END - MUST MAINTAIN EQUAL  
LENGTH AND DIAMETER
  - Ⓨ .25" ID HOSE CAP END (LIFT)  
MUST MAINTAIN EQUAL LENGTH  
AND DIAMETER
  - Ⓩ .25" ID HOSE ROD END (LIFT)  
ALWAYS PRESSURIZED - MUST MAINTAIN  
EQUAL LENGTH AND DIAMETER



NOTE: GENERIC VIEWS FOR CLARITY. CYLINDERS MAY BE REVERSED

NOTE: INSTALLATION MUST CONFORM TO GOOD SHOP PRACTICES, SAE  
STANDARDS, RVIA STANDARDS, AND OTHER APPLICABLE STANDARDS.

FRONT VIEW  
MANIFOLD-B



SIDE VIEW PUMP/MANIFOLD-AP53059

LOCATION AND ORIENTATION OF  
PUMP/MANIFOLD ASSEMBLY WILL  
DIFFER DEPENDING UPON O.E.M.

- Ⓐ HOSE ASSY 03F  
ROD END - ALWAYS PRESSURIZED
- Ⓑ HOSE ASSY 03F  
CAP END
- Ⓒ AP50909 HOSE ASSY 03F x 72"  
ROD END - ALWAYS PRESSURIZED
- Ⓓ AP51480 HOSE ASSY 03F x 66"  
CAP END

NOTE: INSTALLATION MUST CONFORM TO GOOD SHOP PRACTICES, SAE  
STANDARDS, RVIA STANDARDS, AND OTHER APPLICABLE STANDARDS.

MP70748 D/D  
22JAN14