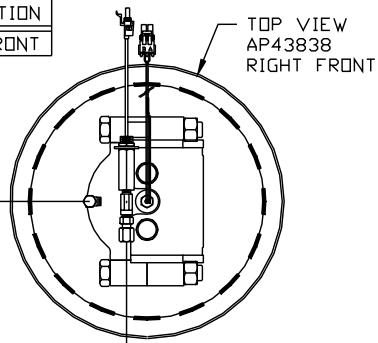
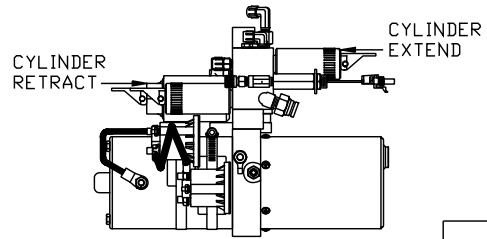
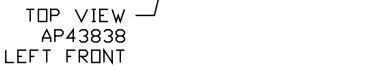
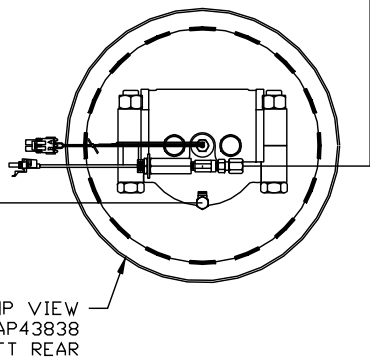
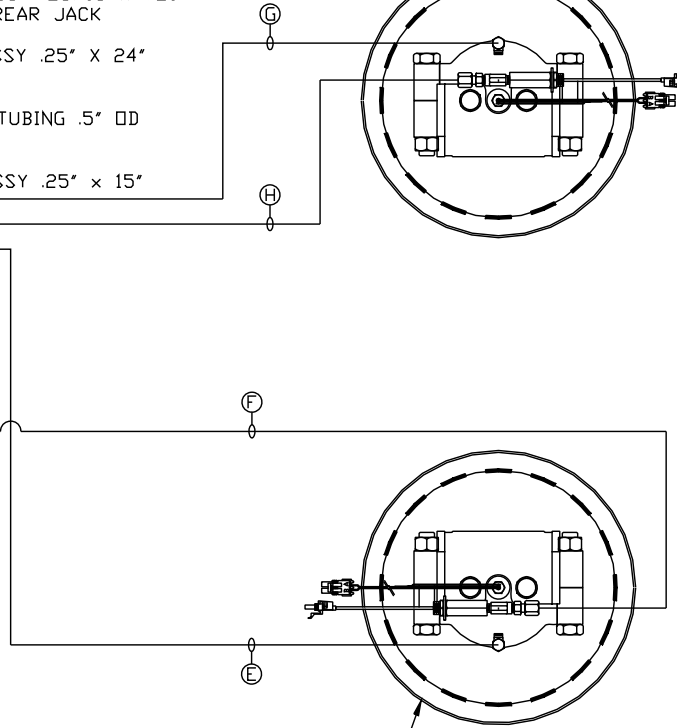
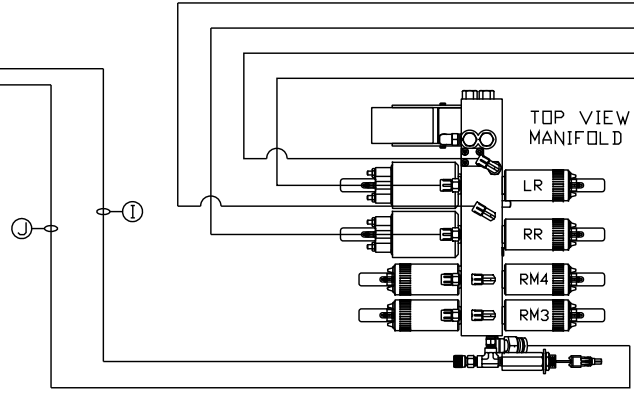
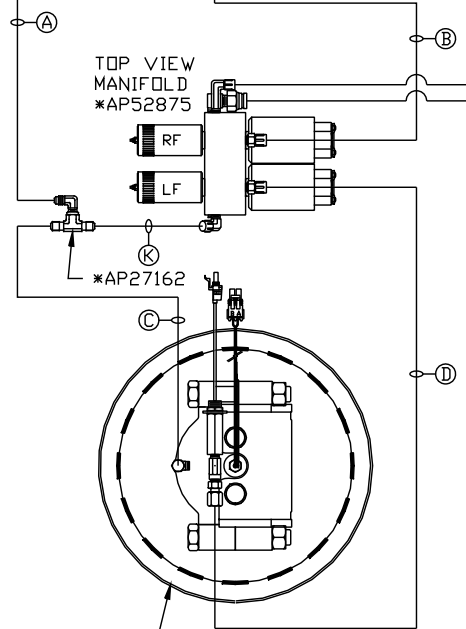
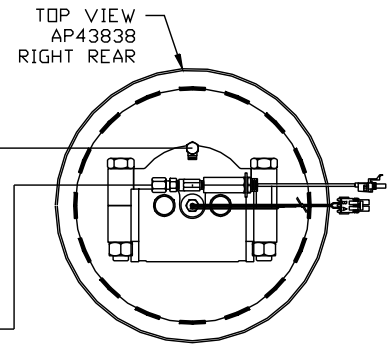


ORIENTATION  
← FRONT



- (A) AP4061 HOSE ASSY .25" X 216"  
ROD END RIGHT FRONT JACK
- (B) AP46310 HOSE ASSY .25/05 X 192"  
CAP END RIGHT FRONT JACK
- (C) AP2445 HOSE ASSY .25" X 90"  
ROD END LEFT FRONT JACK
- (D) AP43306 HOSE ASSY .25/05 X 72"  
CAP END LEFT FRONT JACK
- (E) AP7140 HOSE ASSY .25" X 615"  
ROD END LEFT REAR JACK

- (F) AP46638 HOSE ASSY .25/05 X 600"  
CAP END LEFT REAR JACK
- (G) AP11972 HOSE ASSY .25" X 720"  
ROD END RIGHT REAR JACK
- (H) AP53063 HOSE ASSY .25/05 X 720"  
CAP END RIGHT REAR JACK
- (I) \*AP4060 HOSE ASSY .25" X 24"  
PRESSURE
- (J) \*M401501 NYLON TUBING .5" OD  
RETURN
- (K) \*AP5212 HOSE ASSY .25" X 15"



LOCATION AND ORIENTATION OF  
PUMP/MANIFOLD ASSEMBLY WILL  
DIFFER DEPENDING UPON O.E.M.

\* NOTE: PART OF AP53045 POWER CONTROL

NOTE: INSTALLATION MUST CONFORM TO GOOD SHOP PRACTICES, SAE  
STANDARDS, RVIA STANDARDS, AND OTHER APPLICABLE STANDARDS.

LEVELING SYSTEM: AP53034

NO.	DATE	REVISION
THE INFORMATION DISCLOSED ON THIS DRAWING IS CONFIDENTIAL AND MUST NOT BE DISCLOSED OR USED IN ANY MANNER WHICH WILL BE DETRIMENTAL TO THE HWH CORPORATION		

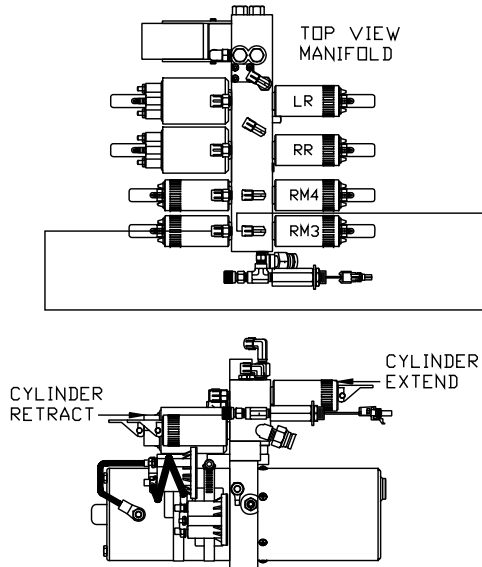
HWH			I-80 EXIT 267 SOUTH RT 1 MOSCOW, IOWA 52760	
SCALE 1:6	DATE 30JAN14	DRAWN BY .		
HYD CONN DIAGRAM				
COMPASS NORTH			DRAWING NUMBER MP70750 A/C	

AP53068 HOSE KIT USD

- Ⓐ AP4064 HOSE ASSY .25" x 300"  
ROD END - ALWAYS PRESSURIZED
- Ⓑ AP4904 HOSE ASSY .25" x 306"  
CAP END
- Ⓒ AP49417 HOSE ASSY 03 x 96"  
ROD END - ALWAYS PRESSURIZED  
HOSES MUST MAINTAIN EQUAL  
LENGTH AND DIAMETER
- Ⓓ AP5352 HOSE ASSY .25" x 96"  
CAP END - HOSES MUST MAINTAIN  
EQUAL LENGTH AND DIAMETER

NOTE: HOSES Ⓔ AND Ⓕ ARE INCLUDED  
WITH THE ROOM EXTENSION MECHANISM

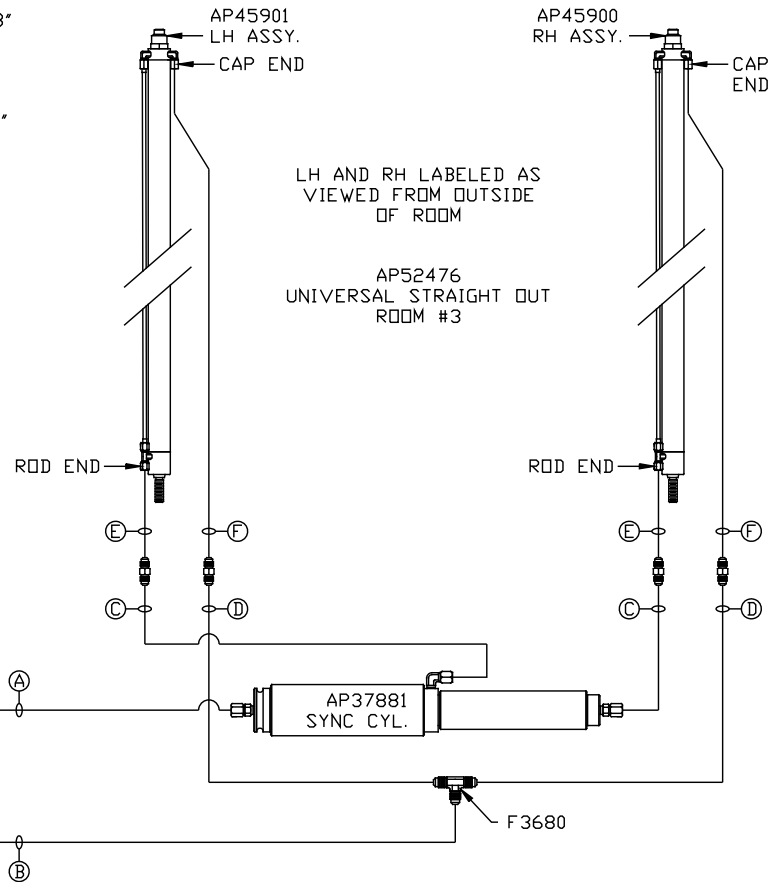
- Ⓔ AP24632 HOSE ASSY HWH02HP x 48"  
ROD END - ALWAYS PRESSURIZED -  
HOSES MUST MAINTAIN EQUAL  
LENGTH AND DIAMETER
- Ⓕ AP24818 HOSE ASSY HWH02HP x 86"  
CAP END - MUST MAINTAIN EQUAL  
LENGTH AND DIAMETER



SIDE VIEW OF PUMP/MANIFOLD-\*AP53044

LOCATION AND ORIENTATION OF  
PUMP/MANIFOLD ASSEMBLY WILL  
DIFFER DEPENDING UPON O.E.M.

\* NOTE: PART OF AP53045 POWER CONTROL



NOTE: INSTALLATION MUST CONFORM TO GOOD SHOP PRACTICES, SAE  
STANDARDS, RVIA STANDARDS, AND OTHER APPLICABLE STANDARDS.

MP70750 B/C  
30JAN14

AP53069 HOSE KIT BR

Ⓐ AP6116 HOSE ASSY .25" x 240"  
ROD END - ALWAYS PRESSURIZED

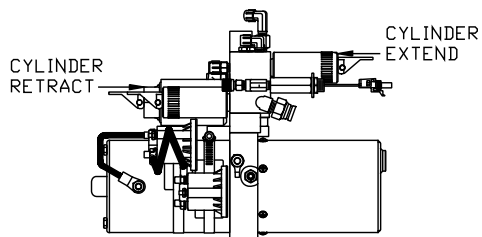
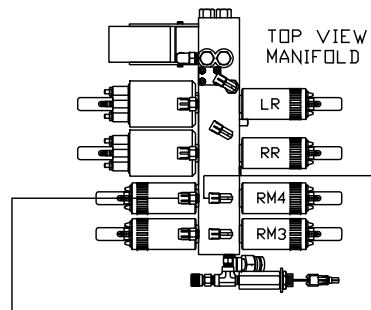
Ⓑ AP5966 HOSE ASSY .25" x 243"  
CAP END

NOTE: HOSES Ⓒ AND Ⓓ ARE INCLUDED  
WITH THE ROOM EXTENSION MECHANISM

Ⓒ AP24628 HOSE ASSY HWH02HP x 0"  
ROD END - ALWAYS PRESSURIZED

Ⓓ AP24632 HOSE ASSY HWH02HP x 0"  
CAP END

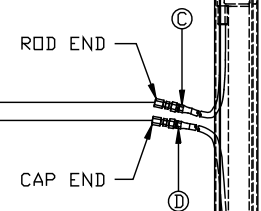
ROOM #4  
AP53036  
BED SLIDE KIT



SIDE VIEW OF PUMP/MANIFOLD-AP53044

LOCATION AND ORIENTATION OF  
PUMP/MANIFOLD ASSEMBLY WILL  
DIFFER DEPENDING UPON O.E.M.

\* NOTE: PART OF AP53045 POWER CONTROL



SIDE VIEW  
AP32165

NOTE: INSTALLATION MUST CONFORM TO GOOD SHOP PRACTICES, SAE  
STANDARDS, RVIA STANDARDS, AND OTHER APPLICABLE STANDARDS.

MP70750 C/C  
30JAN14