

THIS PAGE INTENTIONALLY LEFT BLANK

			HWH I-80 EXIT 267 SOUTH RT 1 MOSCOW, IOWA 52760		
			SCALE 1:6	DATE 28FEB14	DRAWN BY .
			HYD CONN DIAGRAM		
NO.	DATE	REVISION			
THE INFORMATION DISCLOSED ON THIS DRAWING IS CONFIDENTIAL AND MUST NOT BE DISCLOSED OR USED IN ANY MANNER WHICH WILL BE DETRIMENTAL TO THE HWH CORPORATION			TRIVAN		DRAWING NUMBER MP70771 A/E

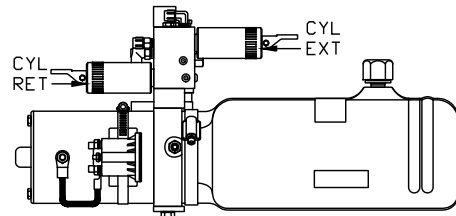
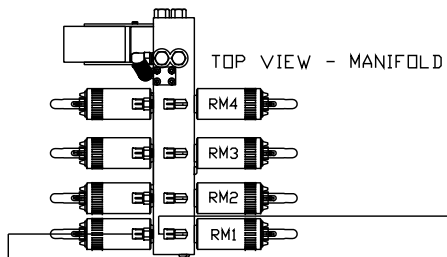
NOTE: INSTALLATION MUST CONFORM TO GOOD SHOP PRACTICES, SAE STANDARDS, RVIA STANDARDS, AND OTHER APPLICABLE STANDARDS.

CONTROL PACKAGE: AP53326

- Ⓐ .25" ID HOSE
ROD END - ALWAYS PRESSURIZED
- Ⓑ .25" ID HOSE
CAP END (ROOM)
- Ⓒ .25" ID HOSE
ROD END - ALWAYS PRESSURIZED (LIFT)
- Ⓓ .25" ID HOSE
CAP END (ROOM)
- Ⓔ .25" ID HOSE
CAP END (LIFT)
- Ⓕ .25" ID HOSE
CAP END (ROOM)

- Ⓖ 03 HOSE
ROD END - ALWAYS PRESSURIZED -
HOSES MUST MAINTAIN EQUAL
LENGTH AND DIAMETER
- Ⓗ .25" ID HOSE
CAP END - HOSES MUST MAINTAIN
EQUAL LENGTH AND DIAMETER
- Ⓘ AP24632 HOSE ASSY HWH02HP x 48"
ROD END - ALWAYS PRESSURIZED -
HOSES MUST MAINTAIN EQUAL
LENGTH AND DIAMETER
- ⓵ AP24818 HOSE ASSY HWH02HP x 86"
CAP END - MUST MAINTAIN EQUAL
LENGTH AND DIAMETER
- Ⓚ .25" ID HOSE CAP END (LIFT)
MUST MAINTAIN EQUAL LENGTH
AND DIAMETER
- Ⓛ .25" ID HOSE ROD END (LIFT)
ALWAYS PRESSURIZED - MUST MAINTAIN
EQUAL LENGTH AND DIAMETER

NOTE: HOSES Ⓘ AND ⓵ ARE INCLUDED
WITH THE ROOM EXTENSION MECHANISM

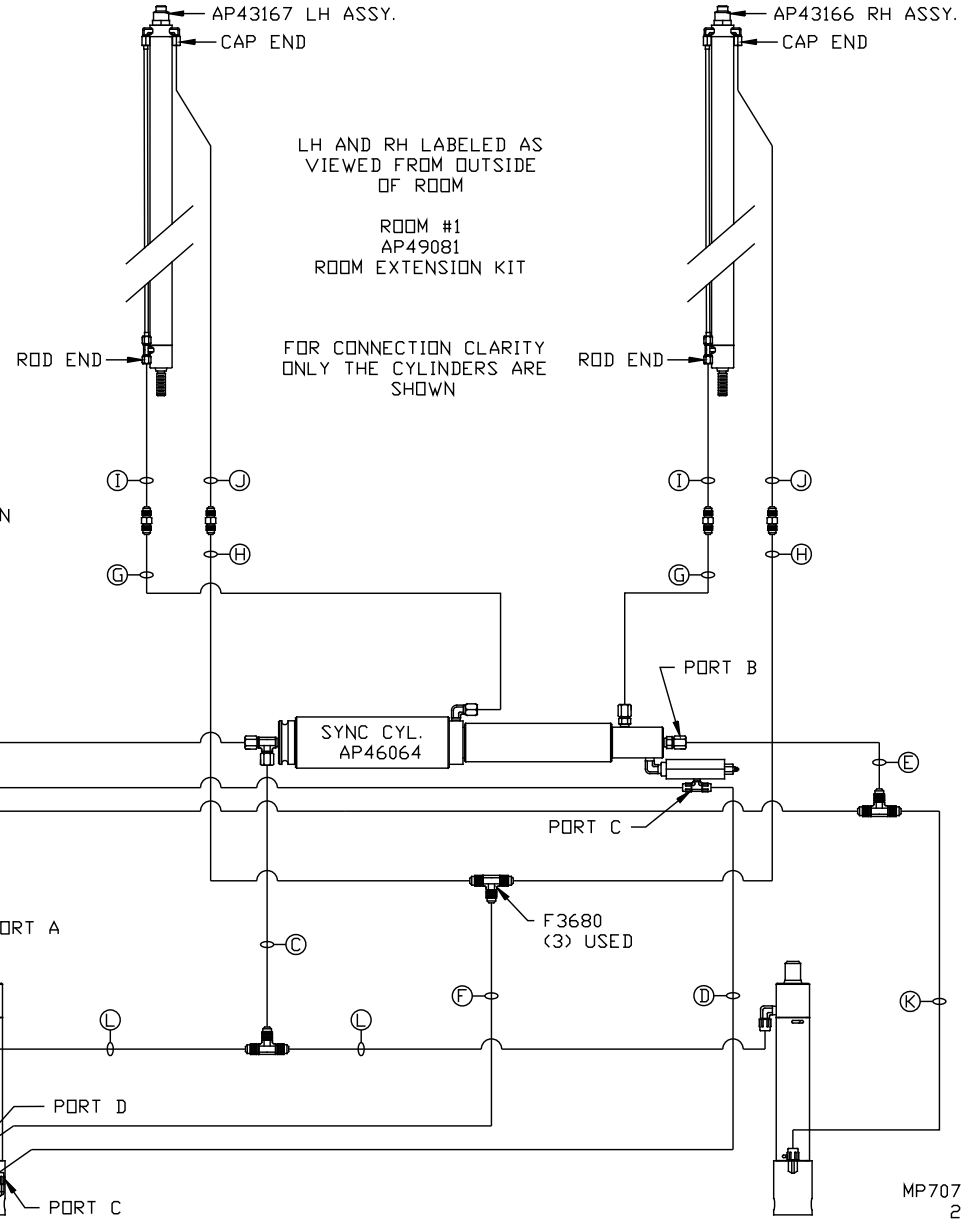


SIDE VIEW PUMP/MANIFOLD-AP53328

LOCATION AND ORIENTATION OF
PUMP/MANIFOLD ASSEMBLY WILL
DIFFER DEPENDING UPON O.E.M.

NOTE: GENERIC VIEWS FOR CLARITY. CYLINDERS MAY BE REVERSED

NOTE: INSTALLATION MUST CONFORM TO GOOD SHOP PRACTICES, SAE
STANDARDS, RVIA STANDARDS, AND OTHER APPLICABLE STANDARDS.

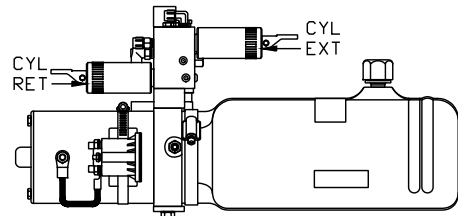
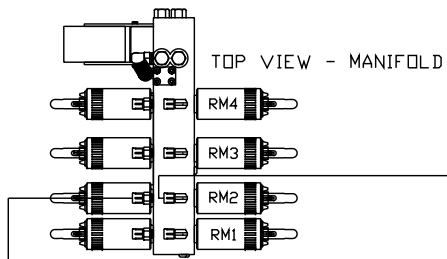


MP70771 B/E
28FEB14

- Ⓐ .25" ID HOSE
ROD END - ALWAYS PRESSURIZED
- Ⓑ .25" ID HOSE
CAP END (ROOM)
- Ⓒ .25" ID HOSE
ROD END - ALWAYS PRESSURIZED (LIFT)
- Ⓓ .25" ID HOSE
CAP END (ROOM)
- Ⓔ .25" ID HOSE
CAP END (LIFT)
- Ⓕ .25" ID HOSE
CAP END (ROOM)

- Ⓖ 03 HOSE
ROD END - ALWAYS PRESSURIZED -
HOSES MUST MAINTAIN EQUAL
LENGTH AND DIAMETER
- Ⓗ .25" ID HOSE
CAP END - HOSES MUST MAINTAIN
EQUAL LENGTH AND DIAMETER
- Ⓘ AP24632 HOSE ASSY HWH02HP x 48"
ROD END - ALWAYS PRESSURIZED -
HOSES MUST MAINTAIN EQUAL
LENGTH AND DIAMETER
- Ⓧ AP24818 HOSE ASSY HWH02HP x 86"
CAP END - MUST MAINTAIN EQUAL
LENGTH AND DIAMETER
- Ⓚ .25" ID HOSE CAP END (LIFT)
MUST MAINTAIN EQUAL LENGTH
AND DIAMETER
- Ⓛ .25" ID HOSE ROD END (LIFT)
ALWAYS PRESSURIZED - MUST MAINTAIN
EQUAL LENGTH AND DIAMETER

NOTE: HOSES Ⓘ AND Ⓧ ARE INCLUDED
WITH THE ROOM EXTENSION MECHANISM

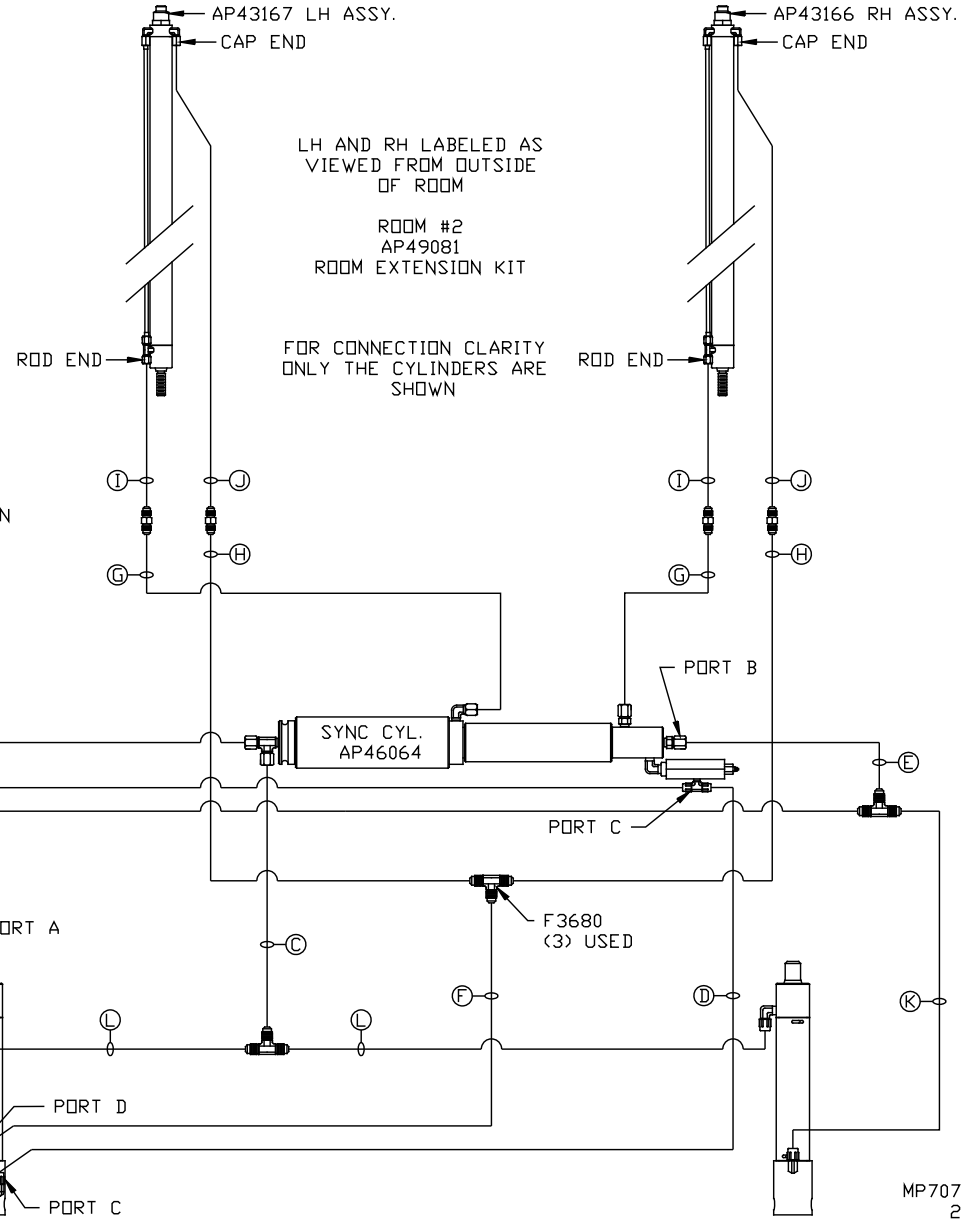


SIDE VIEW PUMP/MANIFOLD-AP53328

LOCATION AND ORIENTATION OF
PUMP/MANIFOLD ASSEMBLY WILL
DIFFER DEPENDING UPON O.E.M.

NOTE: GENERIC VIEWS FOR CLARITY. CYLINDERS MAY BE REVERSED

NOTE: INSTALLATION MUST CONFORM TO GOOD SHOP PRACTICES, SAE
STANDARDS, RVIA STANDARDS, AND OTHER APPLICABLE STANDARDS.



MP70771 C/E
28FEB14

NOTE: HOSES (C) AND (F) ARE INCLUDED WITH THE ROOM EXTENSION MECHANISM

(A) .25" ID HOSE ASSY
ROD END - ALWAYS PRESSURIZED

(B) .25" ID HOSE ASSY
CAP END (ROOM)

(C) .03 HOSE ASSY
ROD END - ALWAYS PRESSURIZED
HOSES MUST MAINTAIN EQUAL LENGTH AND DIAMETER

(D) .25" ID HOSE ASSY
CAP END - HOSES MUST MAINTAIN EQUAL LENGTH AND DIAMETER

(E) AP24632 HOSE ASSY HWH02HP x 48"
ROD END - ALWAYS PRESSURIZED - HOSES MUST MAINTAIN EQUAL LENGTH AND DIAMETER

(F) AP24818 HOSE ASSY HWH02HP x 86"
CAP END - MUST MAINTAIN EQUAL LENGTH AND DIAMETER

(I) .25" ID HOSE ASSY
CAP END (LIFT)

(J) .25" ID HOSE ASSY
CAP END (ROOM)

(K) .25" ID HOSE ASSY
CAP END (ROOM)

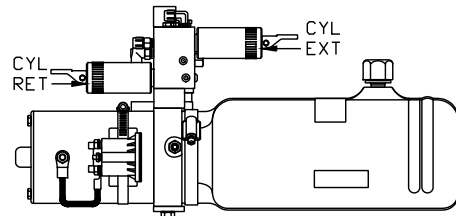
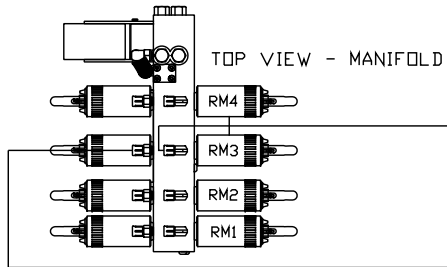
(L) .25" ID HOSE ASSY ROD END (LIFT)
ALWAYS PRESSURIZED

(M) .25" ID HOSE ASSY
CAP END (LIFT)

(N) .25" ID HOSE ASSY
ROD END - ALWAYS PRESSURIZED (LIFT)

(O) .25" ID HOSE ASSY ROD END (LIFT)
ALWAYS PRESSURIZED

(P) .25" ID HOSE ASSY
CAP END LIFT

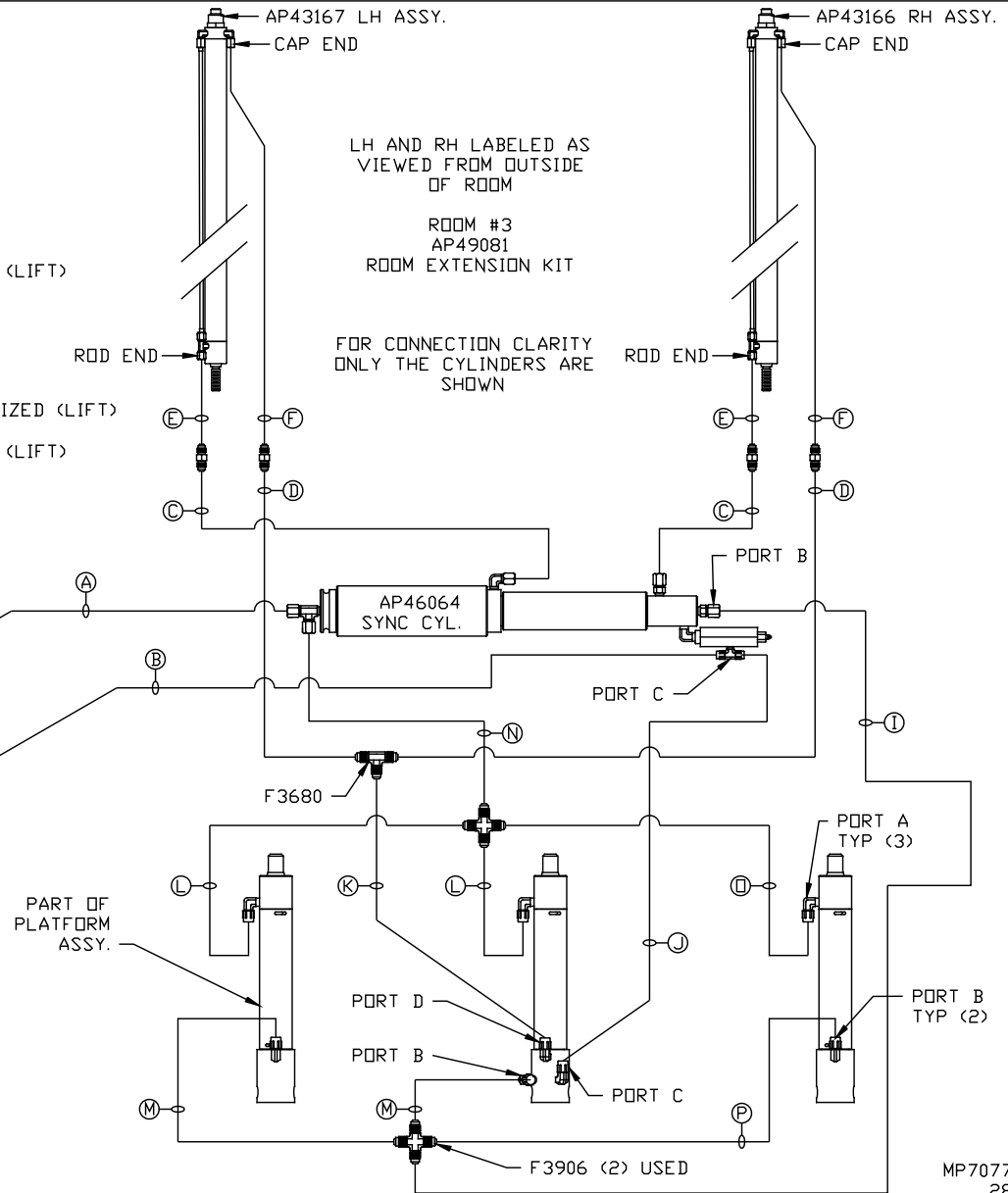


SIDE VIEW PUMP/MANIFOLD-AP53328

LOCATION AND ORIENTATION OF PUMP/MANIFOLD ASSEMBLY WILL DIFFER DEPENDING UPON O.E.M.

NOTE: GENERIC VIEWS FOR CLARITY. CYLINDERS MAY BE REVERSED

NOTE: INSTALLATION MUST CONFORM TO GOOD SHOP PRACTICES, SAE STANDARDS, RVIA STANDARDS, AND OTHER APPLICABLE STANDARDS.



MP70771 D/E
28FEB14

NOTE: HOSES (C) AND (F) ARE INCLUDED WITH THE ROOM EXTENSION MECHANISM

(A) .25" ID HOSE ASSY
ROD END - ALWAYS PRESSURIZED

(B) .25" ID HOSE ASSY
CAP END (ROOM)

(C) .03 HOSE ASSY
ROD END - ALWAYS PRESSURIZED
HOSES MUST MAINTAIN EQUAL LENGTH AND DIAMETER

(D) .25" ID HOSE ASSY
CAP END - HOSES MUST MAINTAIN EQUAL LENGTH AND DIAMETER

(E) AP24632 HOSE ASSY HWH02HP x 48"
ROD END - ALWAYS PRESSURIZED - HOSES MUST MAINTAIN EQUAL LENGTH AND DIAMETER

(F) AP24818 HOSE ASSY HWH02HP x 86"
CAP END - MUST MAINTAIN EQUAL LENGTH AND DIAMETER

(I) .25" ID HOSE ASSY
CAP END (LIFT)

(J) .25" ID HOSE ASSY
CAP END (ROOM)

(K) .25" ID HOSE ASSY
CAP END (ROOM)

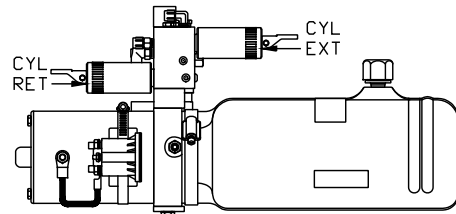
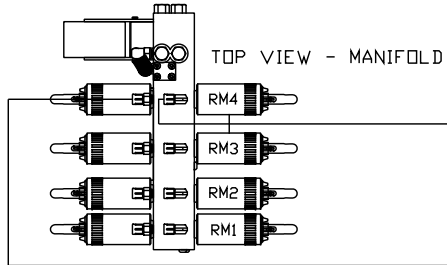
(L) .25" ID HOSE ASSY ROD END (LIFT)
ALWAYS PRESSURIZED

(M) .25" ID HOSE ASSY
CAP END (LIFT)

(N) .25" ID HOSE ASSY
ROD END - ALWAYS PRESSURIZED (LIFT)

(O) .25" ID HOSE ASSY ROD END (LIFT)
ALWAYS PRESSURIZED

(P) .25" ID HOSE ASSY
CAP END LIFT

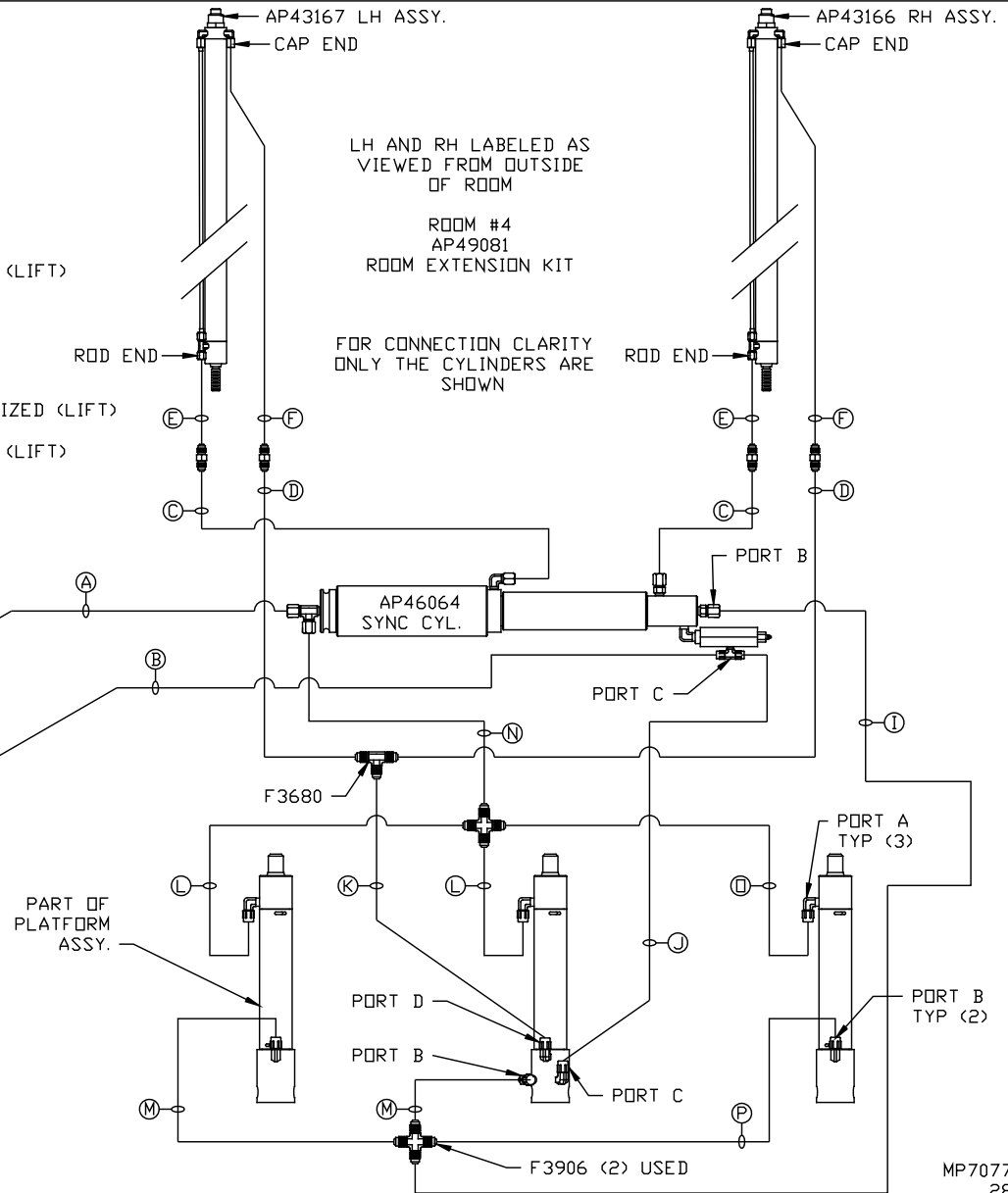


SIDE VIEW PUMP/MANIFOLD-AP53328

LOCATION AND ORIENTATION OF PUMP/MANIFOLD ASSEMBLY WILL DIFFER DEPENDING UPON O.E.M.

NOTE: GENERIC VIEWS FOR CLARITY. CYLINDERS MAY BE REVERSED

NOTE: INSTALLATION MUST CONFORM TO GOOD SHOP PRACTICES, SAE STANDARDS, RVIA STANDARDS, AND OTHER APPLICABLE STANDARDS.



MP70771 E/E
28FEB14