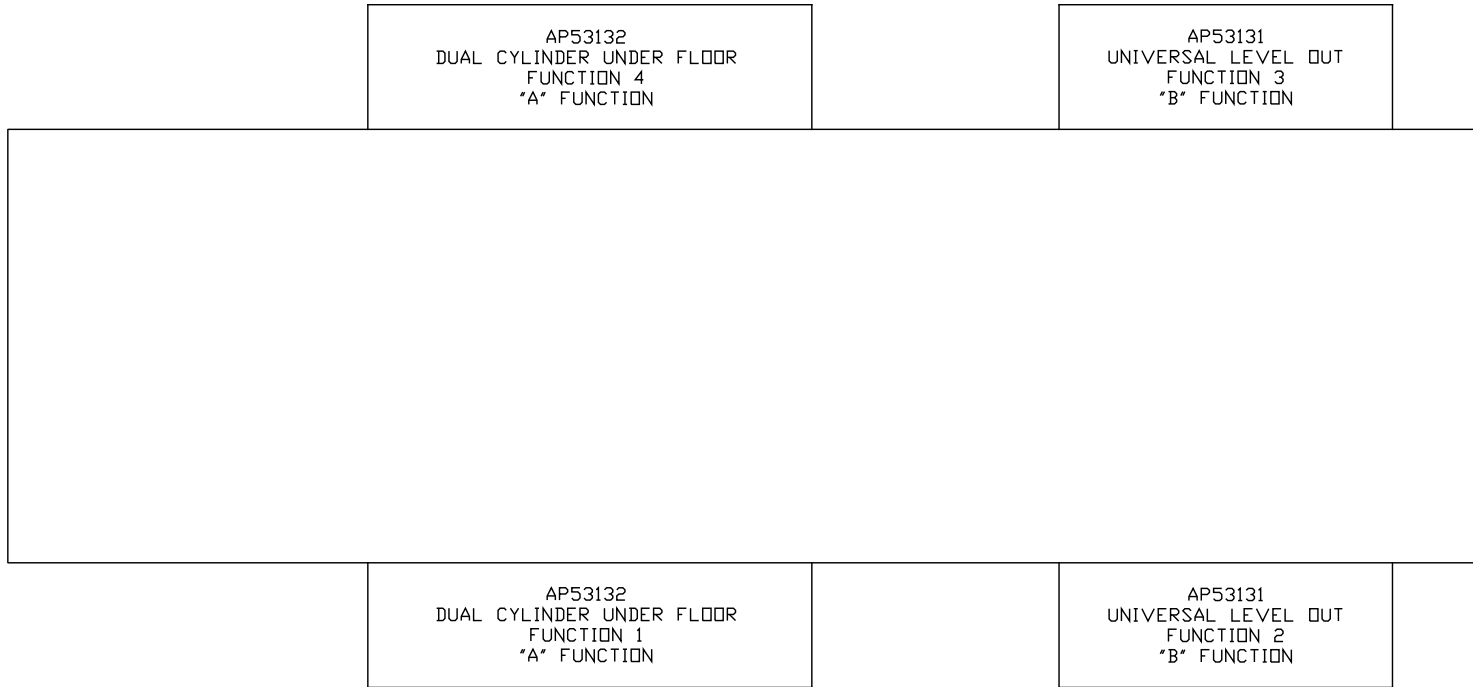


ORIENTATION
 ← FRONT



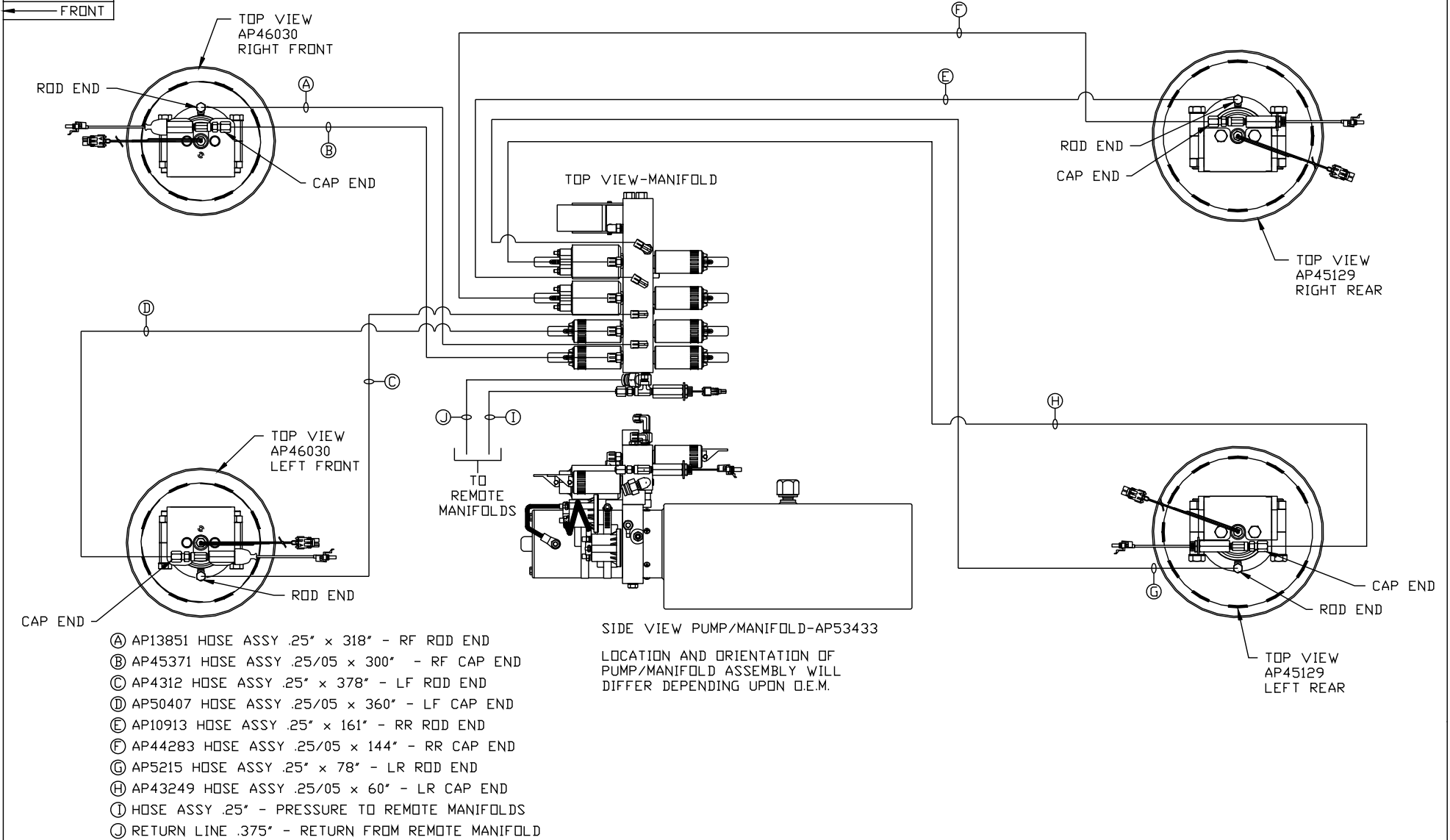
NOTE: INSTALLATION MUST CONFORM TO GOOD SHOP PRACTICES, SAE STANDARDS, RVIA STANDARDS, AND OTHER APPLICABLE STANDARDS.

LEVELING SYSTEM: AP53127

		HWH		I-80 EXIT 267 SOUTH RT 1 MOSCOW, IOWA 52760	
		SCALE 1:6	DATE 16APR14	DRAWN BY .	
△	07MAY15	ADDED NOTE			
NO.	DATE	REVISION			
		HYD CONN DIAGRAM			
		MATTHEWS		DRAWING NUMBER MP70774 A/F	
THE INFORMATION DISCLOSED ON THIS DRAWING IS CONFIDENTIAL AND MUST NOT BE DISCLOSED OR USED IN ANY MANNER WHICH WILL BE DETRIMENTAL TO THE HWH CORPORATION					

ORIENTATION

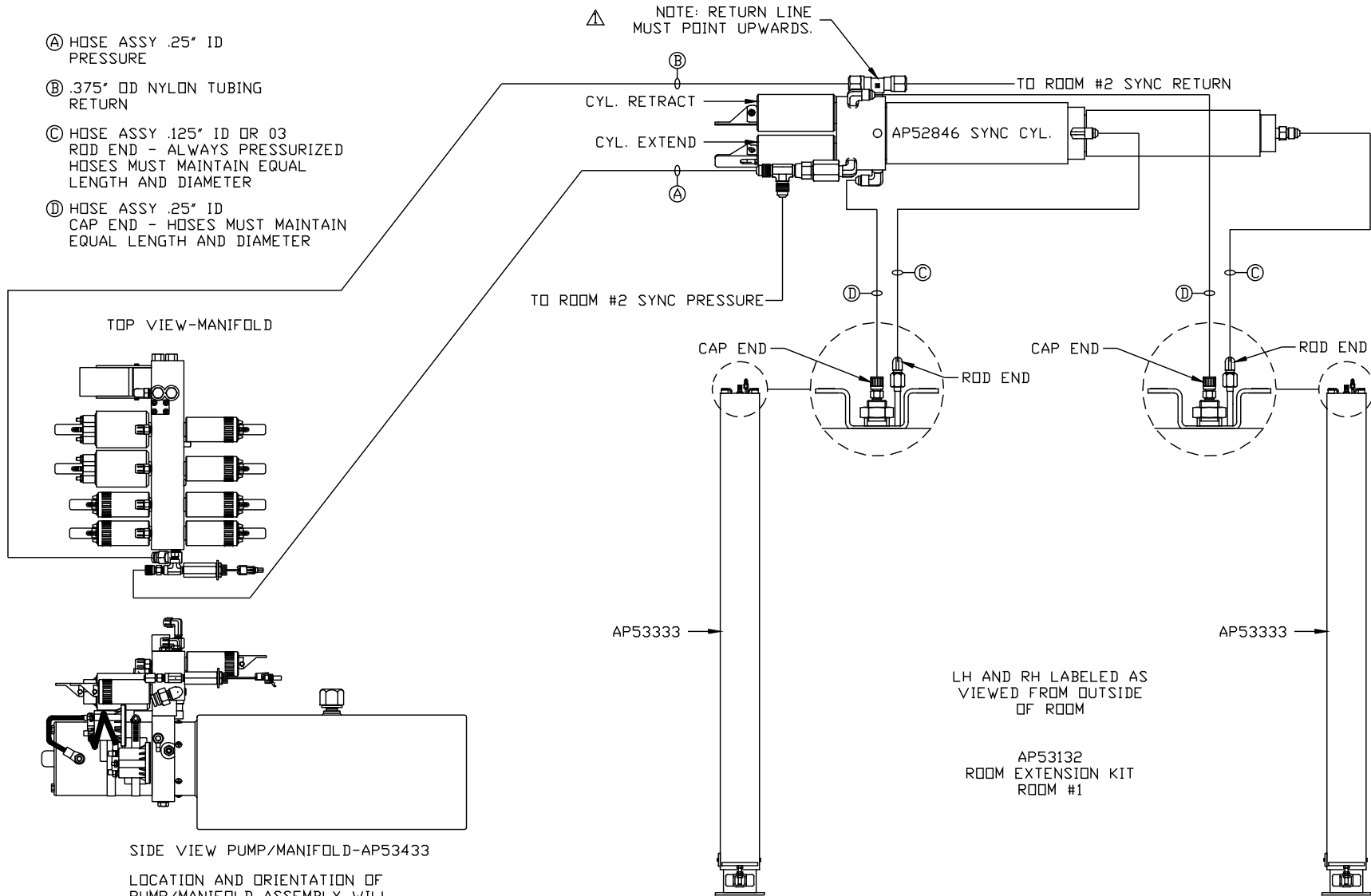
← FRONT



NOTE: INSTALLATION MUST CONFORM TO GOOD SHOP PRACTICES, SAE STANDARDS, RVIA STANDARDS, AND OTHER APPLICABLE STANDARDS.

- Ⓐ HOSE ASSY .25" ID PRESSURE
- Ⓑ .375" OD NYLON TUBING RETURN
- Ⓒ HOSE ASSY .125" ID OR 03 ROD END - ALWAYS PRESSURIZED HOSES MUST MAINTAIN EQUAL LENGTH AND DIAMETER
- Ⓓ HOSE ASSY .25" ID CAP END - HOSES MUST MAINTAIN EQUAL LENGTH AND DIAMETER

⚠ NOTE: RETURN LINE MUST POINT UPWARDS.



SIDE VIEW PUMP/MANIFOLD-AP53433

LOCATION AND ORIENTATION OF PUMP/MANIFOLD ASSEMBLY WILL DIFFER DEPENDING UPON O.E.M.

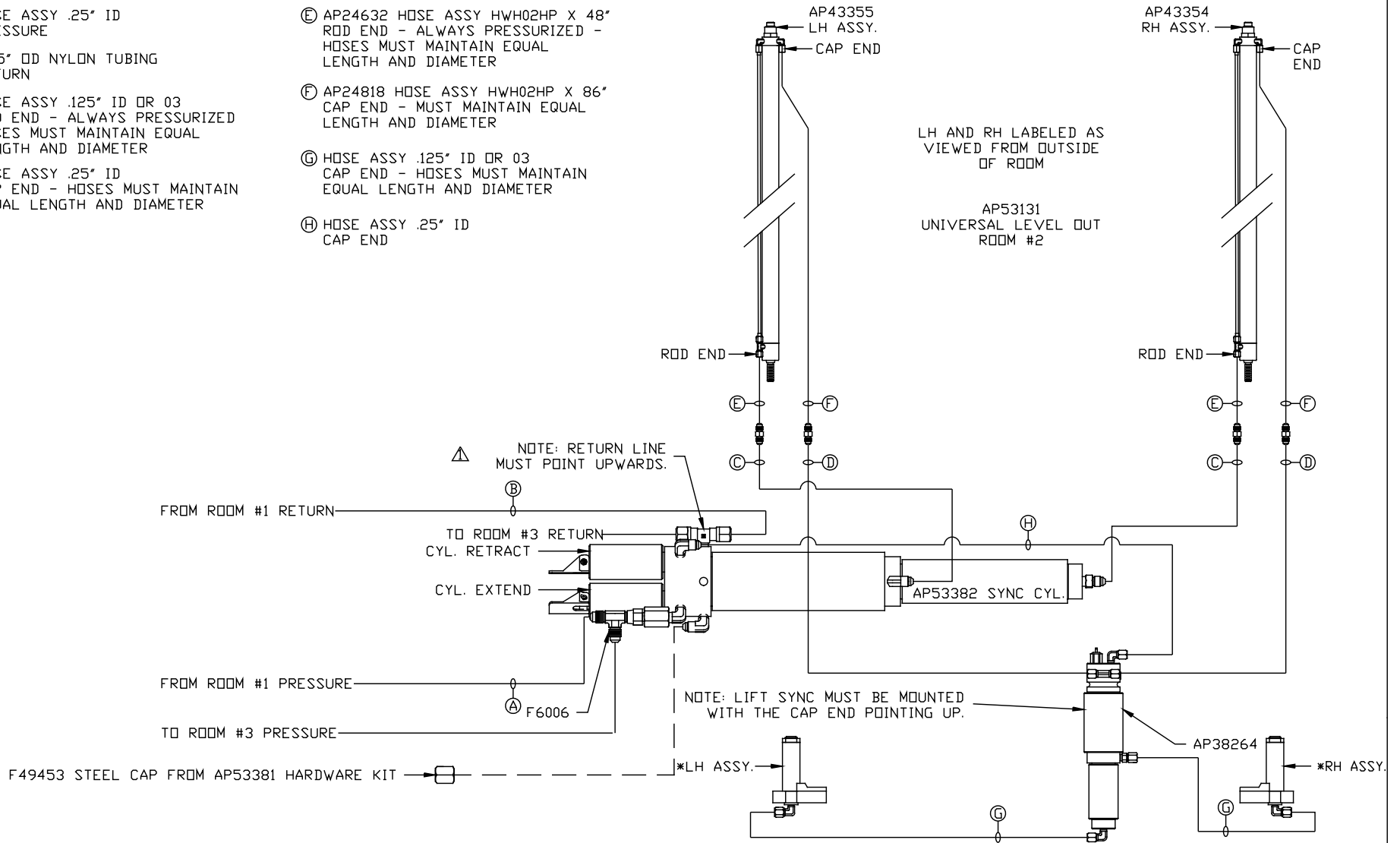
NOTE: INSTALLATION MUST CONFORM TO GOOD SHOP PRACTICES, SAE STANDARDS, RVIA STANDARDS, AND OTHER APPLICABLE STANDARDS.

*: PART OF THE ROOM
EXTENSION MECHANISM.

NOTE: HOSES (C) AND (F) ARE INCLUDED
WITH THE ROOM EXTENSION MECHANISM.

- (A) HOSE ASSY .125" ID
PRESSURE
- (B) .375" OD NYLON TUBING
RETURN
- (C) HOSE ASSY .125" ID DR 03
ROD END - ALWAYS PRESSURIZED -
HOSES MUST MAINTAIN EQUAL
LENGTH AND DIAMETER
- (D) HOSE ASSY .25" ID
CAP END - HOSES MUST MAINTAIN
EQUAL LENGTH AND DIAMETER

- (E) AP24632 HOSE ASSY HWH02HP X 48"
ROD END - ALWAYS PRESSURIZED -
HOSES MUST MAINTAIN EQUAL
LENGTH AND DIAMETER
- (F) AP24818 HOSE ASSY HWH02HP X 86"
CAP END - MUST MAINTAIN EQUAL
LENGTH AND DIAMETER
- (G) HOSE ASSY .125" ID DR 03
CAP END - HOSES MUST MAINTAIN
EQUAL LENGTH AND DIAMETER
- (H) HOSE ASSY .25" ID
CAP END



NOTE: INSTALLATION MUST CONFORM TO GOOD SHOP PRACTICES, SAE
STANDARDS, RVIA STANDARDS, AND OTHER APPLICABLE STANDARDS.

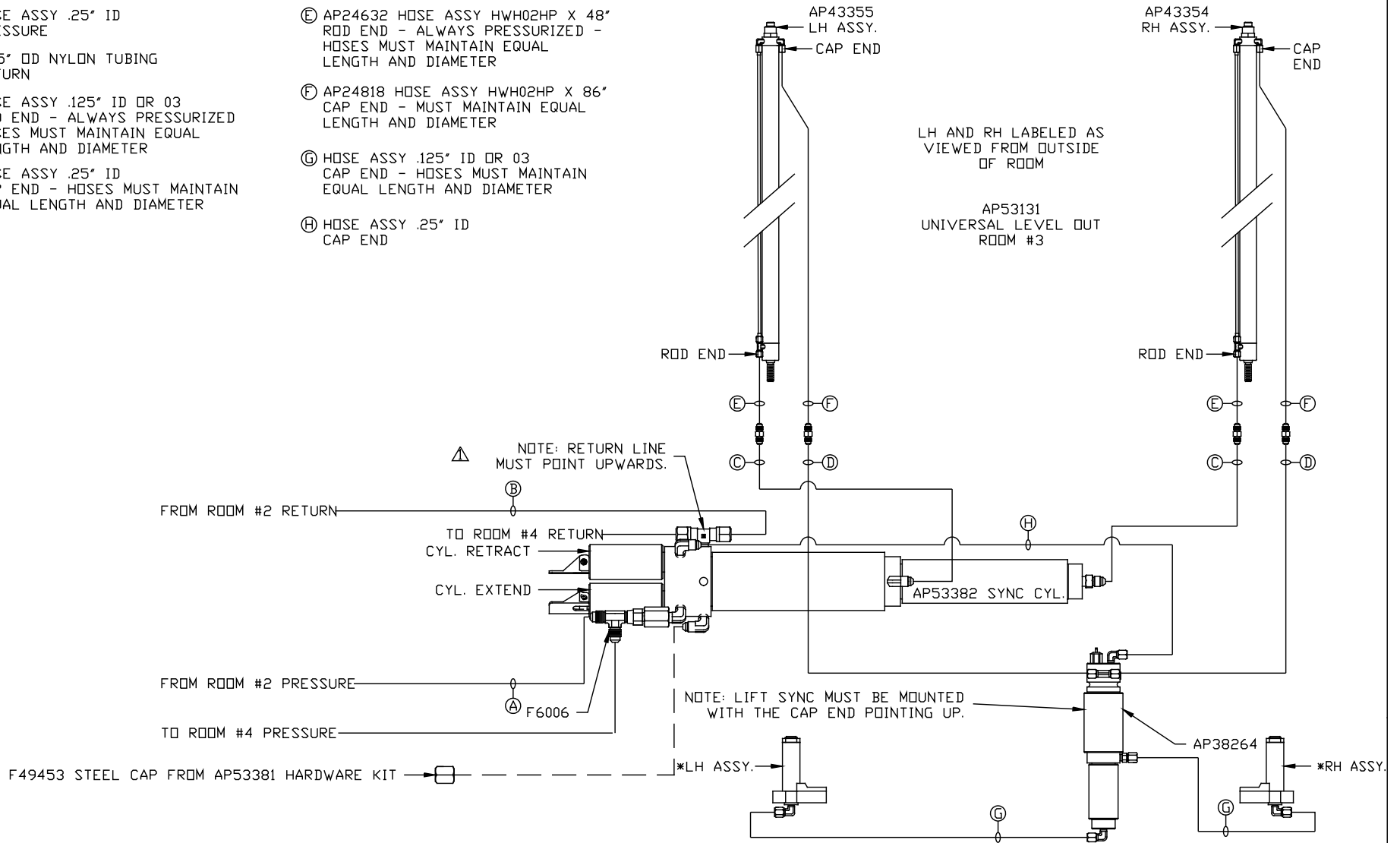
MP70774 D/F
07MAY15

*: PART OF THE ROOM
EXTENSION MECHANISM.

NOTE: HOSES (C) AND (F) ARE INCLUDED
WITH THE ROOM EXTENSION MECHANISM.

- (A) HOSE ASSY .125" ID
PRESSURE
- (B) .375" OD NYLON TUBING
RETURN
- (C) HOSE ASSY .125" ID OR 03
ROD END - ALWAYS PRESSURIZED -
HOSES MUST MAINTAIN EQUAL
LENGTH AND DIAMETER
- (D) HOSE ASSY .25" ID
CAP END - HOSES MUST MAINTAIN
EQUAL LENGTH AND DIAMETER

- (E) AP24632 HOSE ASSY HWH02HP X 48"
ROD END - ALWAYS PRESSURIZED -
HOSES MUST MAINTAIN EQUAL
LENGTH AND DIAMETER
- (F) AP24818 HOSE ASSY HWH02HP X 86"
CAP END - MUST MAINTAIN EQUAL
LENGTH AND DIAMETER
- (G) HOSE ASSY .125" ID OR 03
CAP END - HOSES MUST MAINTAIN
EQUAL LENGTH AND DIAMETER
- (H) HOSE ASSY .25" ID
CAP END



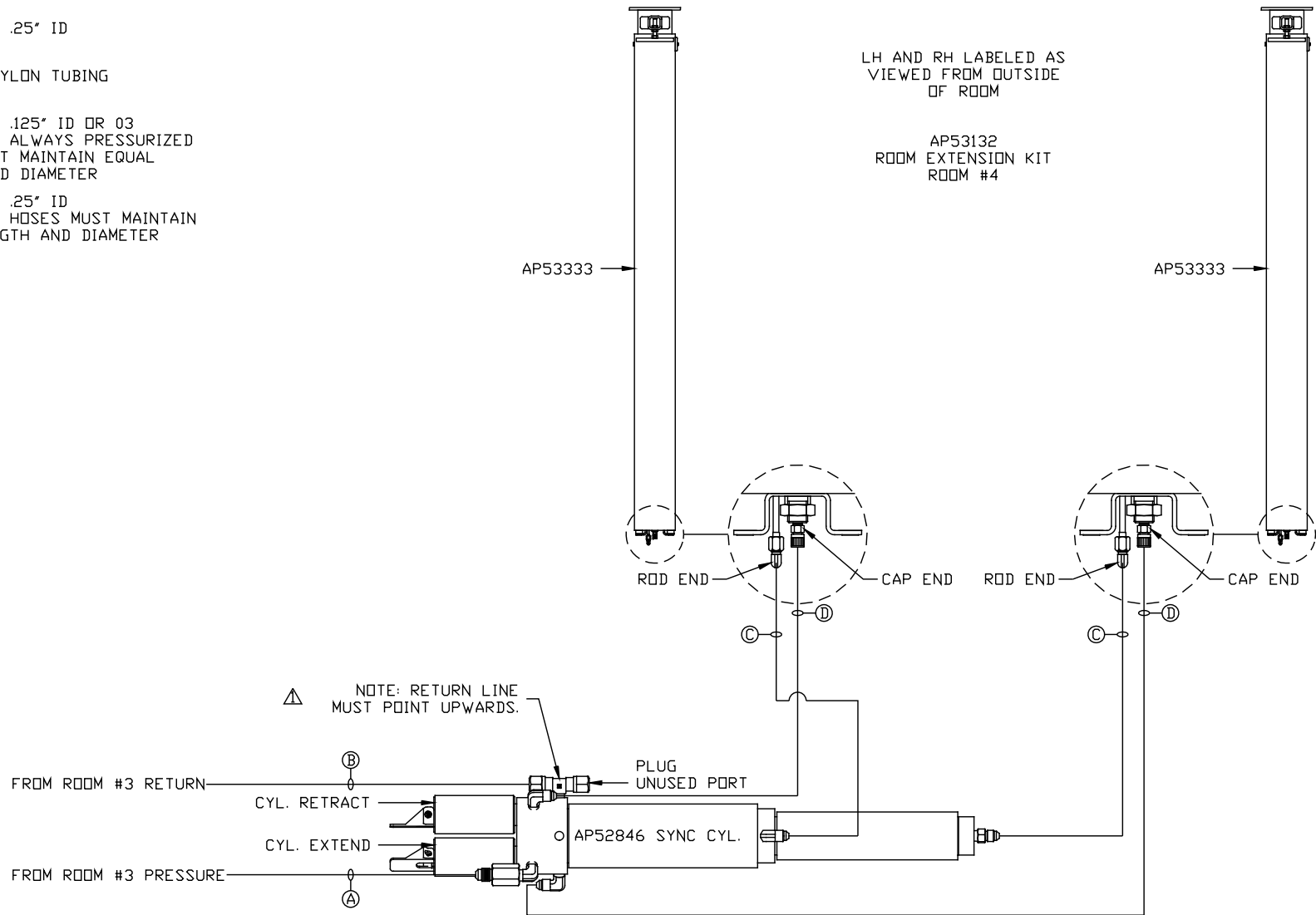
NOTE: INSTALLATION MUST CONFORM TO GOOD SHOP PRACTICES, SAE
STANDARDS, RVIA STANDARDS, AND OTHER APPLICABLE STANDARDS.

MP70774 E/F
07MAY15

- Ⓐ HOSE ASSY .25" ID
PRESSURE
- Ⓑ .375" OD NYLON TUBING
RETURN
- Ⓒ HOSE ASSY .125" ID OR 03
ROD END - ALWAYS PRESSURIZED
HOSES MUST MAINTAIN EQUAL
LENGTH AND DIAMETER
- Ⓓ HOSE ASSY .25" ID
CAP END - HOSES MUST MAINTAIN
EQUAL LENGTH AND DIAMETER

LH AND RH LABELED AS
VIEWED FROM OUTSIDE
OF ROOM

AP53132
ROOM EXTENSION KIT
ROOM #4



NOTE: INSTALLATION MUST CONFORM TO GOOD SHOP PRACTICES, SAE
STANDARDS, RVIA STANDARDS, AND OTHER APPLICABLE STANDARDS.

MP70774 F/F
16APR14