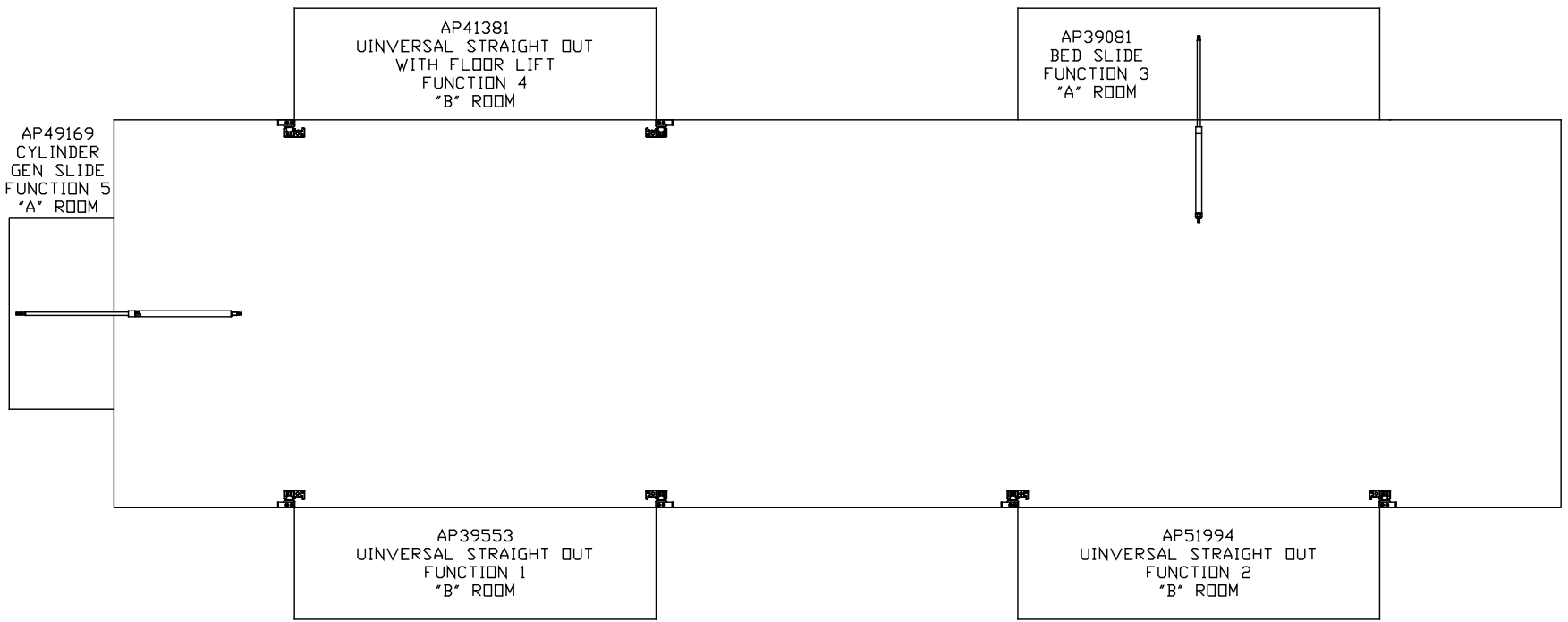


ORIENTATION
 ← FRONT



NOTE: INSTALLATION MUST CONFORM TO GOOD SHOP PRACTICES, SAE STANDARDS, RVIA STANDARDS, AND OTHER APPLICABLE STANDARDS.

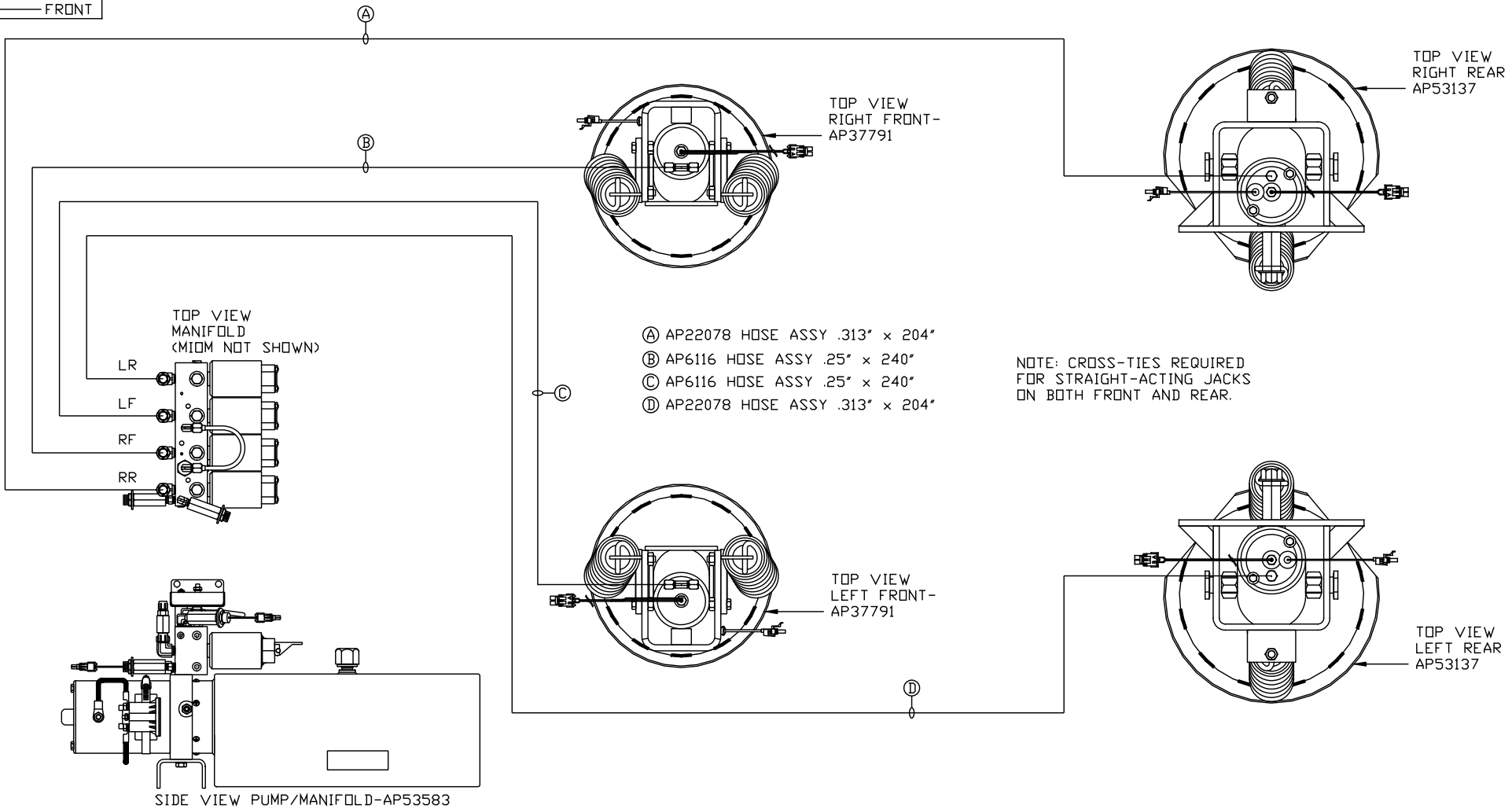
LEVELING SYSTEM: AP53543

NO.	DATE	REVISION
4	31AUG15	ADDED 'G' SHEET
△	13MAY15	CORRECTED TYPO
△	21JAN15	CORRECTED ROD/CAP
1	13AUG14	UPDATED HOSES

THE INFORMATION DISCLOSED ON THIS DRAWING IS CONFIDENTIAL AND MUST NOT BE DISCLOSED OR USED IN ANY MANNER WHICH WILL BE DETRIMENTAL TO THE HWH CORPORATION

HWH		I-80 EXIT 267 SOUTH RT 1 MOSCOW, IOWA 52760	
		SCALE 1:6	DATE 05MAY14
HYD CONN DIAGRAM		DRAWN BY .	
FORETRAVEL		DRAWING NUMBER MP70776 A/G	

ORIENTATION
 ← FRONT



- Ⓐ AP22078 HOSE ASSY .313" x 204"
- Ⓑ AP6116 HOSE ASSY .25" x 240"
- Ⓒ AP6116 HOSE ASSY .25" x 240"
- Ⓓ AP22078 HOSE ASSY .313" x 204"

NOTE: CROSS-TIES REQUIRED FOR STRAIGHT-ACTING JACKS ON BOTH FRONT AND REAR.

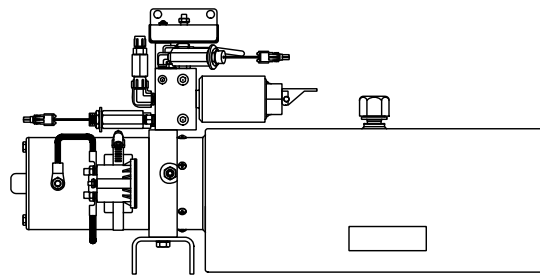
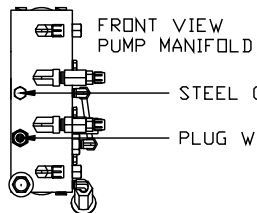
NOTE: INSTALLATION MUST CONFORM TO GOOD SHOP PRACTICES, SAE STANDARDS, RVIA STANDARDS, AND OTHER APPLICABLE STANDARDS.

MP70776 B/G
 31AUG15

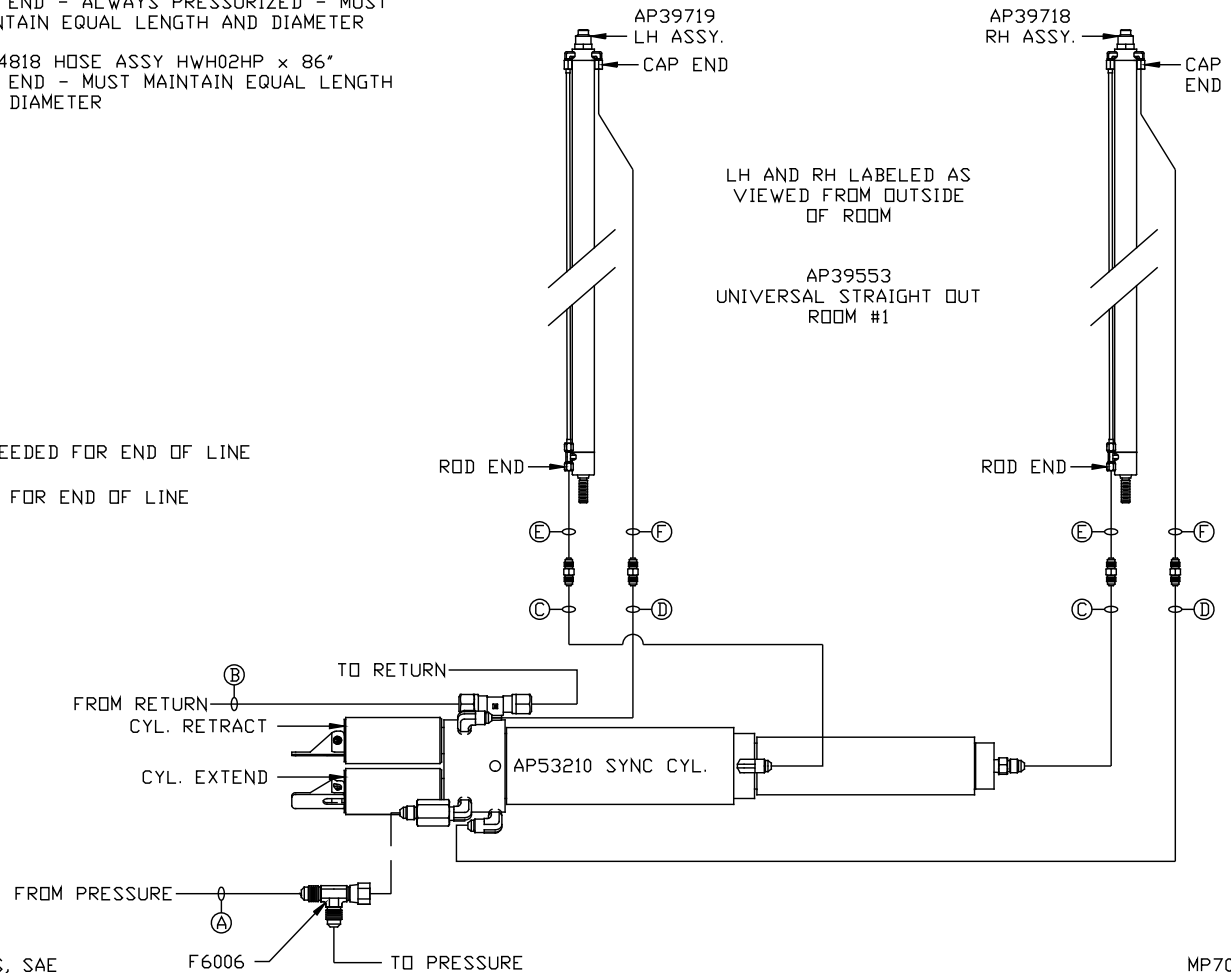
NOTE: HOSES (E) AND (F) ARE INCLUDED WITH THE ROOM EXTENSION MECHANISM

- (A) AP6115 HOSE ASSY .25 x 168" PRESSURE
- (B) .375" TUBING RETURN
- (C) AP53067 HOSE ASSY 03 x 276" WAS AP51449 HOSE ASSY 03F x 120" ROD END - ALWAYS PRESSURIZED - MUST MAINTAIN EQUAL LENGTH AND DIAMETER
- (D) AP49518 HOSE ASSY 03 x 280" WAS AP49734 HOSE ASSY 03 x 118" CAP END - MUST MAINTAIN EQUAL LENGTH AND DIAMETER

- (E) AP24632 HOSE ASSY HWH02HP x 48" ROD END - ALWAYS PRESSURIZED - MUST MAINTAIN EQUAL LENGTH AND DIAMETER
- (F) AP24818 HOSE ASSY HWH02HP x 86" CAP END - MUST MAINTAIN EQUAL LENGTH AND DIAMETER



SIDE VIEW PUMP/MANIFOLD-AP53583



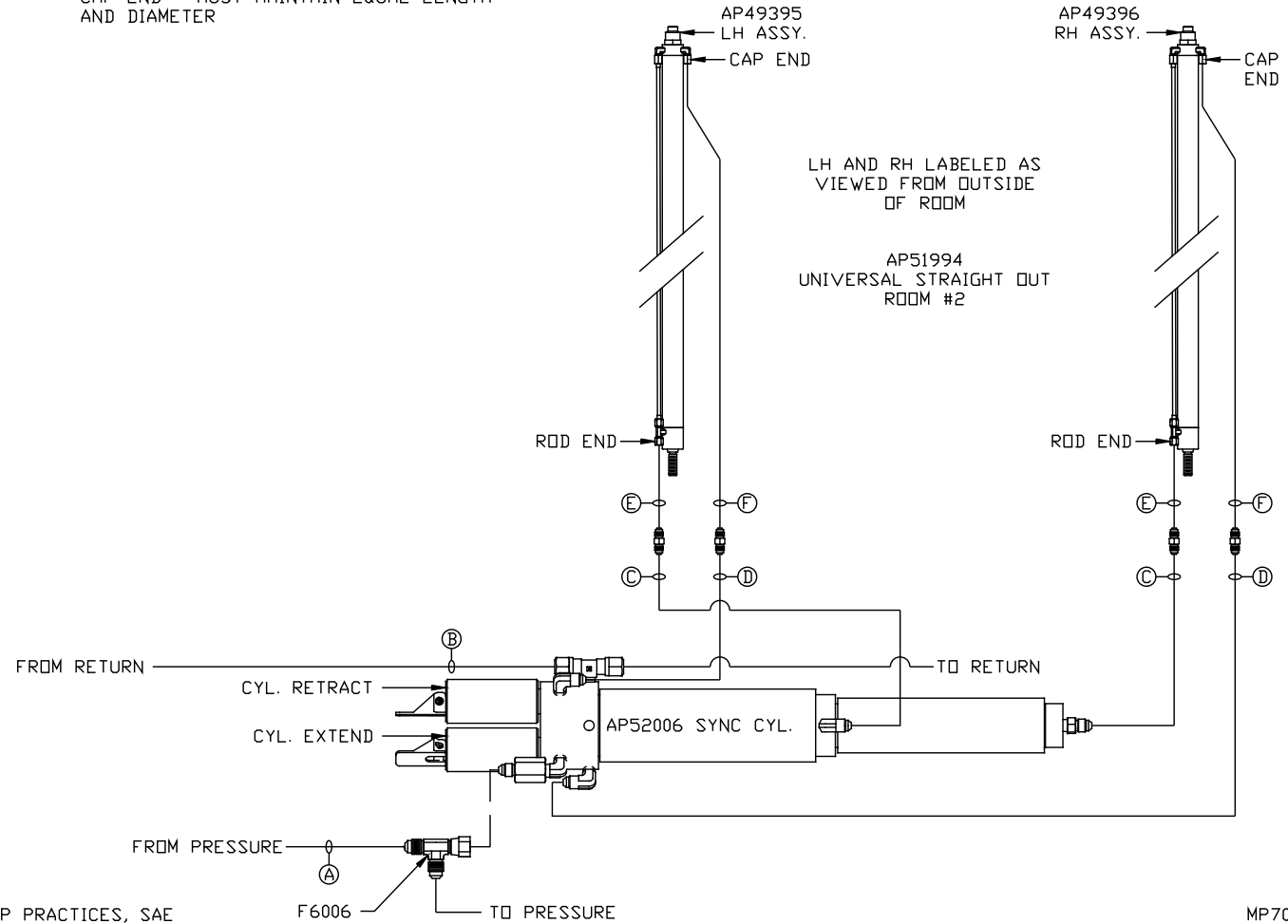
NOTE: INSTALLATION MUST CONFORM TO GOOD SHOP PRACTICES, SAE STANDARDS, RVIA STANDARDS, AND OTHER APPLICABLE STANDARDS.

MP70776 C/G
31AUG15

NOTE: HOSES (E) AND (F) ARE INCLUDED WITH THE ROOM EXTENSION MECHANISM

- (A) AP4161 HOSE ASSY .25 x 120" PRESSURE
- (B) .375" TUBING RETURN
- (C) AP51635 HOSE ASSY 03 x 216" WAS AP51449 HOSE ASSY 03F x 120" ROD END - ALWAYS PRESSURIZED - MUST MAINTAIN EQUAL LENGTH AND DIAMETER
- (D) AP51405 HOSE ASSY 03 x 222" WAS AP49734 HOSE ASSY 03 x 118" CAP END - MUST MAINTAIN EQUAL LENGTH AND DIAMETER

- (E) AP24632 HOSE ASSY HWH02HP x 48" ROD END - ALWAYS PRESSURIZED - MUST MAINTAIN EQUAL LENGTH AND DIAMETER
- (F) AP24818 HOSE ASSY HWH02HP x 86" CAP END - MUST MAINTAIN EQUAL LENGTH AND DIAMETER



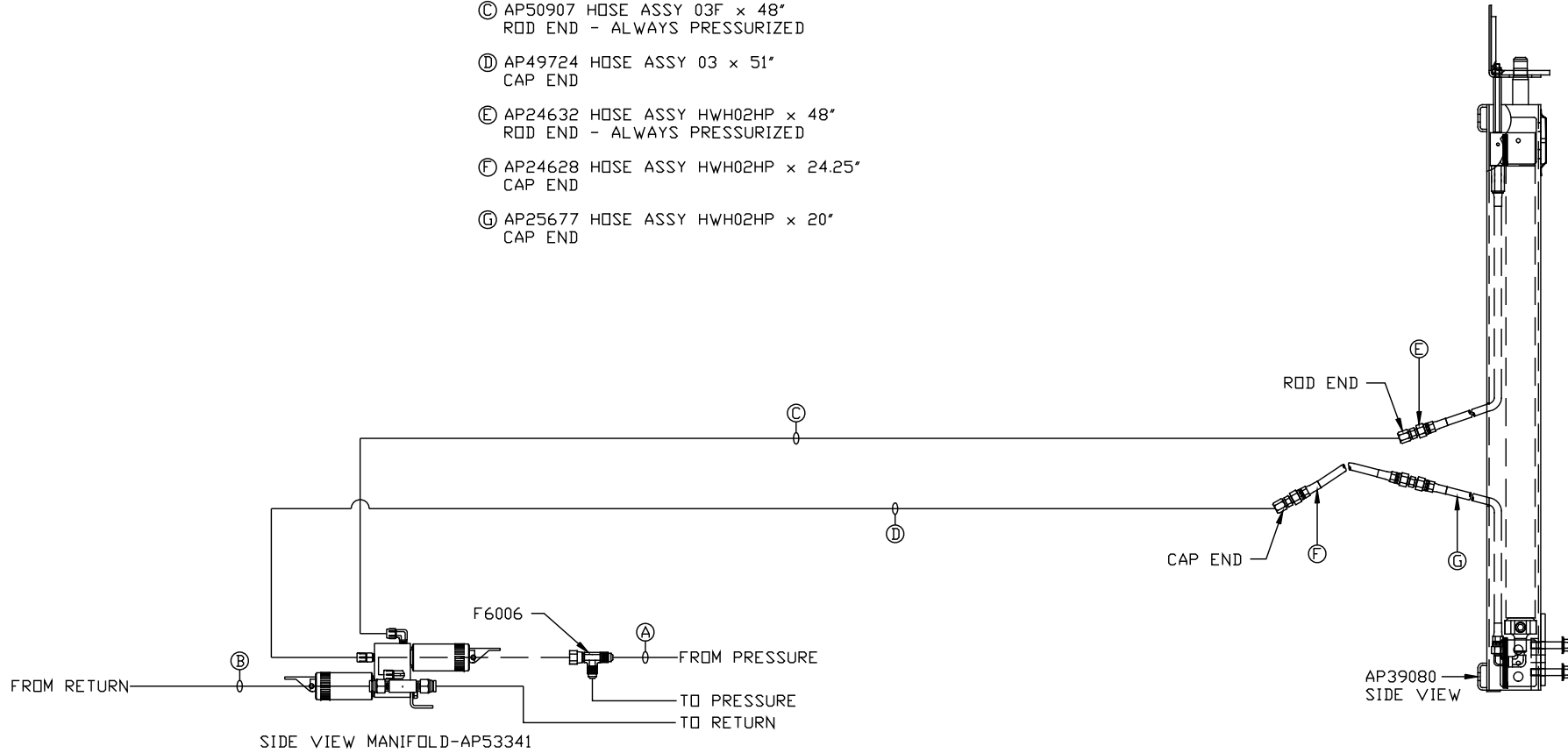
NOTE: INSTALLATION MUST CONFORM TO GOOD SHOP PRACTICES, SAE STANDARDS, RVIA STANDARDS, AND OTHER APPLICABLE STANDARDS.

MP70776 D/G
31AUG15

NOTE: HOSES (E), (F) AND (G) ARE INCLUDED WITH THE ROOM EXTENSION MECHANISM

- (A) AP4161 HOSE ASSY .25 x 120" PRESSURE
- (B) .375" TUBING RETURN
- (C) AP50907 HOSE ASSY 03F x 48" ROD END - ALWAYS PRESSURIZED
- (D) AP49724 HOSE ASSY 03 x 51" CAP END
- (E) AP24632 HOSE ASSY HWH02HP x 48" ROD END - ALWAYS PRESSURIZED
- (F) AP24628 HOSE ASSY HWH02HP x 24.25" CAP END
- (G) AP25677 HOSE ASSY HWH02HP x 20" CAP END

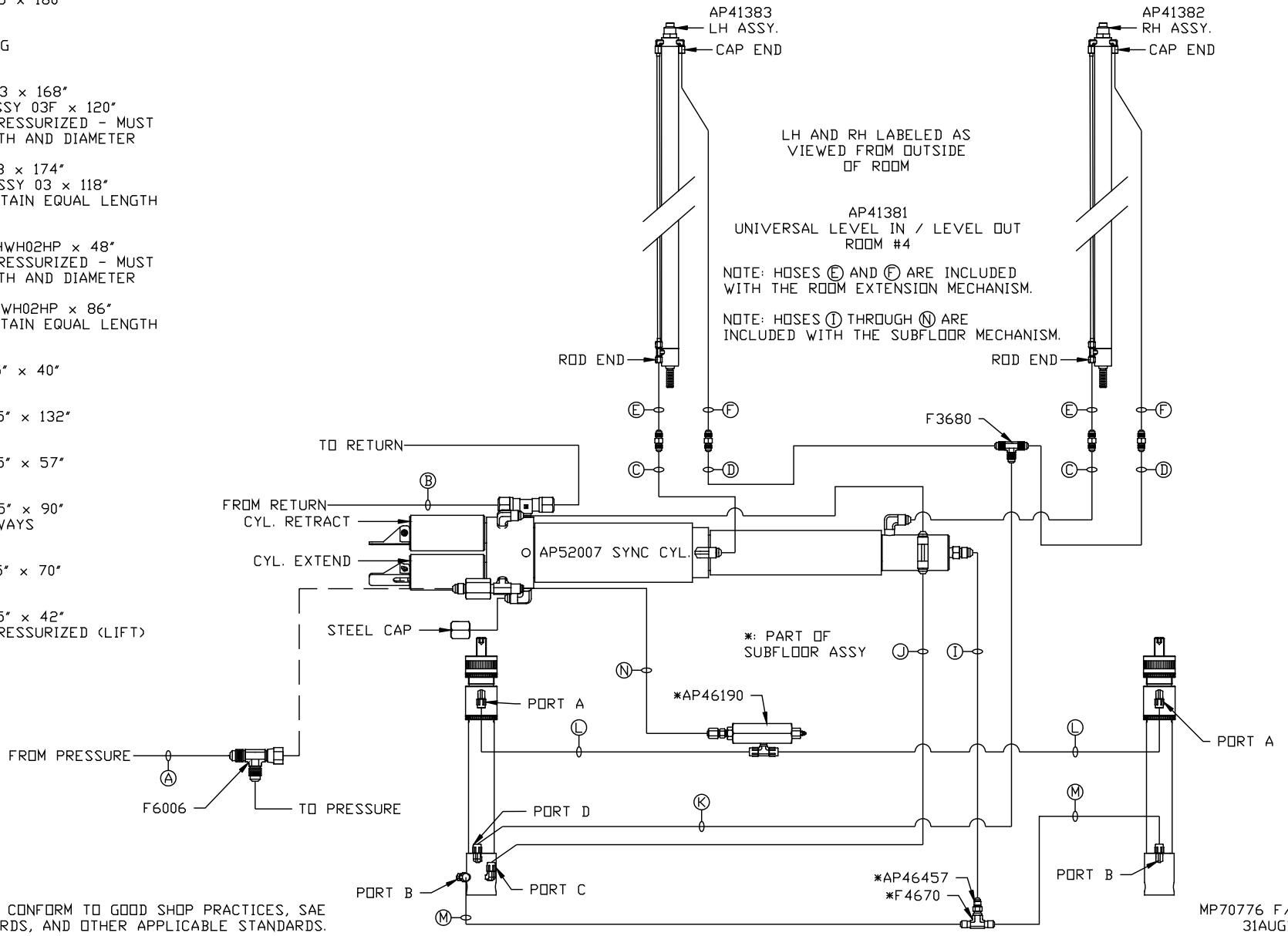
ROOM #3
AP39081
BED SLIDE KIT



NOTE: INSTALLATION MUST CONFORM TO GOOD SHOP PRACTICES, SAE STANDARDS, RVIA STANDARDS, AND OTHER APPLICABLE STANDARDS.

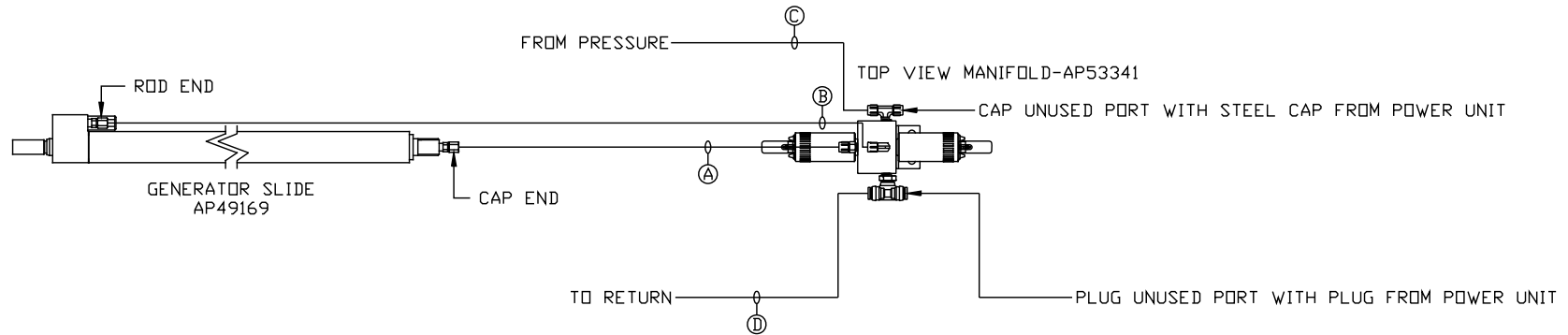
MP70776 E/G
31AUG15

- Ⓐ AP5965 HOSE ASSY .25" x 180"
PRESSURE
- Ⓑ .375" OD NYLON TUBING
RETURN
- Ⓒ AP50261 HOSE ASSY 03" x 168"
WAS AP51449 HOSE ASSY 03F" x 120"
ROD END - ALWAYS PRESSURIZED - MUST
MAINTAIN EQUAL LENGTH AND DIAMETER
- Ⓓ AP14173 HOSE ASSY 03" x 174"
WAS AP49734 HOSE ASSY 03" x 118"
CAP END - MUST MAINTAIN EQUAL LENGTH
AND DIAMETER
- Ⓔ AP24632 HOSE ASSY HWH02HP x 48"
ROD END - ALWAYS PRESSURIZED - MUST
MAINTAIN EQUAL LENGTH AND DIAMETER
- Ⓕ AP24818 HOSE ASSY HWH02HP x 86"
CAP END - MUST MAINTAIN EQUAL LENGTH
AND DIAMETER
- Ⓖ AP4218 HOSE ASSY .25" x 40"
CAP END (LIFT)
- Ⓙ AP4062 HOSE ASSY .25" x 132"
CAP END (LIFT)
- Ⓚ AP5350 HOSE ASSY .25" x 57"
CAP END (ROOM)
- Ⓛ AP4073 HOSE ASSY .25" x 90"
ROD END (LIFT) - ALWAYS
PRESSURIZED
- Ⓜ AP7177 HOSE ASSY .25" x 70"
CAP END (LIFT)
- Ⓝ AP4075 HOSE ASSY .25" x 42"
ROD END - ALWAYS PRESSURIZED (LIFT)



NOTE: INSTALLATION MUST CONFORM TO GOOD SHOP PRACTICES, SAE STANDARDS, RVIA STANDARDS, AND OTHER APPLICABLE STANDARDS.

- Ⓐ AP51448 HOSE ASSY 03F x 60"
CAP END
- Ⓑ AP49725 HOSE ASSY 03 x 59"
ROD END - ALWAYS PRESSURIZED
- Ⓒ AP5965 HOSE ASSY .25 x 180"
PRESSURE
- Ⓓ .375" TUBING
RETURN



NOTE: INSTALLATION MUST CONFORM TO GOOD SHOP PRACTICES, SAE STANDARDS, RVIA STANDARDS, AND OTHER APPLICABLE STANDARDS.

MP70776 G/G
31AUG15