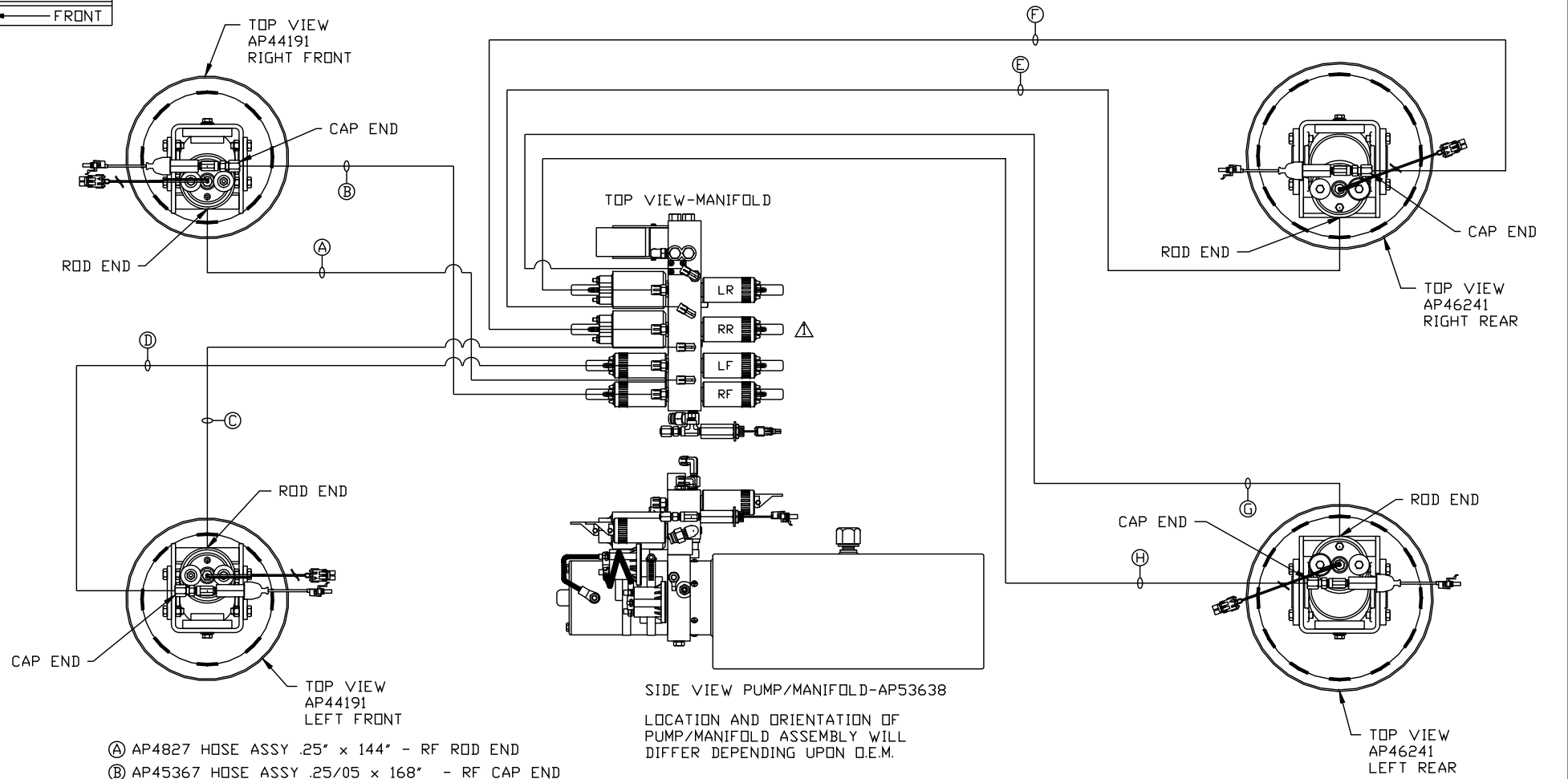


ORIENTATION  
← FRONT



- (A) AP4827 HOSE ASSY .25" x 144" - RF ROD END
- (B) AP45367 HOSE ASSY .25/05 x 168" - RF CAP END
- (C) AP4074 HOSE ASSY .25" x 108" - LF ROD END
- (D) AP44283 HOSE ASSY .25/05 x 144" - LF CAP END
- (E) AP6218 HOSE ASSY .25" x 480" - RR ROD END
- (F) AP47474 HOSE ASSY .25/05 x 480" - RR CAP END
- (G) AP7130 HOSE ASSY .25" x 412" - LR ROD END
- (H) AP49418 HOSE ASSY 25/05 x 444" - LR CAP END

NOTE: INSTALLATION MUST CONFORM TO GOOD SHOP PRACTICES, SAE STANDARDS, RVIA STANDARDS, AND OTHER APPLICABLE STANDARDS.

LEVELING SYSTEM: AP53538

△	06MAY15	CORR. CAP/ROD,ADD NOTE
NO.	DATE	REVISION

THE INFORMATION DISCLOSED ON THIS DRAWING IS CONFIDENTIAL AND MUST NOT BE DISCLOSED OR USED IN ANY MANNER WHICH WILL BE DETRIMENTAL TO THE HWH CORPORATION

HWH			I-80 EXIT 267 SOUTH RT 1 MOSCOW, IOWA 52760		
SCALE 1:6	DATE 05MAY14	DRAWN BY .			
HYD CONN DIAGRAM					
FARBER				DRAWING NUMBER MP70777 A/C	

NOTE: HOSES (E) AND (F) ARE INCLUDED WITH THE ROOM EXTENSION MECHANISM

(A) HOSE ASSY .25 PRESSURE

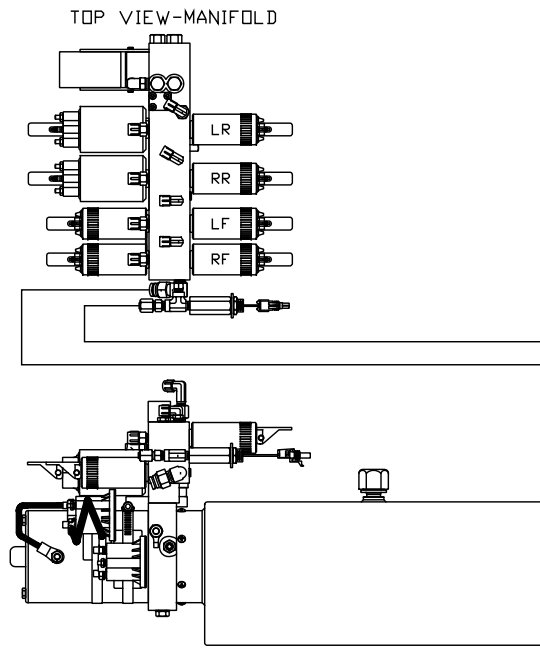
(B) .375" TUBING RETURN

(C) HOSE ASSY 03 ROD END - ALWAYS PRESSURIZED - MUST MAINTAIN EQUAL LENGTH AND DIAMETER

(D) HOSE ASSY .25" OR 03 CAP END - MUST MAINTAIN EQUAL LENGTH AND DIAMETER

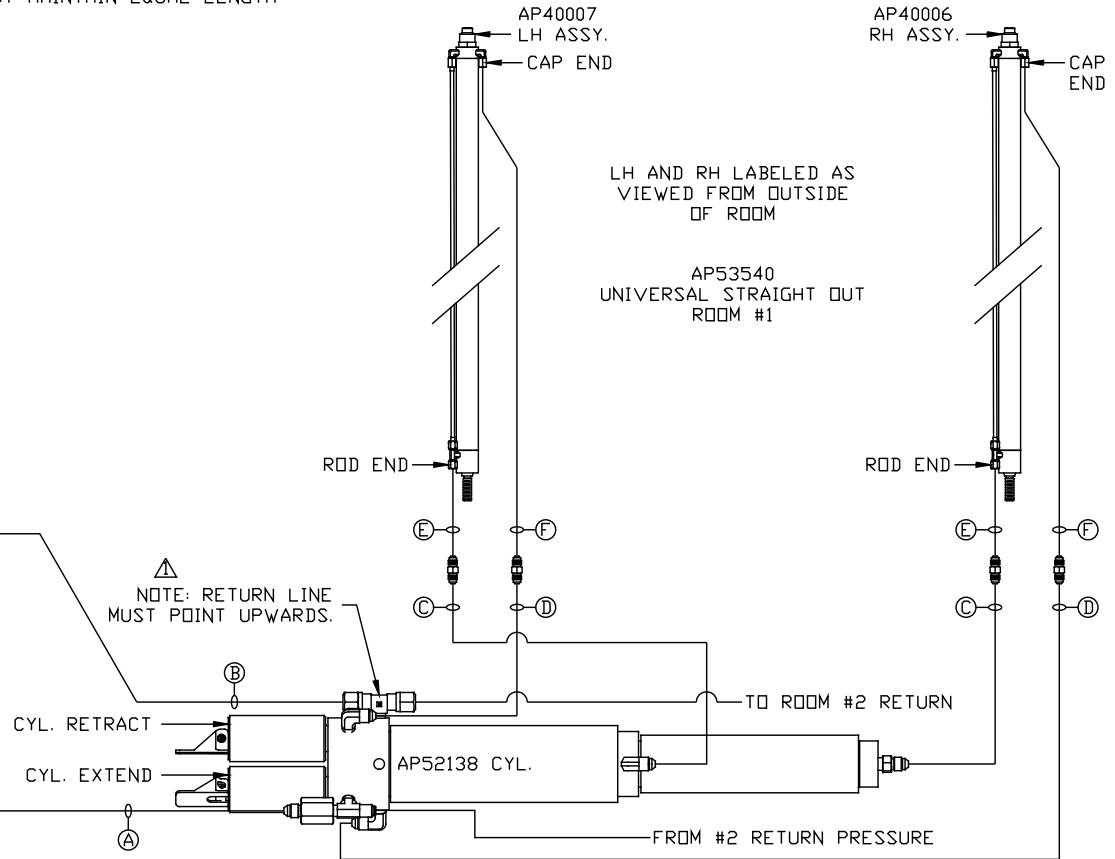
(E) AP24632 HOSE ASSY HWH02HP x 48" ROD END - ALWAYS PRESSURIZED - MUST MAINTAIN EQUAL LENGTH AND DIAMETER

(F) AP24818 HOSE ASSY HWH02HP x 86" CAP END - MUST MAINTAIN EQUAL LENGTH AND DIAMETER



SIDE VIEW PUMP/MANIFOLD-AP53638

LOCATION AND ORIENTATION OF PUMP/MANIFOLD ASSEMBLY WILL DIFFER DEPENDING UPON O.E.M.



NOTE: INSTALLATION MUST CONFORM TO GOOD SHOP PRACTICES, SAE STANDARDS, RVIA STANDARDS, AND OTHER APPLICABLE STANDARDS.

MP70777 B/C  
06MAY15

NOTE: HOSES (E) AND (F) ARE INCLUDED WITH THE ROOM EXTENSION MECHANISM

(A) HOSE ASSY .25 PRESSURE

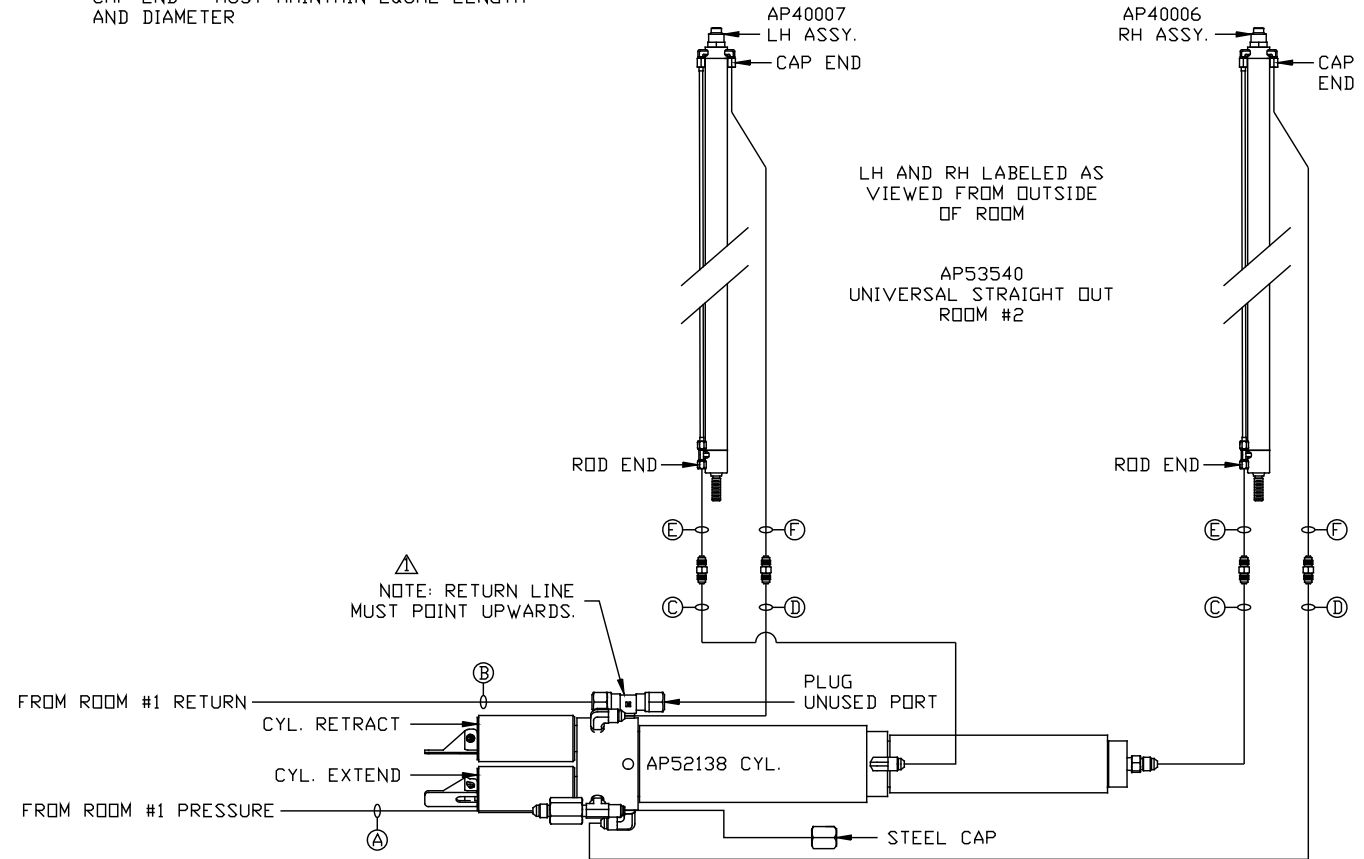
(B) .375" TUBING RETURN

(C) HOSE ASSY 03 ROD END - ALWAYS PRESSURIZED - MUST MAINTAIN EQUAL LENGTH AND DIAMETER

(D) HOSE ASSY .25" OR 03 CAP END - MUST MAINTAIN EQUAL LENGTH AND DIAMETER

(E) AP24632 HOSE ASSY HWH02HP x 48" ROD END - ALWAYS PRESSURIZED - MUST MAINTAIN EQUAL LENGTH AND DIAMETER

(F) AP24818 HOSE ASSY HWH02HP x 86" CAP END - MUST MAINTAIN EQUAL LENGTH AND DIAMETER



NOTE: INSTALLATION MUST CONFORM TO GOOD SHOP PRACTICES, SAE STANDARDS, RVIA STANDARDS, AND OTHER APPLICABLE STANDARDS.

MP70777 C/C  
06MAY15