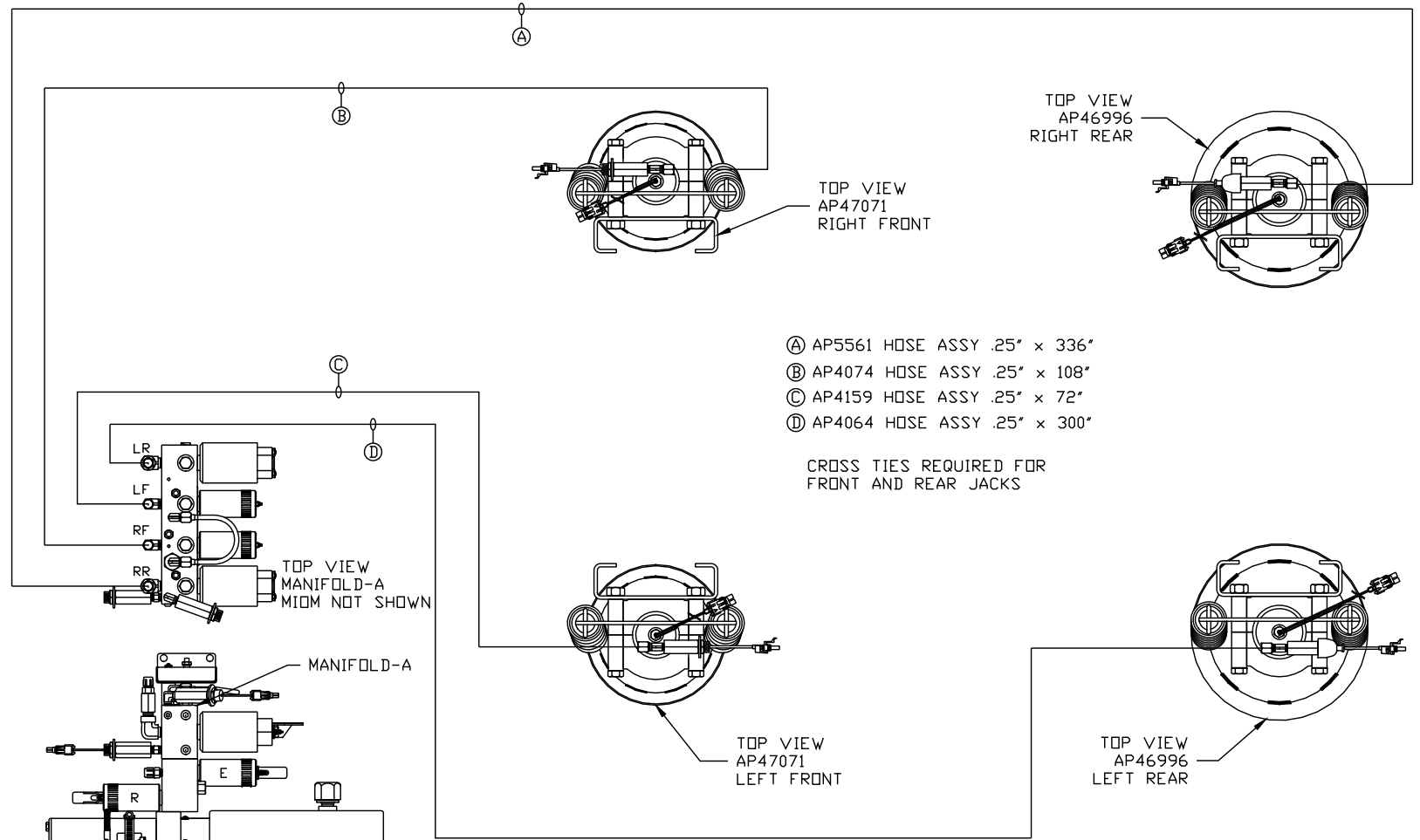
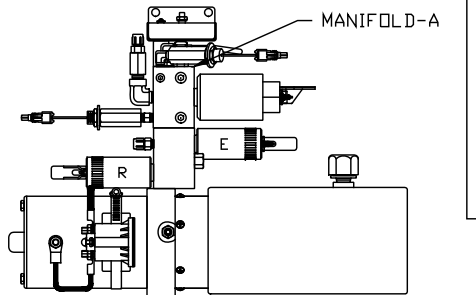


ORIENTATION  
← FRONT



- Ⓐ AP5561 HOSE ASSY .25" x 336"
- Ⓑ AP4074 HOSE ASSY .25" x 108"
- Ⓒ AP4159 HOSE ASSY .25" x 72"
- Ⓓ AP4064 HOSE ASSY .25" x 300"

CROSS TIES REQUIRED FOR FRONT AND REAR JACKS



SIDE VIEW PUMP/MANIFOLD-AP55018 ⚠  
LOCATION AND ORIENTATION OF PUMP/MANIFOLD ASSEMBLY WILL DIFFER DEPENDING UPON O.E.M.

NOTE: INSTALLATION MUST CONFORM TO GOOD SHOP PRACTICES, SAE STANDARDS, RVIA STANDARDS, AND OTHER APPLICABLE STANDARDS.

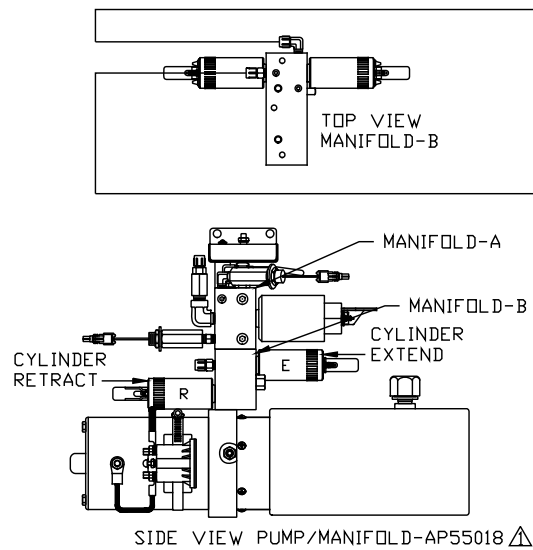
SYNC KIT: AP53365  
LEVELING SYSTEM: AP47690

⚠	18FEB16	UPDATED HOSES
⚠	24NOV15	WAS AP47692
NO.	DATE	REVISION

<b>HWH</b>		I-80 EXIT 267 SOUTH RT 1 MOSCOW, IOWA 52760	
SCALE 1:6	DATE 10JUL14	DRAWN BY .	
HYD CONN DIAGRAM			
TIFFIN		DRAWING NUMBER MP70802 A/B	

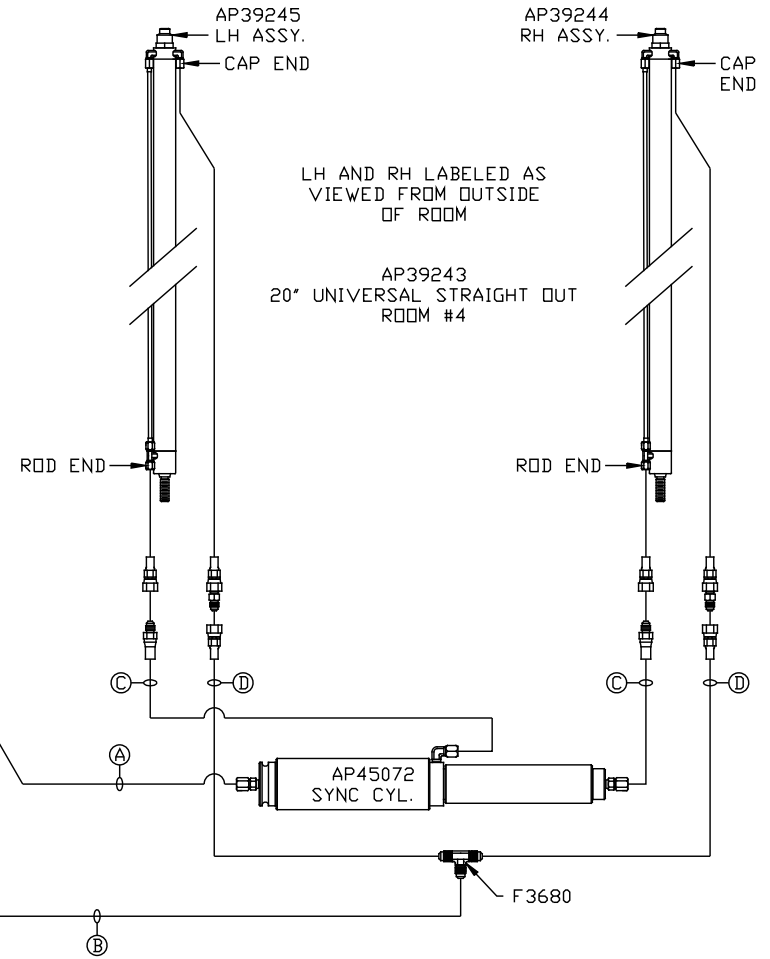
THE INFORMATION DISCLOSED ON THIS DRAWING IS CONFIDENTIAL AND MUST NOT BE DISCLOSED OR USED IN ANY MANNER WHICH WILL BE DETRIMENTAL TO THE HWH CORPORATION

- Ⓐ AP5352 HOSE ASSY .25" x 96"  
ROD END - ALWAYS PRESSURIZED
- Ⓑ AP4159 HOSE ASSY .25" x 72"  
CAP END
- Ⓒ AP50993 HOSE ASSY 03 x 228" MF  
WAS AP50164 HOSE ASSY 03 x 222" MF  
ROD END - ALWAYS PRESSURIZED - MUST  
MAINTAIN EQUAL LENGTH AND DIAMETER
- Ⓓ AP5924 HOSE ASSY .25" x 228"  
WAS AP50163 HOSE ASSY .25" x 222"  
CAP END - MUST MAINTAIN EQUAL LENGTH  
AND DIAMETER



LOCATION AND ORIENTATION OF  
PUMP/MANIFOLD ASSEMBLY WILL  
DIFFER DEPENDING UPON O.E.M.

NOTE: INSTALLATION MUST CONFORM TO GOOD SHOP PRACTICES, SAE  
STANDARDS, RVIA STANDARDS, AND OTHER APPLICABLE STANDARDS.



MP70802 B/B  
18FEB16