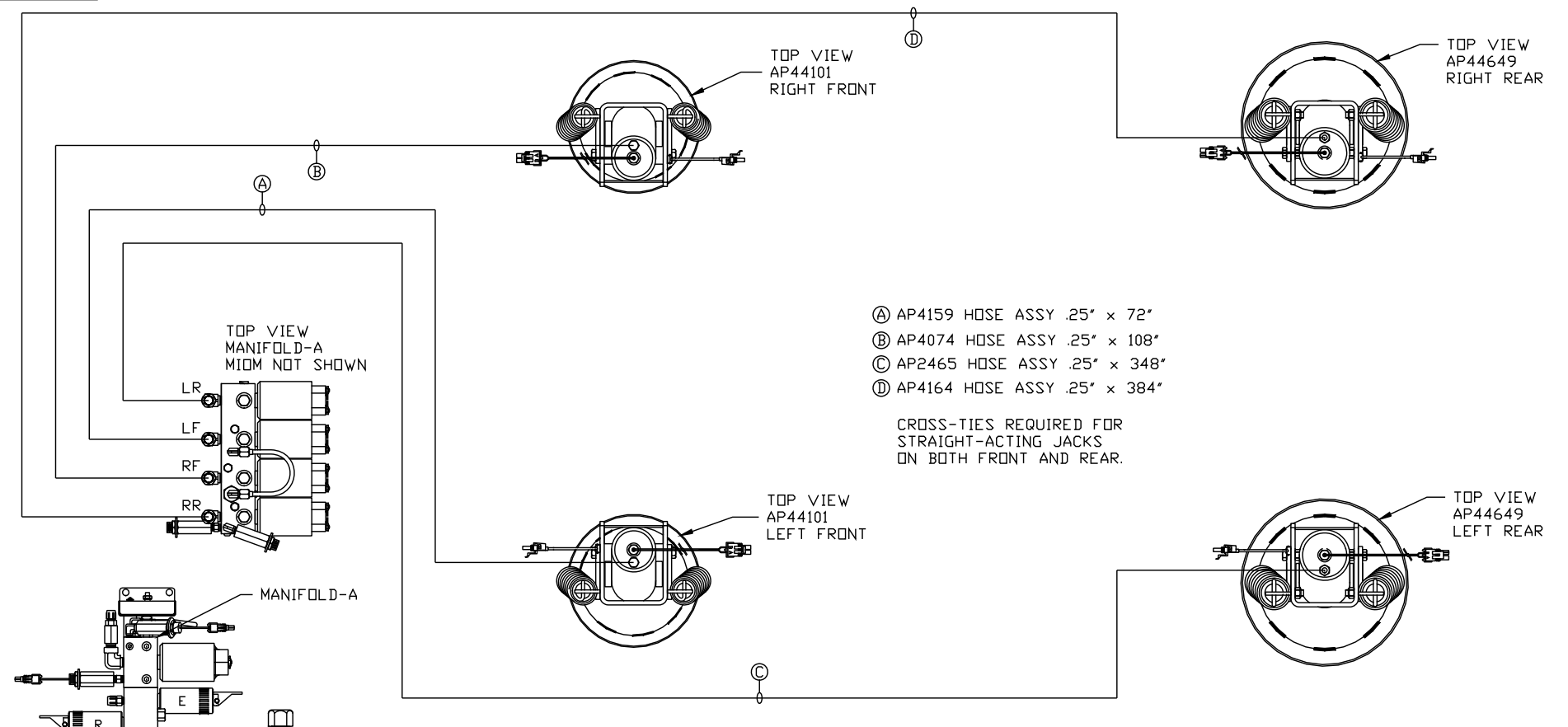
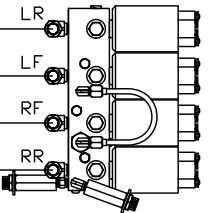


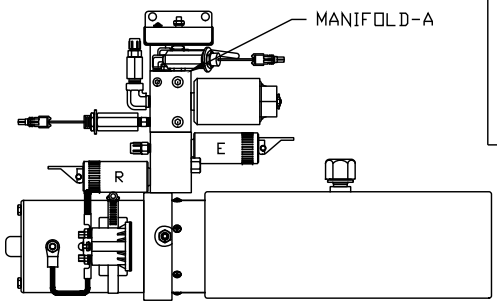
ORIENTATION
← FRONT



TOP VIEW
MANIFOLD-A
MIDM NOT SHOWN



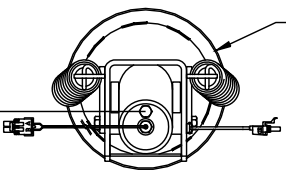
MANIFOLD-A



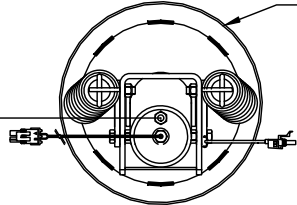
SIDE VIEW PUMP/MANIFOLD-AP55019

LOCATION AND ORIENTATION OF
PUMP/MANIFOLD ASSEMBLY WILL
DIFFER DEPENDING UPON O.E.M.

TOP VIEW
AP44101
RIGHT FRONT



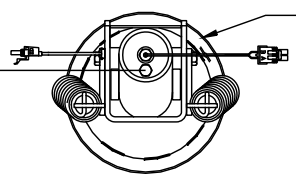
TOP VIEW
AP44649
RIGHT REAR



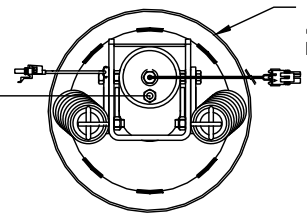
- Ⓐ AP4159 HOSE ASSY .25" x 72"
- Ⓑ AP4074 HOSE ASSY .25" x 108"
- Ⓒ AP2465 HOSE ASSY .25" x 348"
- Ⓓ AP4164 HOSE ASSY .25" x 384"

CROSS-TIES REQUIRED FOR
STRAIGHT-ACTING JACKS
ON BOTH FRONT AND REAR.

TOP VIEW
AP44101
LEFT FRONT



TOP VIEW
AP44649
LEFT REAR



NOTE: INSTALLATION MUST CONFORM TO GOOD SHOP PRACTICES, SAE STANDARDS, RVIA STANDARDS, AND OTHER APPLICABLE STANDARDS.

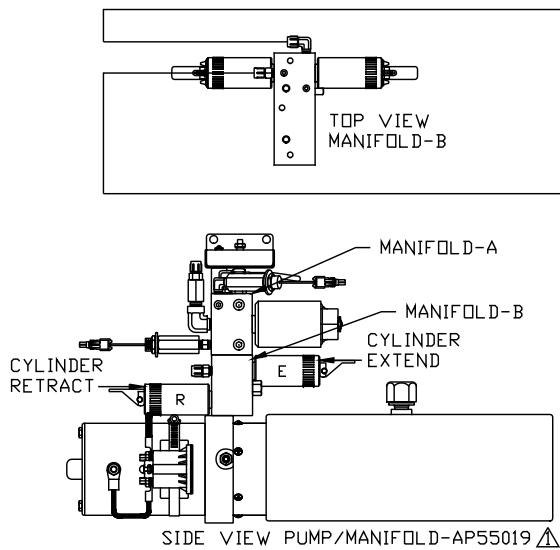
SYNC KIT: AP53369	
PUMP KIT: AP48367	
JACK KIT: AP48362	

⚠	18FEB16	UPDATED HOSES
⚠	24NOV15	WAS AP48368
NO.	DATE	REVISION

HWH			I-80 EXIT 267 SOUTH RT 1 MOSCOW, IOWA 52760		
SCALE 1:6	DATE 14JUL14	DRAWN BY .			
HYD CONN DIAGRAM					
TIFFIN				DRAWING NUMBER MP70804 A/B	

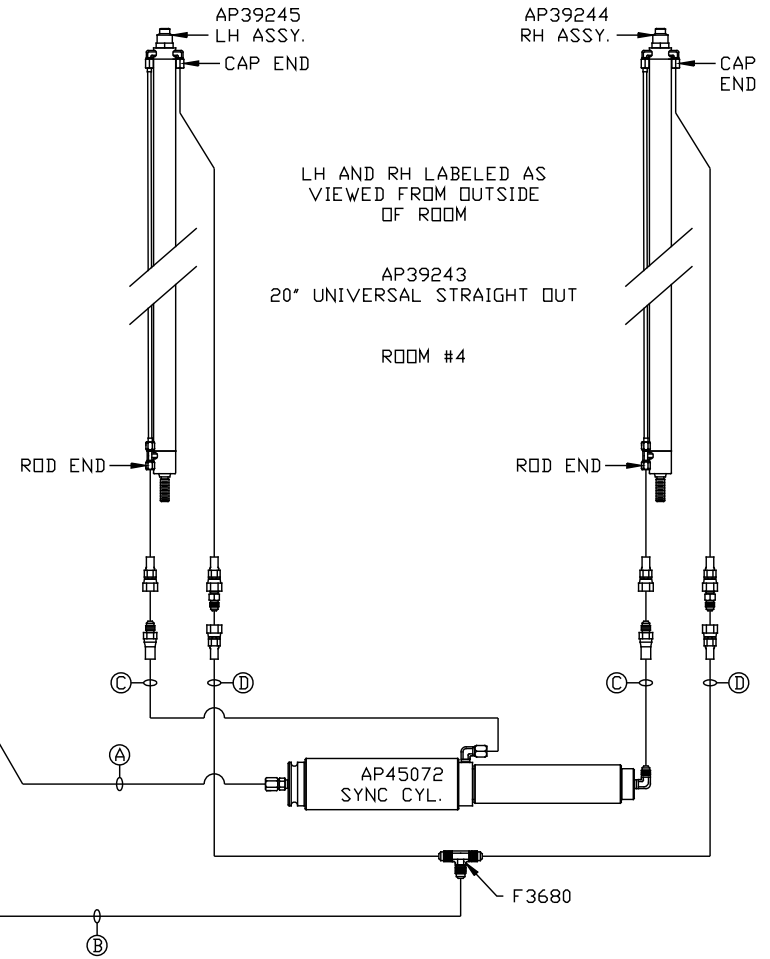
THE INFORMATION DISCLOSED ON THIS DRAWING IS CONFIDENTIAL AND MUST NOT BE DISCLOSED OR USED IN ANY MANNER WHICH WILL BE DETRIMENTAL TO THE HWH CORPORATION

- Ⓐ AP5352 HOSE ASSY .25" x 96"
ROD END - ALWAYS PRESSURIZED
- Ⓑ AP4159 HOSE ASSY .25" x 72"
CAP END
- Ⓒ AP50993 HOSE ASSY 03 x 228" MF
WAS AP50164 HOSE ASSY 03 x 222" MF
ROD END - ALWAYS PRESSURIZED - MUST
MAINTAIN EQUAL LENGTH AND DIAMETER
- Ⓓ AP5924 HOSE ASSY .25" x 228"
WAS AP50163 HOSE ASSY .25" x 222"
CAP END - MUST MAINTAIN EQUAL LENGTH
AND DIAMETER



LOCATION AND ORIENTATION OF
PUMP/MANIFOLD ASSEMBLY WILL
DIFFER DEPENDING UPON O.E.M.

NOTE: INSTALLATION MUST CONFORM TO GOOD SHOP PRACTICES, SAE
STANDARDS, RVIA STANDARDS, AND OTHER APPLICABLE STANDARDS.



MP70804 B/B
18FEB16