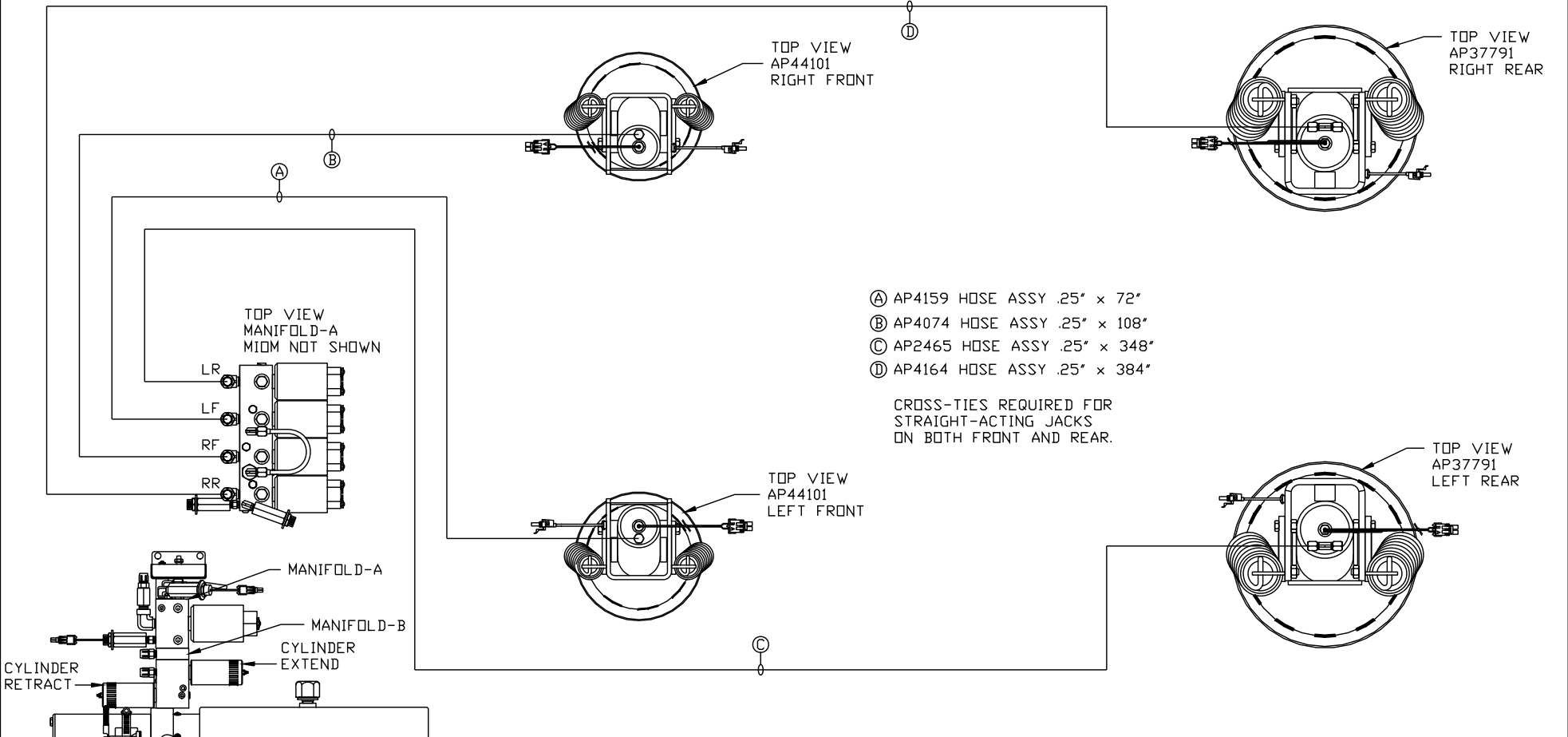
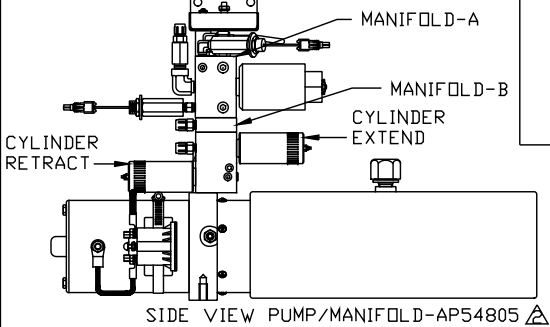


ORIENTATION
 ← FRONT



- Ⓐ AP4159 HOSE ASSY .25" x 72"
- Ⓑ AP4074 HOSE ASSY .25" x 108"
- Ⓒ AP2465 HOSE ASSY .25" x 348"
- Ⓓ AP4164 HOSE ASSY .25" x 384"

CROSS-TIES REQUIRED FOR STRAIGHT-ACTING JACKS ON BOTH FRONT AND REAR.



SIDE VIEW PUMP/MANIFOLD-AP54805

LOCATION AND ORIENTATION OF PUMP/MANIFOLD ASSEMBLY WILL DIFFER DEPENDING UPON O.E.M.

NOTE: INSTALLATION MUST CONFORM TO GOOD SHOP PRACTICES, SAE STANDARDS, RVIA STANDARDS, AND OTHER APPLICABLE STANDARDS.

18FEB16	UPDATED HOSES	
24NOV15	WAS AP48130	
07MAY15	CORRECTED SYNC KIT #	
NO.	DATE	REVISION
1		

SYNC KIT: AP53371
 PUMP KIT: AP48122
 JACK KIT: AP48796

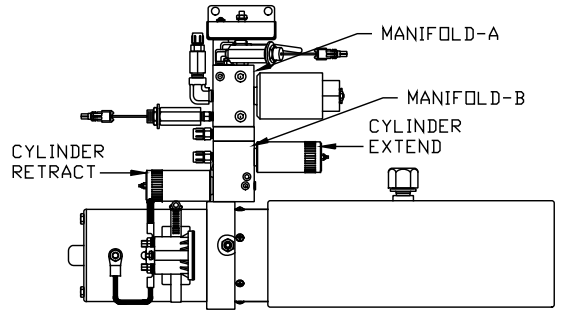
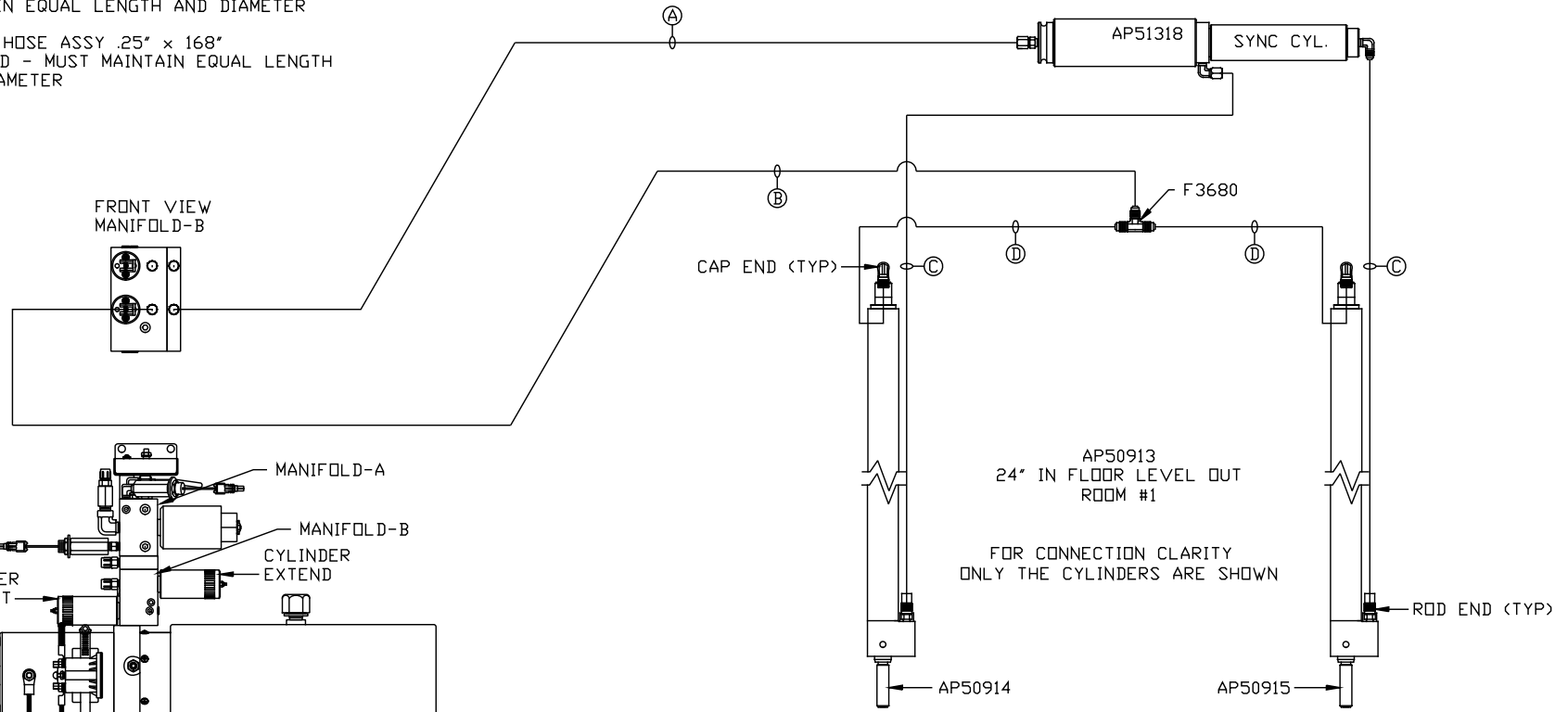
HWH		I-80 EXIT 267 SOUTH RT 1 MOSCOW, IOWA 52760	
SCALE 1:6	DATE 15JUL14	DRAWN BY .	
HYD CONN DIAGRAM			
TIFFIN		DRAWING NUMBER MP70806 A/C	

THE INFORMATION DISCLOSED ON THIS DRAWING IS CONFIDENTIAL AND MUST NOT BE DISCLOSED OR USED IN ANY MANNER WHICH WILL BE DETRIMENTAL TO THE HWH CORPORATION

ORIENTATION

← FRONT

- Ⓐ AP4073 HOSE ASSY .25" x 60"
ROD END - ALWAYS PRESSURIZED
- Ⓑ AP5352 HOSE ASSY .25" x 96"
CAP END
- Ⓒ AP49517 HOSE ASSY 03 x 180"
ROD END - ALWAYS PRESSURIZED - MUST
MAINTAIN EQUAL LENGTH AND DIAMETER
- Ⓓ AP6115 HOSE ASSY .25" x 168"
CAP END - MUST MAINTAIN EQUAL LENGTH
AND DIAMETER



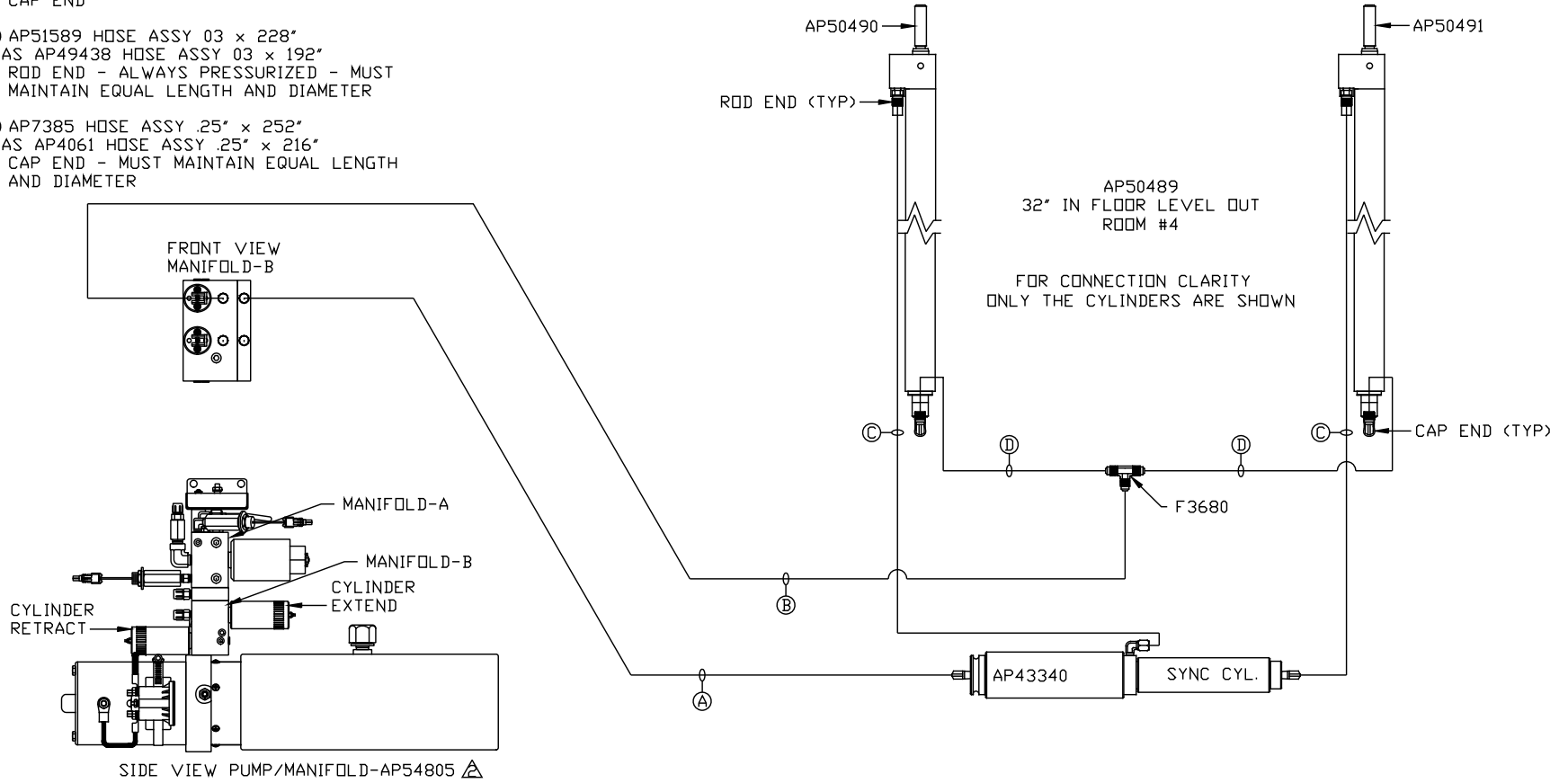
SIDE VIEW PUMP/MANIFOLD-AP54805 LOCATION AND ORIENTATION OF PUMP/MANIFOLD ASSEMBLY WILL DIFFER DEPENDING UPON O.E.M.

NOTE: INSTALLATION MUST CONFORM TO GOOD SHOP PRACTICES, SAE STANDARDS, RVIA STANDARDS, AND OTHER APPLICABLE STANDARDS.

ORIENTATION

← FRONT

- ⚠ A AP4827 HOSE ASSY .25" x 144"
WAS AP4159 HOSE ASSY .25" x 72"
ROD END - ALWAYS PRESSURIZED
- ⓑ AP4074 HOSE ASSY .25" x 108"
CAP END
- ⓐ C AP51589 HOSE ASSY 03 x 228"
WAS AP49438 HOSE ASSY 03 x 192"
ROD END - ALWAYS PRESSURIZED - MUST
MAINTAIN EQUAL LENGTH AND DIAMETER
- ⚠ D AP7385 HOSE ASSY .25" x 252"
WAS AP4061 HOSE ASSY .25" x 216"
CAP END - MUST MAINTAIN EQUAL LENGTH
AND DIAMETER



LOCATION AND ORIENTATION OF
PUMP/MANIFOLD ASSEMBLY WILL
DIFFER DEPENDING UPON O.E.M.

NOTE: INSTALLATION MUST CONFORM TO GOOD SHOP PRACTICES, SAE
STANDARDS, RVIA STANDARDS, AND OTHER APPLICABLE STANDARDS.

MP70806 C/C
18FEB16