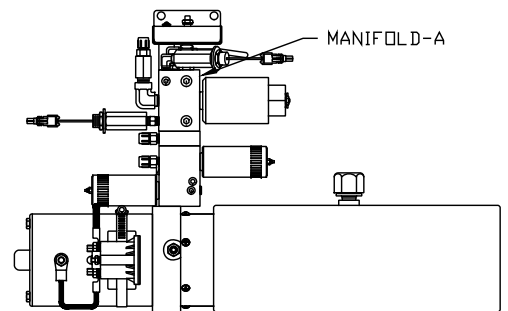
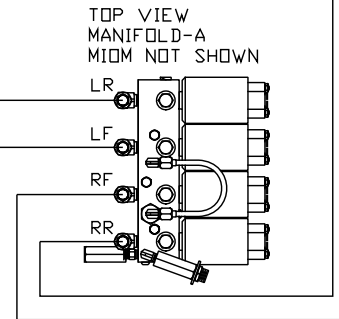
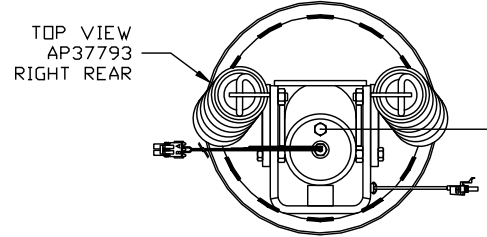
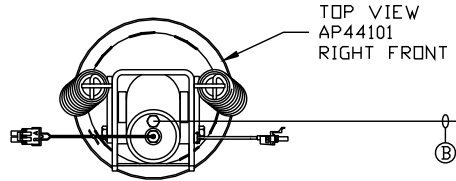


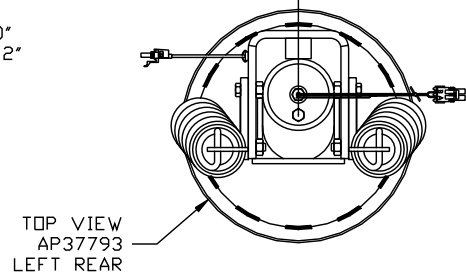
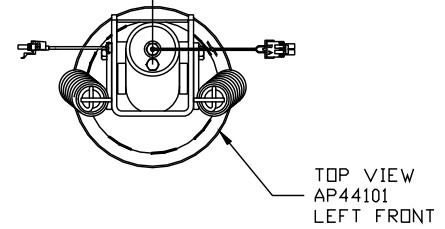
ORIENTATION  
← FRONT



LOCATION AND ORIENTATION OF  
PUMP/MANIFOLD ASSEMBLY WILL  
DIFFER DEPENDING UPON O.E.M.

- ⚠ A AP10566 HOSE ASSY .25" x 102"  
WAS AP7832 HOSE ASSY .25" x 100"
- B AP4669 HOSE ASSY .25" x 408"
- ⚠ C AP53052 HOSE ASSY .25" x 420"  
WAS AP7130 HOSE ASSY .25" x 412"
- D AP4161 HOSE ASSY .25" x 120"

CROSS TIES REQUIRED FOR  
FRONT AND REAR JACKS



NOTE: INSTALLATION MUST CONFORM TO GOOD SHOP PRACTICES, SAE STANDARDS, RVIA STANDARDS, AND OTHER APPLICABLE STANDARDS.

SYNC KIT: AP53373  
PUMP KIT: AP48122  
JACK KIT: AP48120

⚠	16FEB16	UPDATED HOSES
⚠	24NOV15	WAS AP48130
NO.	DATE	REVISION

HWH			I-80 EXIT 267 SOUTH RT 1 MOSCOW, IOWA 52760		
SCALE 1:6	DATE 16JUL14	DRAWN BY .			
HYD CONN DIAGRAM					
TIFFIN				DRAWING NUMBER MP70808 A/C	

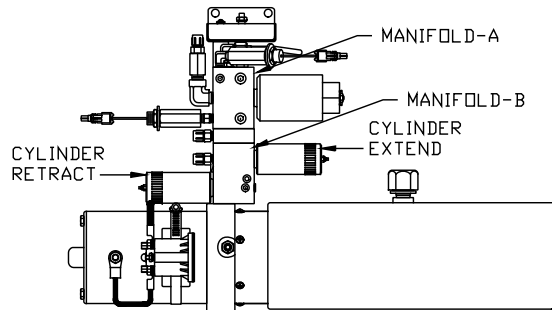
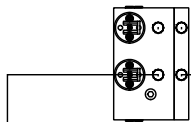
⚠️ Ⓐ AP5561 HOSE ASSY .25" x 336"  
 WAS AP8985 HOSE ASSY .25" x 332"  
 ROD END - ALWAYS PRESSURIZED

⚠️ Ⓑ AP4163 HOSE ASSY .25" x 360"  
 WAS AP10225 HOSE ASSY .25" x 340"  
 CAP END

Ⓢ Ⓒ AP49246 HOSE ASSY 03 x 156"  
 ROD END - ALWAYS PRESSURIZED - MUST  
 MAINTAIN EQUAL LENGTH AND DIAMETER

Ⓢ Ⓓ AP4062 HOSE ASSY .25" x 132"  
 CAP END - MUST MAINTAIN EQUAL LENGTH  
 AND DIAMETER

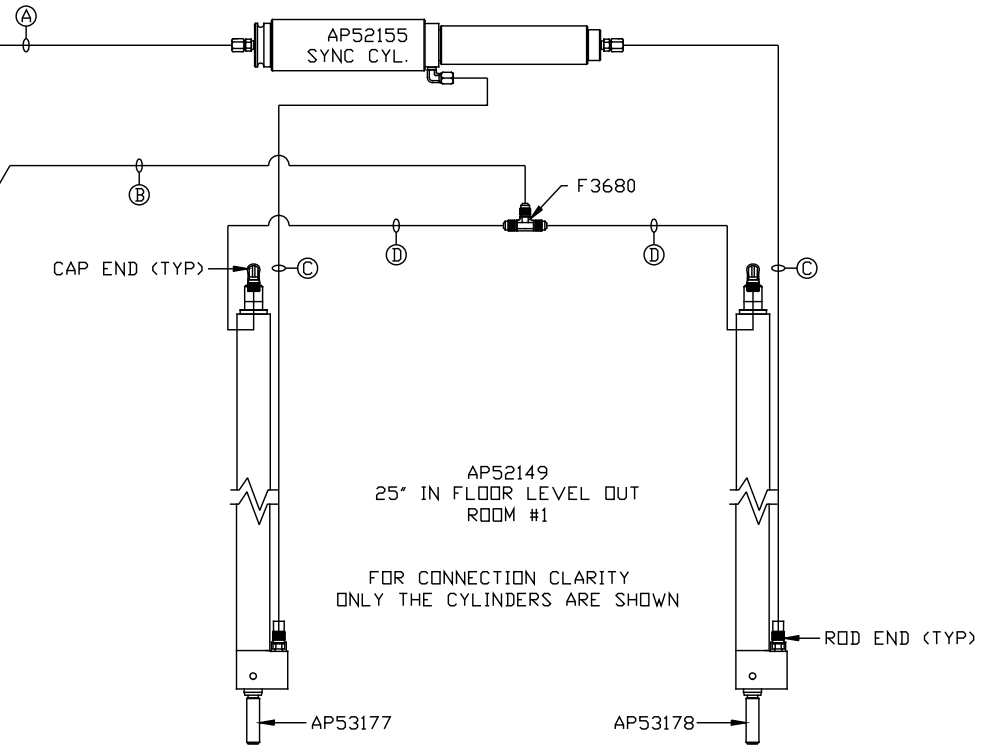
FRONT VIEW  
 MANIFOLD-B



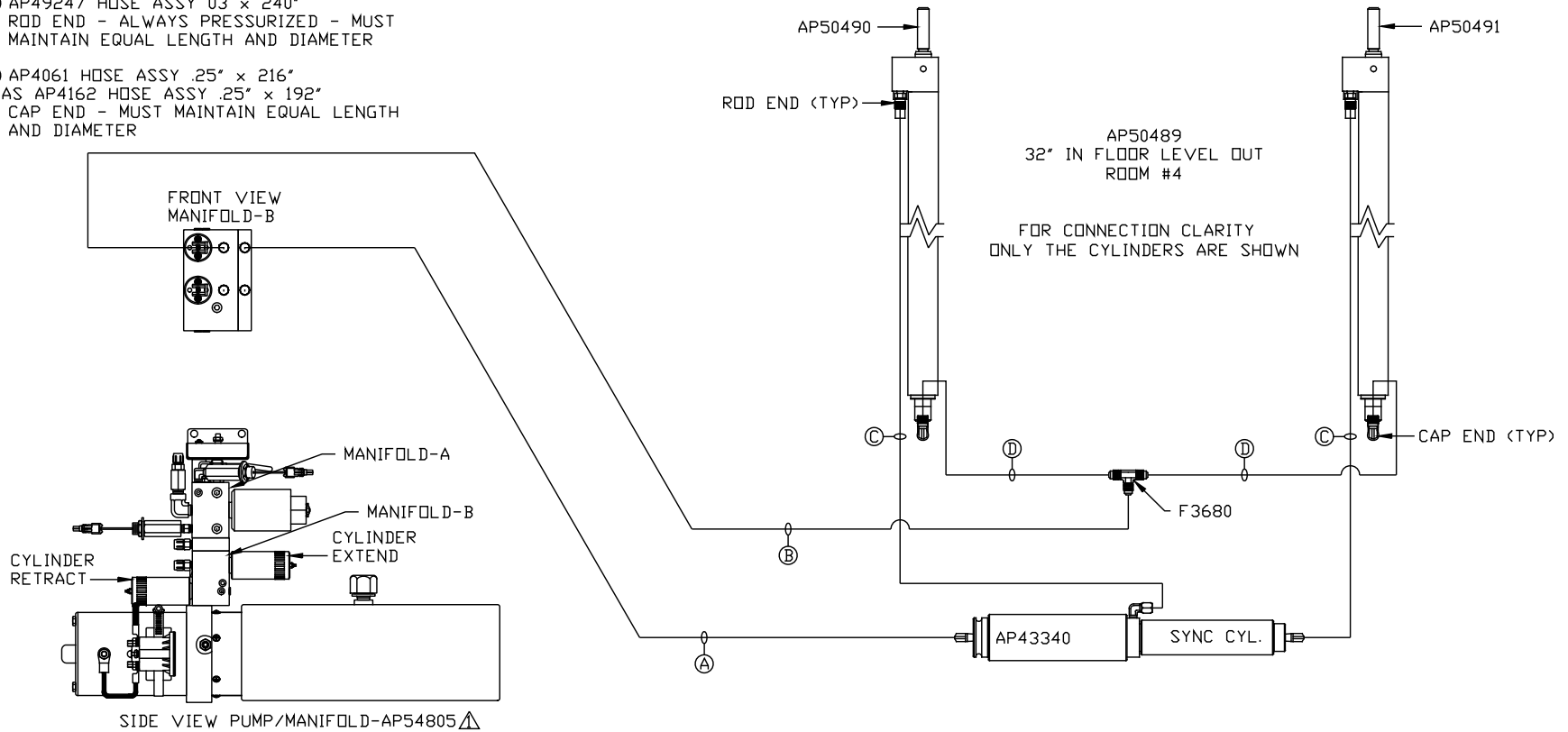
SIDE VIEW PUMP/MANIFOLD-AP54805 ⚠️

LOCATION AND ORIENTATION OF  
 PUMP/MANIFOLD ASSEMBLY WILL  
 DIFFER DEPENDING UPON O.E.M.

NOTE: INSTALLATION MUST CONFORM TO GOOD SHOP PRACTICES, SAE  
 STANDARDS, RVIA STANDARDS, AND OTHER APPLICABLE STANDARDS.



- ⚠️ Ⓐ AP2465 HOSE ASSY .25" x 348"  
WAS AP13856 HOSE ASSY .25" x 330"  
ROD END - ALWAYS PRESSURIZED
- ⚠️ Ⓑ AP4391 HOSE ASSY .25" x 372"  
WAS AP5561 HOSE ASSY .25" x 336"  
CAP END
- Ⓒ AP49247 HOSE ASSY 03 x 240"  
ROD END - ALWAYS PRESSURIZED - MUST  
MAINTAIN EQUAL LENGTH AND DIAMETER
- ⚠️ Ⓓ AP4061 HOSE ASSY .25" x 216"  
WAS AP4162 HOSE ASSY .25" x 192"  
CAP END - MUST MAINTAIN EQUAL LENGTH  
AND DIAMETER



LOCATION AND ORIENTATION OF  
PUMP/MANIFOLD ASSEMBLY WILL  
DIFFER DEPENDING UPON O.E.M.

NOTE: INSTALLATION MUST CONFORM TO GOOD SHOP PRACTICES, SAE  
STANDARDS, RVIA STANDARDS, AND OTHER APPLICABLE STANDARDS.

MP70808 C/C  
16FEB16