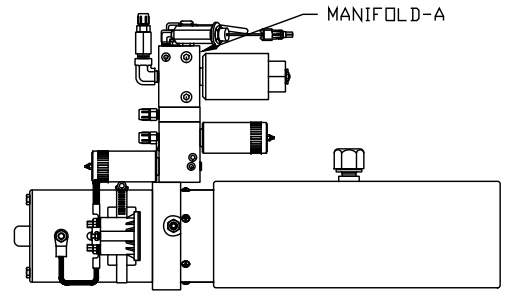
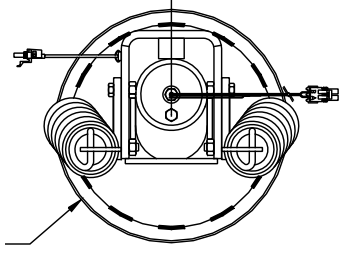
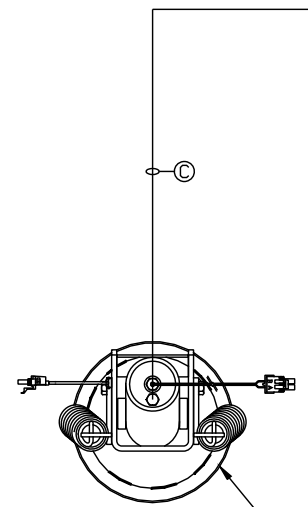
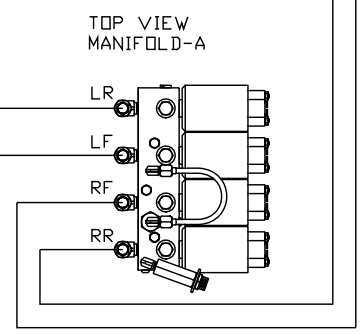
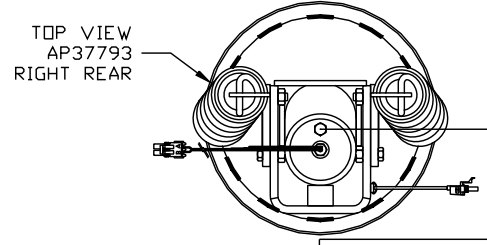
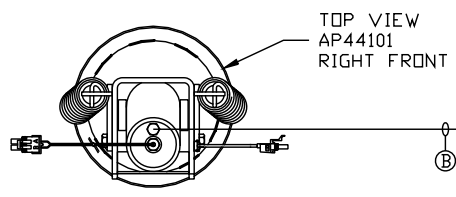


ORIENTATION
← FRONT



- ⚠ A AP10566 HOSE ASSY .25" x 102"
WAS AP7832 HOSE ASSY .25" x 100"
- B AP4669 HOSE ASSY .25" x 408"
- ⚠ C AP53052 HOSE ASSY .25" x 420"
WAS AP7130 HOSE ASSY .25" x 412"
- D AP4161 HOSE ASSY .25" x 120"

CROSS TIES REQUIRED FOR
FRONT AND REAR JACKS

LOCATION AND ORIENTATION OF
PUMP/MANIFOLD ASSEMBLY WILL
DIFFER DEPENDING UPON O.E.M.

NOTE: INSTALLATION MUST CONFORM TO GOOD SHOP PRACTICES, SAE STANDARDS, RVIA STANDARDS, AND OTHER APPLICABLE STANDARDS.

SYNC KIT: AP53373
PUMP KIT: AP51752
JACK KIT: AP52291

NO.	DATE	REVISION
⚠	16FEB16	UPDATED HOSES
⚠	24NOV15	WAS AP51790

HWH			I-80 EXIT 267 SOUTH RT 1 MOSCOW, IOWA 52760		
SCALE 1:6	DATE 16JUL14	DRAWN BY .			
HYD CONN DIAGRAM					
TIFFIN				DRAWING NUMBER MP70809 A/C	

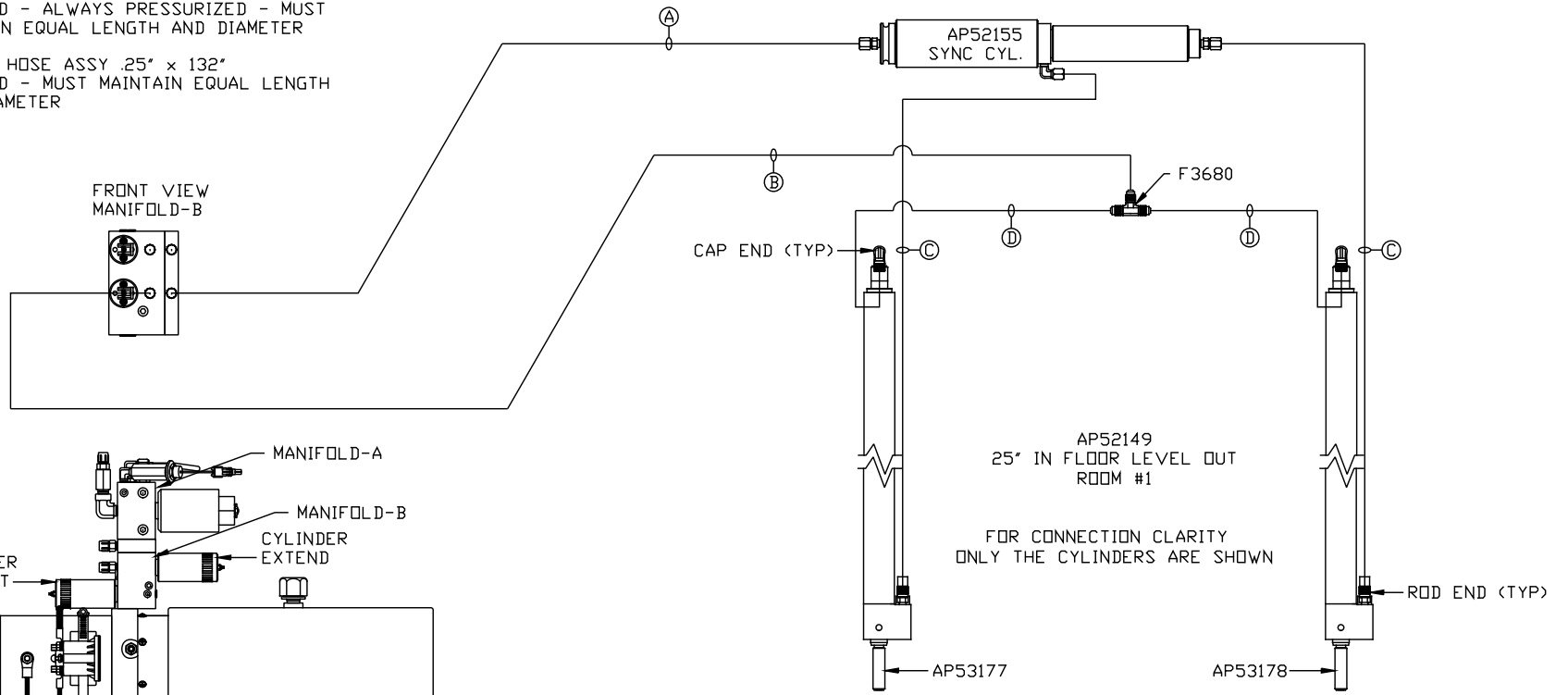
THE INFORMATION DISCLOSED ON THIS DRAWING IS CONFIDENTIAL AND MUST NOT BE DISCLOSED OR USED IN ANY MANNER WHICH WILL BE DETRIMENTAL TO THE HWH CORPORATION

⚠️ Ⓐ AP5561 HOSE ASSY .25" x 336"
 WAS AP8985 HOSE ASSY .25" x 332"
 ROD END - ALWAYS PRESSURIZED

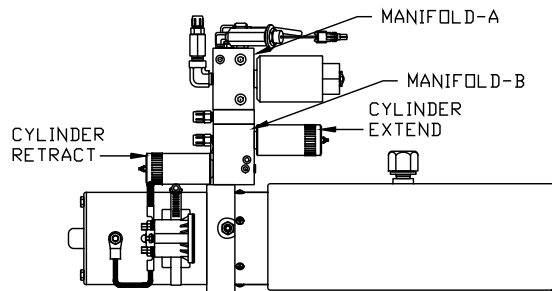
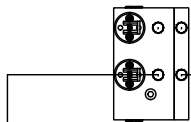
⚠️ Ⓑ AP4163 HOSE ASSY .25" x 360"
 WAS AP10225 HOSE ASSY .25" x 340"
 CAP END

Ⓢ Ⓒ AP49246 HOSE ASSY 03 x 156"
 ROD END - ALWAYS PRESSURIZED - MUST
 MAINTAIN EQUAL LENGTH AND DIAMETER

Ⓢ Ⓓ AP4062 HOSE ASSY .25" x 132"
 CAP END - MUST MAINTAIN EQUAL LENGTH
 AND DIAMETER



FRONT VIEW
 MANIFOLD-B

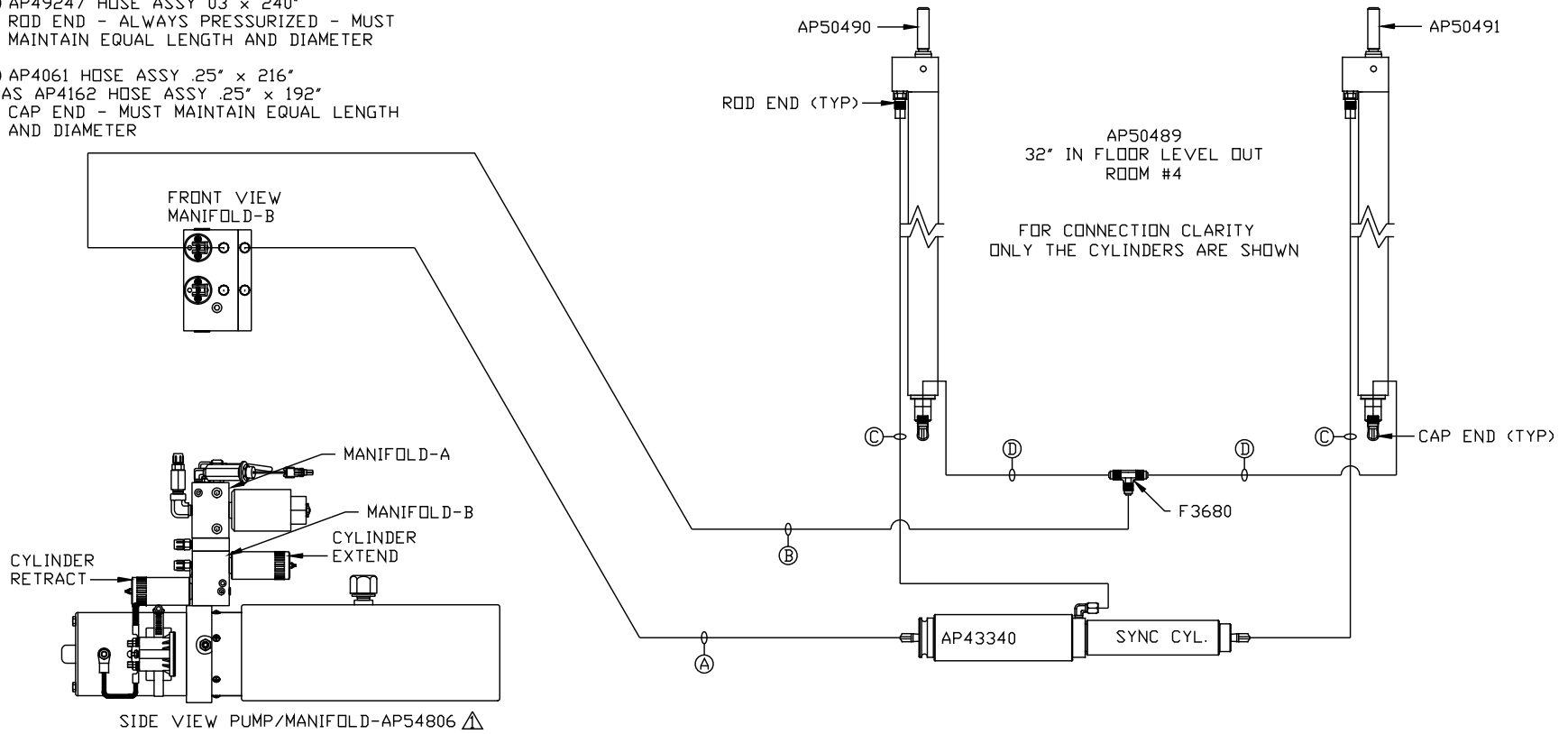


SIDE VIEW PUMP/MANIFOLD-AP54806 ⚠️

LOCATION AND ORIENTATION OF
 PUMP/MANIFOLD ASSEMBLY WILL
 DIFFER DEPENDING UPON O.E.M.

NOTE: INSTALLATION MUST CONFORM TO GOOD SHOP PRACTICES, SAE
 STANDARDS, RVIA STANDARDS, AND OTHER APPLICABLE STANDARDS.

- ⚠️ Ⓐ AP2465 HOSE ASSY .25" x 348"
WAS AP13856 HOSE ASSY .25" x 330"
ROD END - ALWAYS PRESSURIZED
- ⚠️ Ⓑ AP4391 HOSE ASSY .25" x 372"
WAS AP5561 HOSE ASSY .25" x 336"
CAP END
- Ⓒ AP49247 HOSE ASSY 03 x 240"
ROD END - ALWAYS PRESSURIZED - MUST
MAINTAIN EQUAL LENGTH AND DIAMETER
- ⚠️ Ⓓ AP4061 HOSE ASSY .25" x 216"
WAS AP4162 HOSE ASSY .25" x 192"
CAP END - MUST MAINTAIN EQUAL LENGTH
AND DIAMETER



LOCATION AND ORIENTATION OF
PUMP/MANIFOLD ASSEMBLY WILL
DIFFER DEPENDING UPON O.E.M.

NOTE: INSTALLATION MUST CONFORM TO GOOD SHOP PRACTICES, SAE
STANDARDS, RVIA STANDARDS, AND OTHER APPLICABLE STANDARDS.

MP70809 C/C
16FEB16