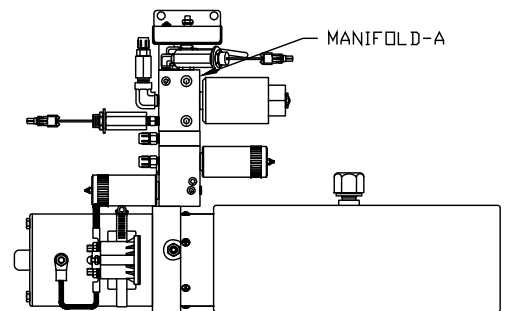
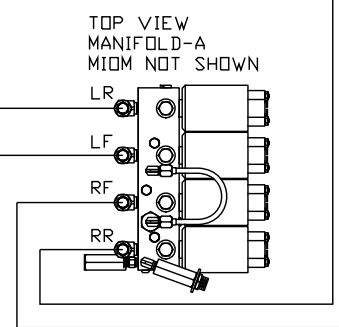
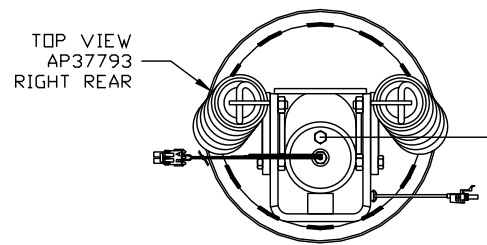
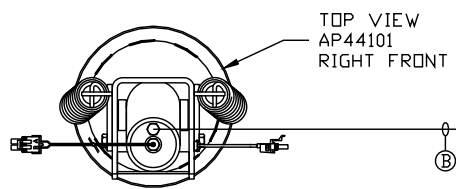
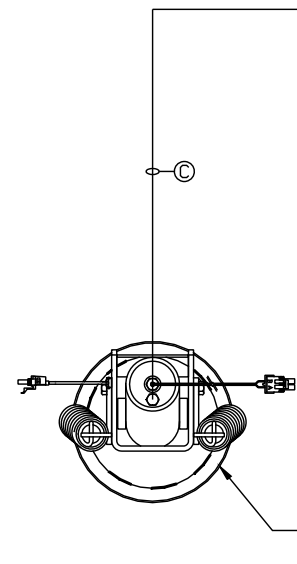


ORIENTATION
← FRONT

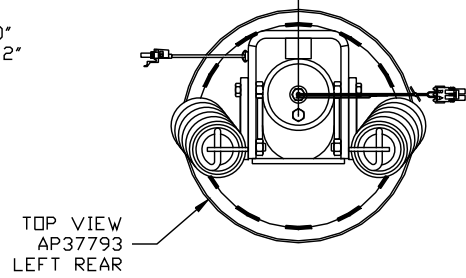


SIDE VIEW PUMP/MANIFOLD-AP54805 Δ
LOCATION AND ORIENTATION OF
PUMP/MANIFOLD ASSEMBLY WILL
DIFFER DEPENDING UPON O.E.M.



- Δ A AP10566 HOSE ASSY .25" x 102"
WAS AP7832 HOSE ASSY .25" x 100"
- B AP4669 HOSE ASSY .25" x 408"
- Δ C AP53052 HOSE ASSY .25" x 420"
WAS AP7130 HOSE ASSY .25" x 412"
- D AP4161 HOSE ASSY .25" x 120"

CROSS TIES REQUIRED FOR
FRONT AND REAR JACKS



NOTE: INSTALLATION MUST CONFORM TO GOOD SHOP PRACTICES, SAE
STANDARDS, RVIA STANDARDS, AND OTHER APPLICABLE STANDARDS.

SYNC KIT: AP53375
PUMP KIT: AP48122
JACK KIT: AP48120

| | | |
|----------|---------|---------------|
| | | |
| Δ | 16FEB16 | UPDATED HOSES |
| Δ | 24NOV15 | WAS AP48130 |
| NO. | DATE | REVISION |

| | | | | | |
|------------------|--------------|------------|--|-------------------------------|--|
| HWH | | | I-80 EXIT 267 SOUTH RT 1 MOSCOW, IOWA 52760 | | |
| SCALE 1:6 | DATE 16JUL14 | DRAWN BY . | | | |
| HYD CONN DIAGRAM | | | | | |
| TIFFIN | | | | DRAWING NUMBER MP70810 A/C | |

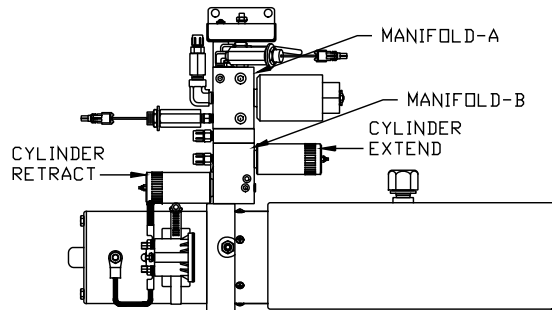
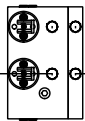
Ⓐ AP4391 HOSE ASSY .25" x 372"
ROD END - ALWAYS PRESSURIZED

Ⓑ AP4313 HOSE ASSY .25" x 396"
WAS AP4948 HOSE ASSY .25" x 390"
CAP END

Ⓒ AP49438 HOSE ASSY 03" x 192"
ROD END - ALWAYS PRESSURIZED - MUST
MAINTAIN EQUAL LENGTH AND DIAMETER

Ⓓ AP5924 HOSE ASSY .25" x 228"
CAP END - MUST MAINTAIN EQUAL LENGTH
AND DIAMETER

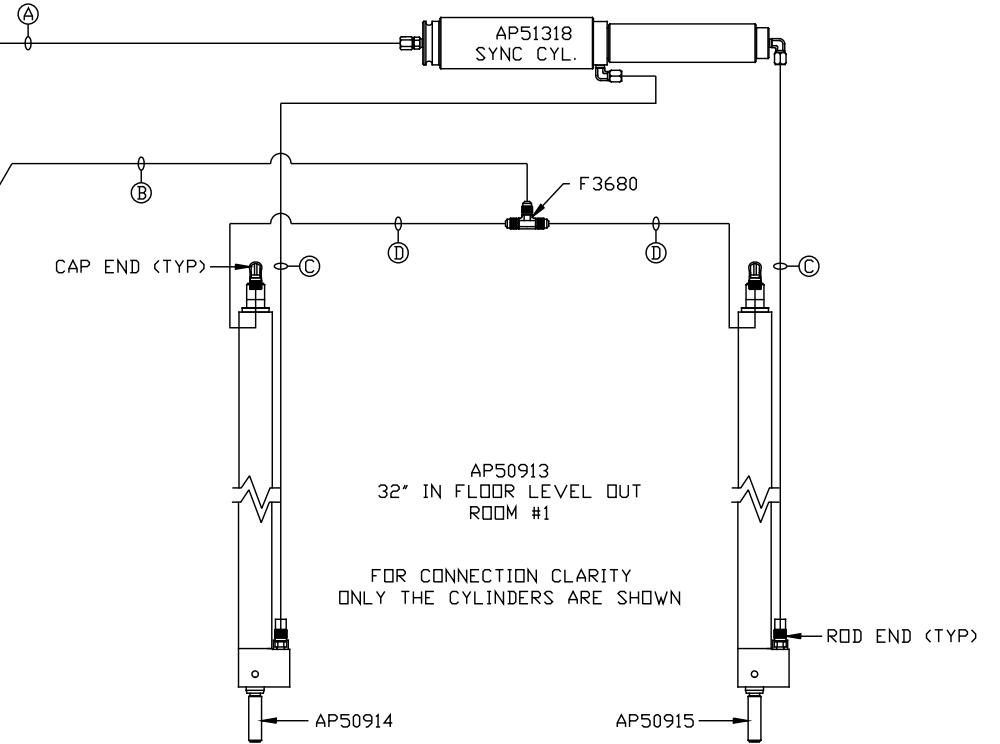
FRONT VIEW
MANIFOLD-B



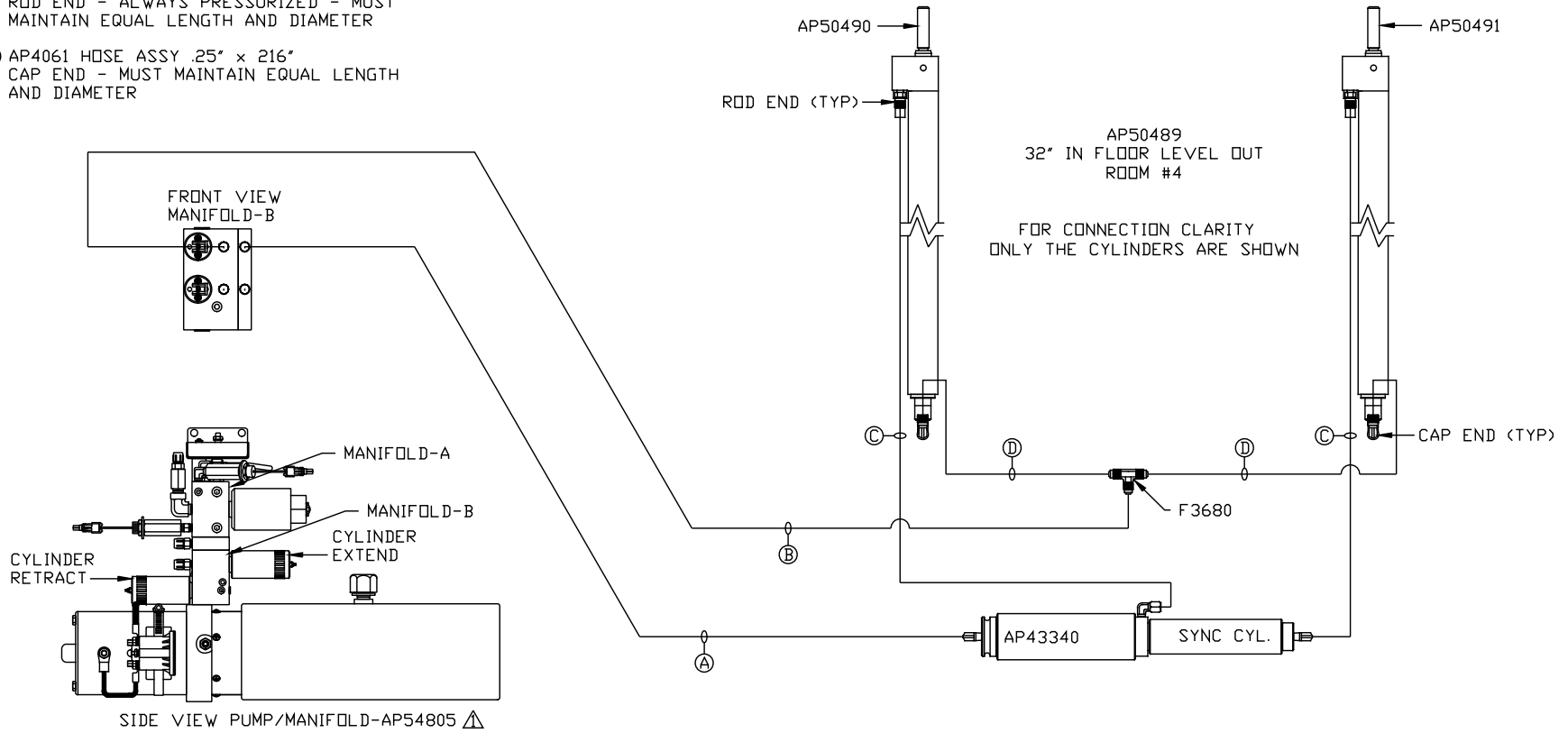
SIDE VIEW PUMP/MANIFOLD-AP54805 ⚠

LOCATION AND ORIENTATION OF
PUMP/MANIFOLD ASSEMBLY WILL
DIFFER DEPENDING UPON O.E.M.

NOTE: INSTALLATION MUST CONFORM TO GOOD SHOP PRACTICES, SAE
STANDARDS, RVIA STANDARDS, AND OTHER APPLICABLE STANDARDS.



- Ⓐ AP4391 HOSE ASSY .25" x 372"
WAS AP4731 HOSE ASSY .25" x 368"
ROD END - ALWAYS PRESSURIZED
- Ⓑ AP4164 HOSE ASSY .25" x 384"
CAP END
- Ⓒ AP49517 HOSE ASSY 03" x 180"
ROD END - ALWAYS PRESSURIZED - MUST
MAINTAIN EQUAL LENGTH AND DIAMETER
- Ⓓ AP4061 HOSE ASSY .25" x 216"
CAP END - MUST MAINTAIN EQUAL LENGTH
AND DIAMETER



LOCATION AND ORIENTATION OF
PUMP/MANIFOLD ASSEMBLY WILL
DIFFER DEPENDING UPON O.E.M.

NOTE: INSTALLATION MUST CONFORM TO GOOD SHOP PRACTICES, SAE
STANDARDS, RVIA STANDARDS, AND OTHER APPLICABLE STANDARDS.

MP70810 C/C
16FEB16