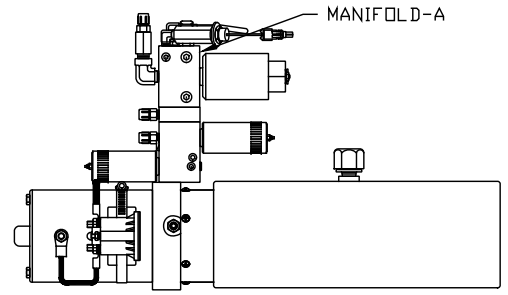
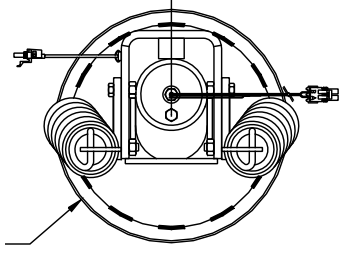
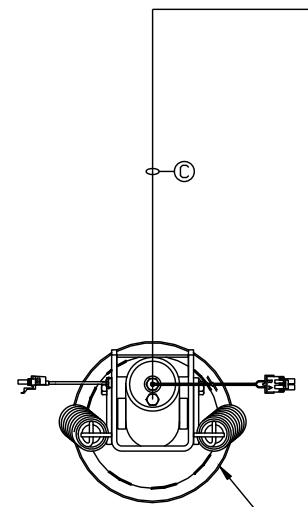
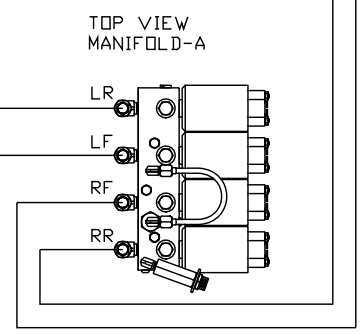
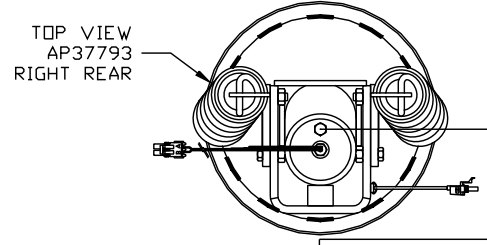
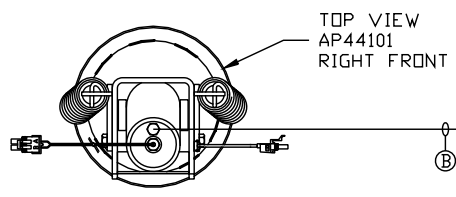


ORIENTATION  
← FRONT



- ⚠ A AP10566 HOSE ASSY .25" x 102"  
WAS AP7832 HOSE ASSY .25" x 100"
- B AP4669 HOSE ASSY .25" x 408"
- ⚠ C AP53052 HOSE ASSY .25" x 420"  
WAS AP7130 HOSE ASSY .25" x 412"
- D AP4161 HOSE ASSY .25" x 120"

CROSS TIES REQUIRED FOR  
FRONT AND REAR JACKS

LOCATION AND ORIENTATION OF  
PUMP/MANIFOLD ASSEMBLY WILL  
DIFFER DEPENDING UPON O.E.M.

NOTE: INSTALLATION MUST CONFORM TO GOOD SHOP PRACTICES, SAE  
STANDARDS, RVIA STANDARDS, AND OTHER APPLICABLE STANDARDS.

NO.	DATE	REVISION
⚠	16FEB16	UPDATED HOSES
⚠	24NOV15	WAS AP51790
SYNC KIT: AP53375 PUMP KIT: AP51752 JACK KIT: AP52291		
THE INFORMATION DISCLOSED ON THIS DRAWING IS CONFIDENTIAL AND MUST NOT BE DISCLOSED OR USED IN ANY MANNER WHICH WILL BE DETRIMENTAL TO THE HWH CORPORATION		

<b>HWH</b> I-80 EXIT 267 SOUTH RT 1 MOSCOW, IOWA 52760		
SCALE 1:6	DATE 16JUL14	DRAWN BY .
HYD CONN DIAGRAM		
TIFFIN		DRAWING NUMBER MP70811 A/C

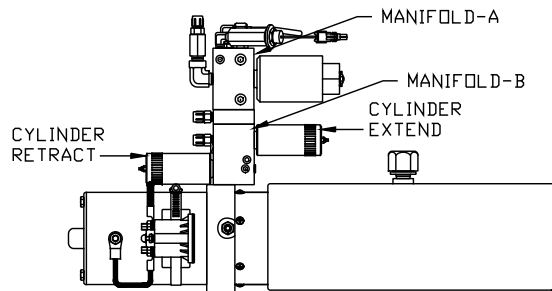
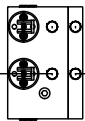
Ⓐ AP4391 HOSE ASSY .25" x 372"  
ROD END - ALWAYS PRESSURIZED

Ⓑ AP4313 HOSE ASSY .25" x 396"  
WAS AP4948 HOSE ASSY .25" x 390"  
CAP END

Ⓒ AP49438 HOSE ASSY 03 x 192"  
ROD END - ALWAYS PRESSURIZED - MUST  
MAINTAIN EQUAL LENGTH AND DIAMETER

Ⓓ AP5924 HOSE ASSY .25" x 228"  
CAP END - MUST MAINTAIN EQUAL LENGTH  
AND DIAMETER

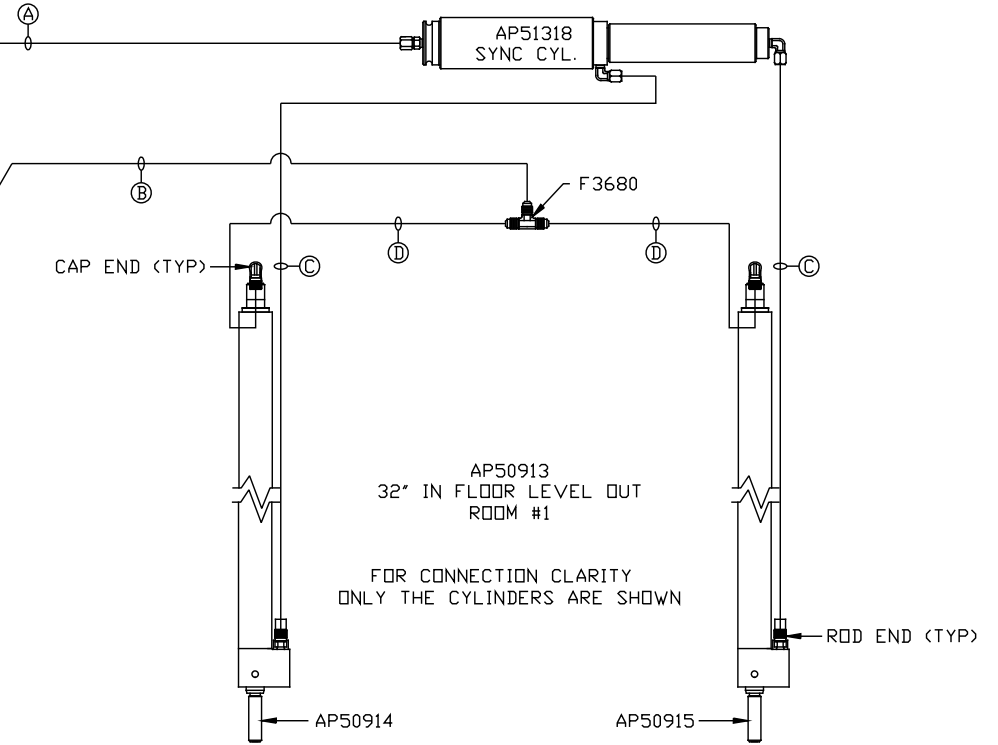
FRONT VIEW  
MANIFOLD-B



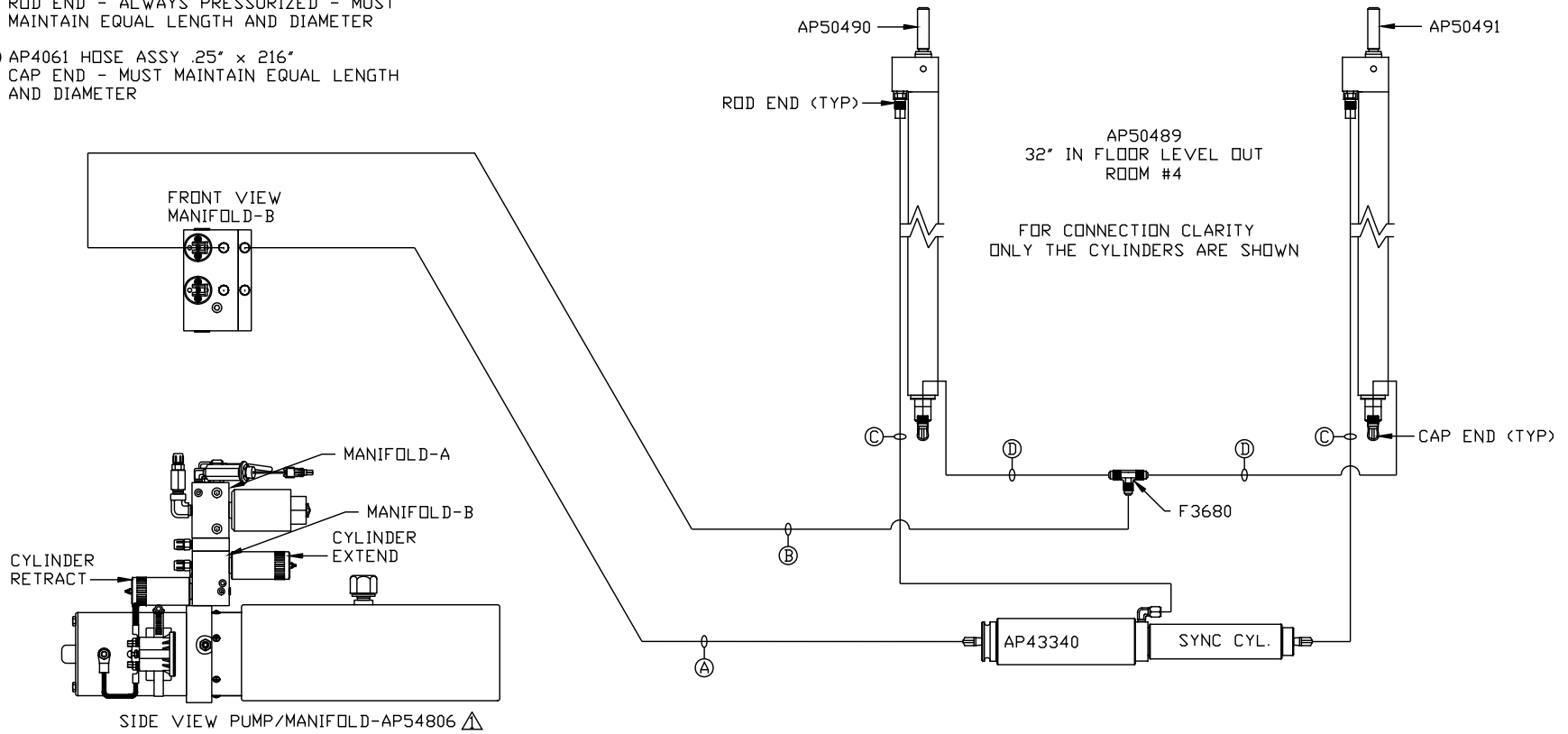
SIDE VIEW PUMP/MANIFOLD-AP54806 ⚠

LOCATION AND ORIENTATION OF  
PUMP/MANIFOLD ASSEMBLY WILL  
DIFFER DEPENDING UPON O.E.M.

NOTE: INSTALLATION MUST CONFORM TO GOOD SHOP PRACTICES, SAE  
STANDARDS, RVIA STANDARDS, AND OTHER APPLICABLE STANDARDS.



- Ⓐ AP4391 HOSE ASSY .25" x 372"  
WAS AP4731 HOSE ASSY .25" x 368"  
ROD END - ALWAYS PRESSURIZED
- Ⓑ AP4164 HOSE ASSY .25" x 384"  
CAP END
- Ⓒ AP49517 HOSE ASSY 03" x 180"  
ROD END - ALWAYS PRESSURIZED - MUST  
MAINTAIN EQUAL LENGTH AND DIAMETER
- Ⓓ AP4061 HOSE ASSY .25" x 216"  
CAP END - MUST MAINTAIN EQUAL LENGTH  
AND DIAMETER



LOCATION AND ORIENTATION OF  
PUMP/MANIFOLD ASSEMBLY WILL  
DIFFER DEPENDING UPON O.E.M.

NOTE: INSTALLATION MUST CONFORM TO GOOD SHOP PRACTICES, SAE  
STANDARDS, RVIA STANDARDS, AND OTHER APPLICABLE STANDARDS.

MP70811 C/C  
16FEB16