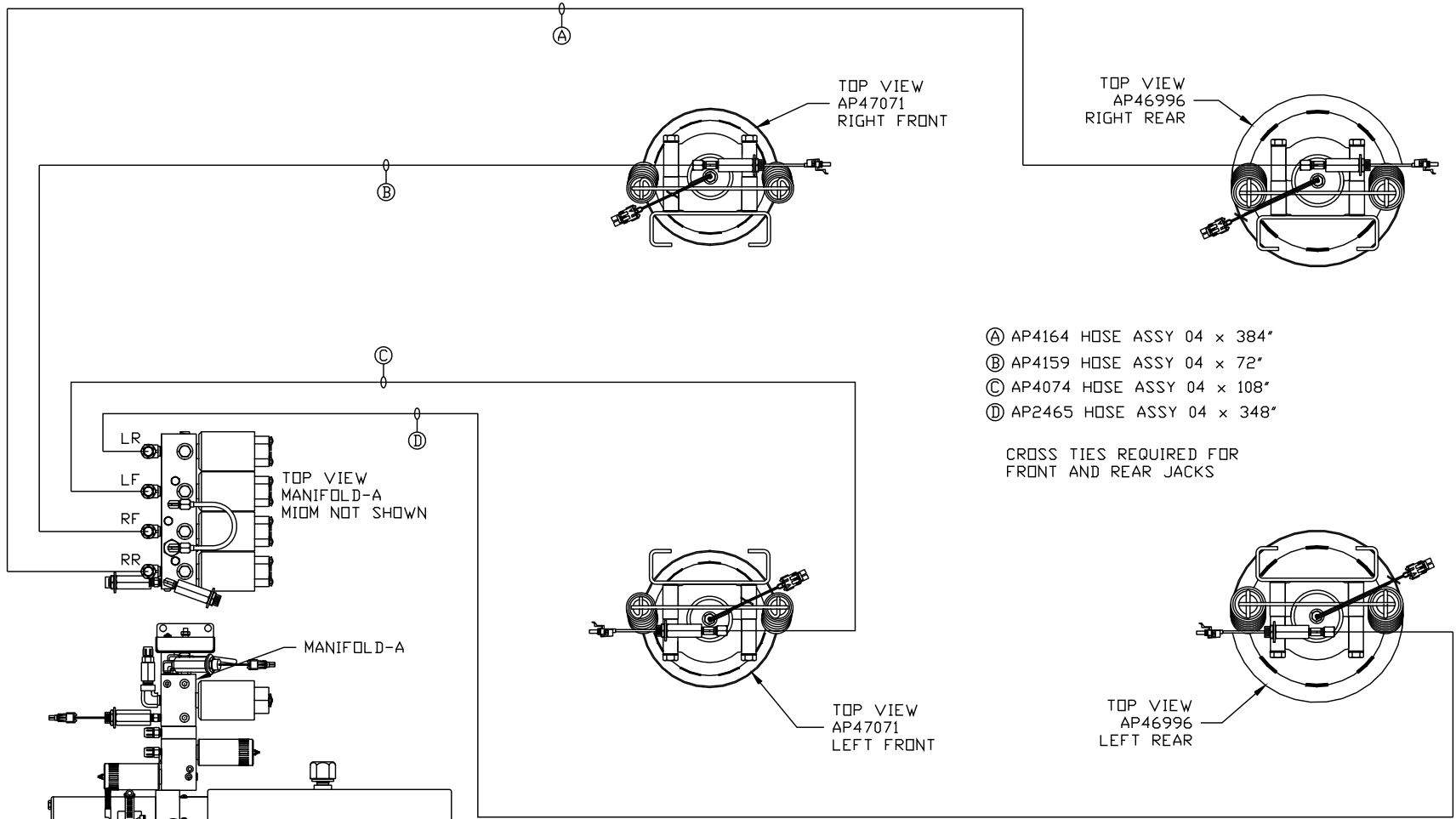


ORIENTATION
← FRONT



- Ⓐ AP4164 HOSE ASSY 04 x 384"
- Ⓑ AP4159 HOSE ASSY 04 x 72"
- Ⓒ AP4074 HOSE ASSY 04 x 108"
- Ⓓ AP2465 HOSE ASSY 04 x 348"

CROSS TIES REQUIRED FOR FRONT AND REAR JACKS

SIDE VIEW PUMP/MANIFOLD-AP54805
 LOCATION AND ORIENTATION OF PUMP/MANIFOLD ASSEMBLY WILL DIFFER DEPENDING UPON O.E.M.

NOTE: INSTALLATION MUST CONFORM TO GOOD SHOP PRACTICES, SAE STANDARDS, RVIA STANDARDS, AND OTHER APPLICABLE STANDARDS.

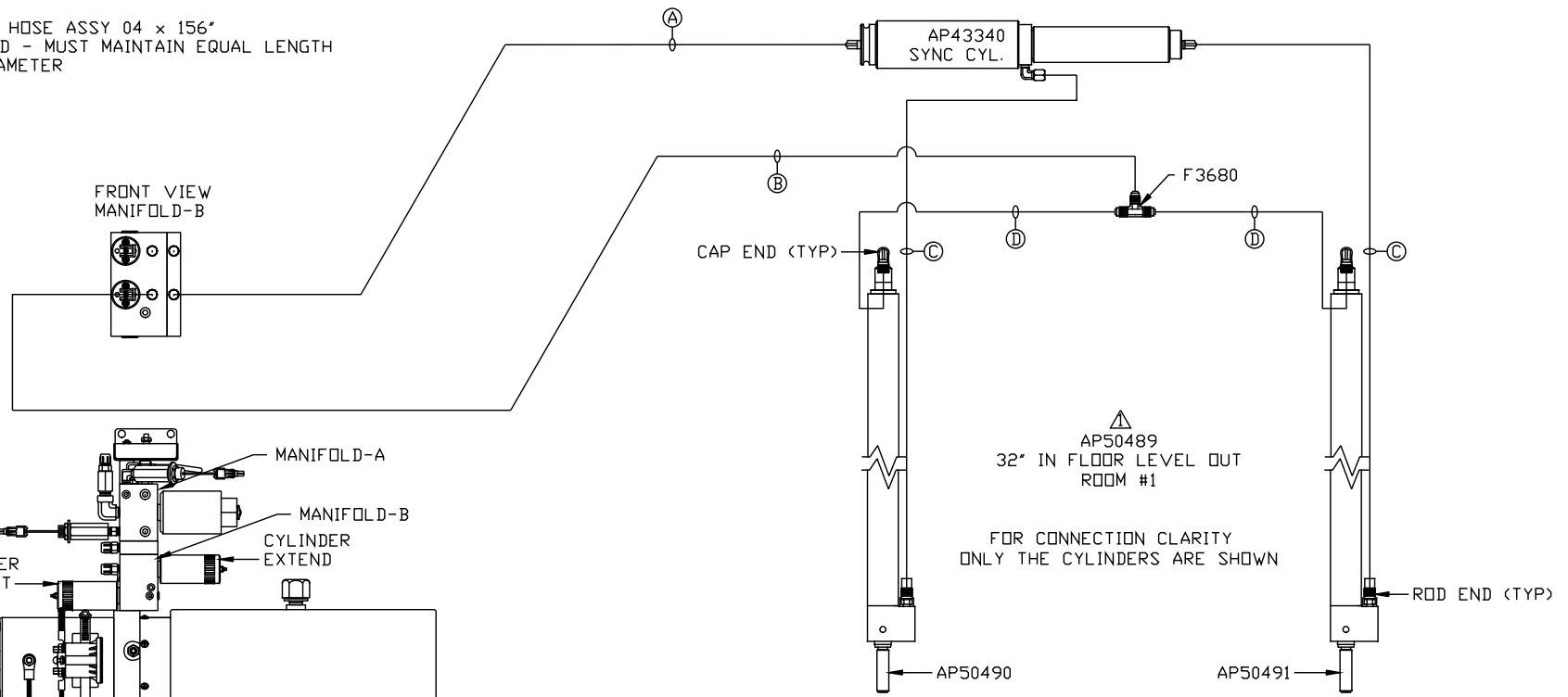
NO.	DATE	REVISION
	24NOV15	WAS AP50912
	08MAY15	CORRECTED PART #
SYNC KIT: AP54137		
PUMP KIT: AP50865	THE INFORMATION DISCLOSED ON THIS DRAWING IS CONFIDENTIAL AND MUST NOT BE DISCLOSED OR USED IN ANY MANNER WHICH WILL BE DETRIMENTAL TO THE HWH CORPORATION	
JACK KIT: AP50420		

HWH			I-80 EXIT 267 SOUTH RT 1 MOSCOW, IOWA 52760		
SCALE 1:6	DATE 11AUG14	DRAWN BY .			
HYD CONN DIAGRAM					
TIFFIN				DRAWING NUMBER MP70816 A/C	

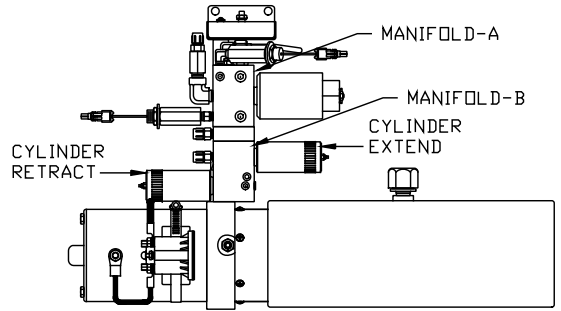
ORIENTATION

← FRONT

- Ⓐ AP5351 HOSE ASSY 04 x 66"
ROD END - ALWAYS PRESSURIZED
- Ⓑ AP5352 HOSE ASSY 04 x 96"
CAP END
- Ⓒ AP49246 HOSE ASSY 03 x 156"
ROD END - ALWAYS PRESSURIZED - MUST
MAINTAIN EQUAL LENGTH AND DIAMETER
- Ⓓ AP4065 HOSE ASSY 04 x 156"
CAP END - MUST MAINTAIN EQUAL LENGTH
AND DIAMETER



FRONT VIEW
MANIFOLD-B



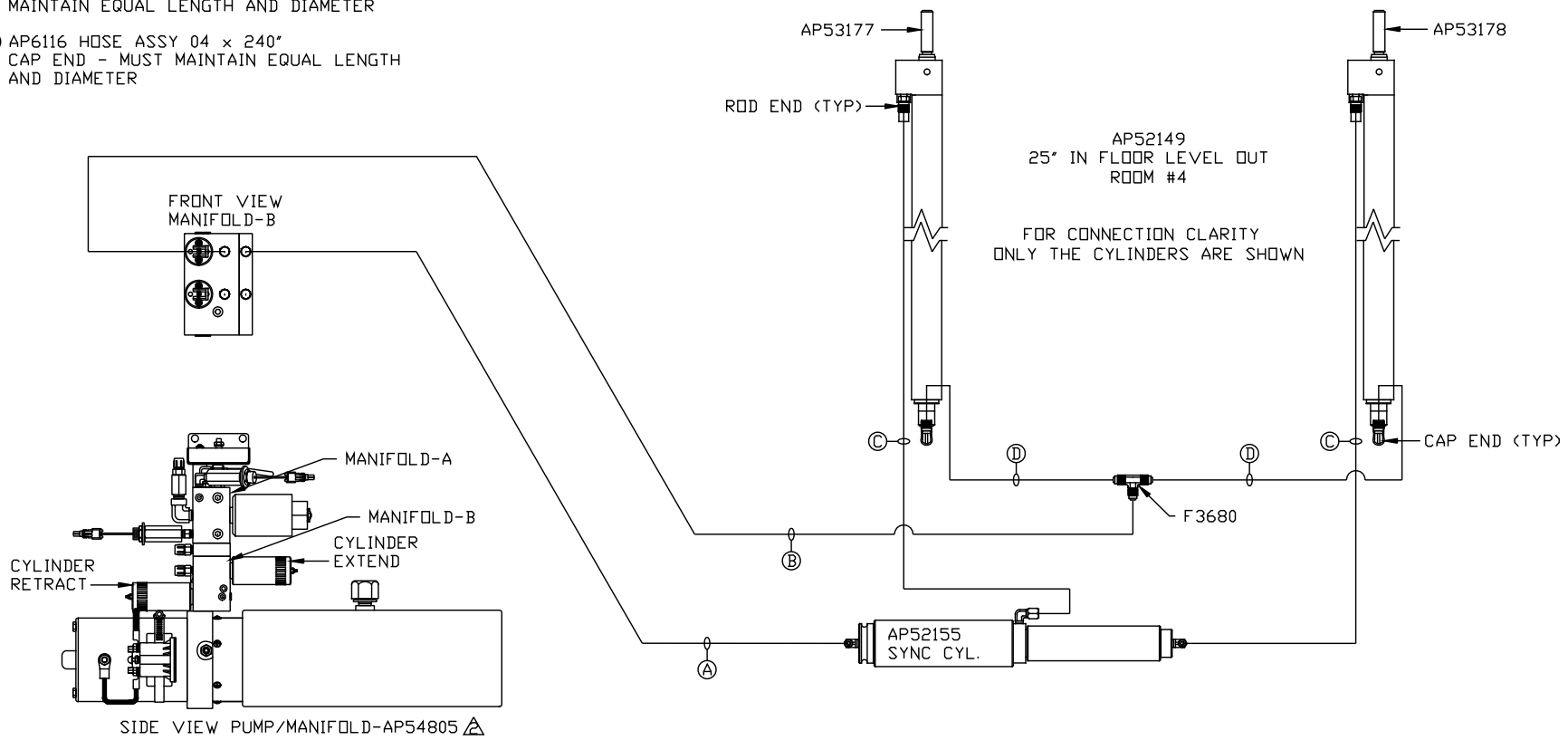
SIDE VIEW PUMP/MANIFOLD-AP54805
LOCATION AND ORIENTATION OF
PUMP/MANIFOLD ASSEMBLY WILL
DIFFER DEPENDING UPON O.E.M.

NOTE: INSTALLATION MUST CONFORM TO GOOD SHOP PRACTICES, SAE STANDARDS, RVIA STANDARDS, AND OTHER APPLICABLE STANDARDS.

ORIENTATION

← FRONT

- Ⓐ AP4073 HOSE ASSY 04 x 60"
ROD END - ALWAYS PRESSURIZED
- Ⓑ AP4159 HOSE ASSY 04 x 72"
CAP END
- Ⓒ AP49247 HOSE ASSY 03 x 240"
ROD END - ALWAYS PRESSURIZED - MUST
MAINTAIN EQUAL LENGTH AND DIAMETER
- Ⓓ AP6116 HOSE ASSY 04 x 240"
CAP END - MUST MAINTAIN EQUAL LENGTH
AND DIAMETER



LOCATION AND ORIENTATION OF
PUMP/MANIFOLD ASSEMBLY WILL
DIFFER DEPENDING UPON O.E.M.

NOTE: INSTALLATION MUST CONFORM TO GOOD SHOP PRACTICES, SAE
STANDARDS, RVIA STANDARDS, AND OTHER APPLICABLE STANDARDS.