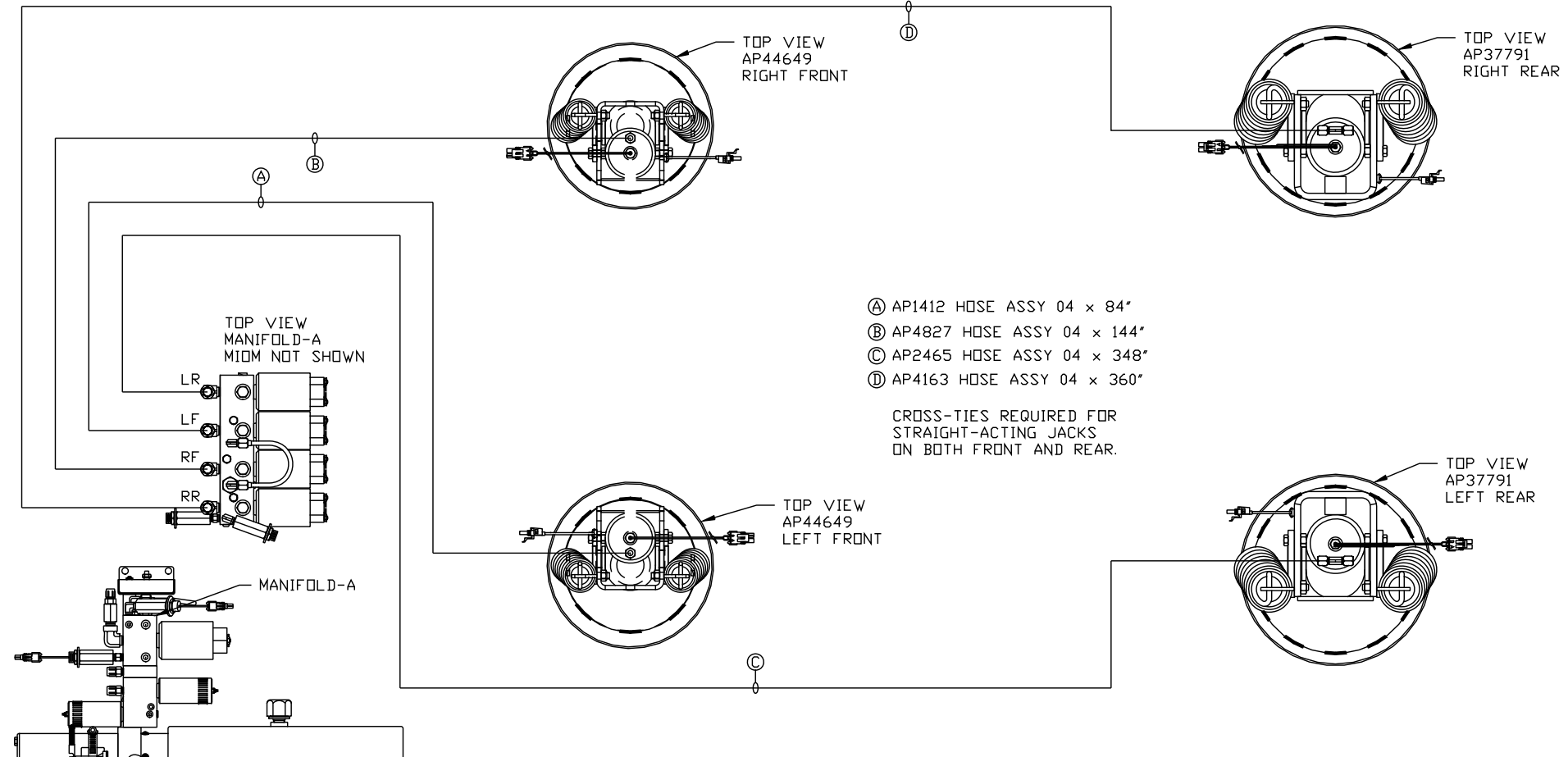
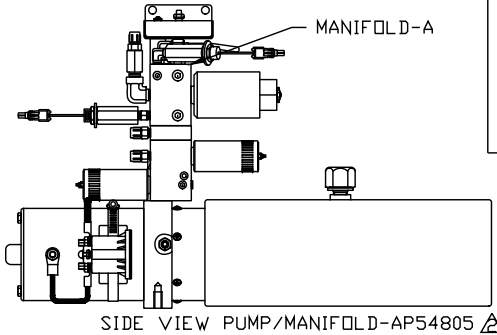


ORIENTATION
← FRONT



- Ⓐ AP1412 HOSE ASSY 04 x 84"
- Ⓑ AP4827 HOSE ASSY 04 x 144"
- Ⓒ AP2465 HOSE ASSY 04 x 348"
- Ⓓ AP4163 HOSE ASSY 04 x 360"

CROSS-TIES REQUIRED FOR STRAIGHT-ACTING JACKS ON BOTH FRONT AND REAR.



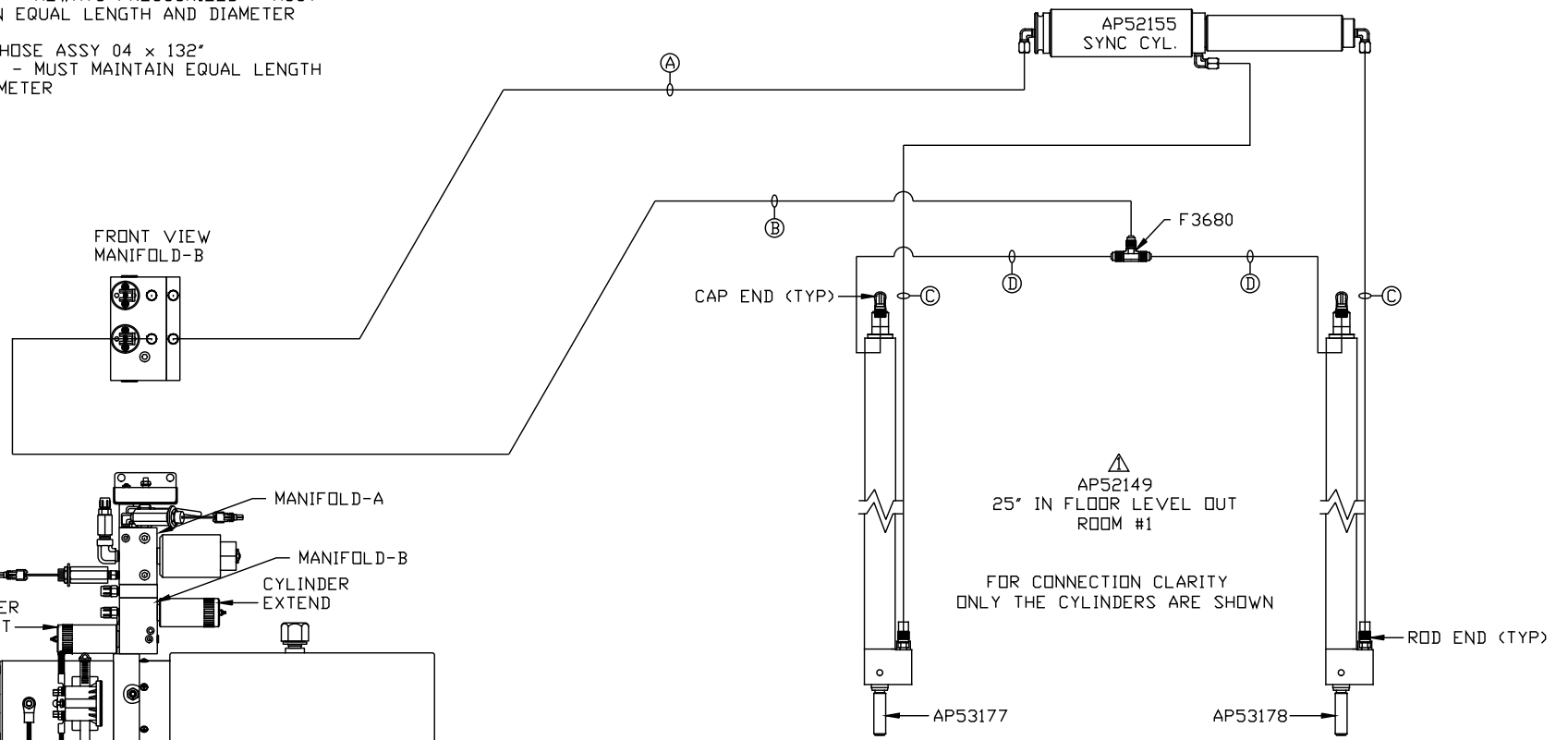
LOCATION AND ORIENTATION OF PUMP/MANIFOLD ASSEMBLY WILL DIFFER DEPENDING UPON O.E.M.

NOTE: INSTALLATION MUST CONFORM TO GOOD SHOP PRACTICES, SAE STANDARDS, RVIA STANDARDS, AND OTHER APPLICABLE STANDARDS.

NO.	DATE	REVISION
△	24NOV15	WAS AP48130
△	07MAY15	WAS AP50913
SYNC KIT: AP54126 PUMP KIT: AP48122 JACK KIT: AP47705		
THE INFORMATION DISCLOSED ON THIS DRAWING IS CONFIDENTIAL AND MUST NOT BE DISCLOSED OR USED IN ANY MANNER WHICH WILL BE DETRIMENTAL TO THE HWH CORPORATION		

HWH I-80 EXIT 267 SOUTH RT 1 MOSCOW, IOWA 52760		
SCALE 1:6	DATE 12AUG14	DRAWN BY .
HYD CONN DIAGRAM		
TIFFIN		DRAWING NUMBER MP70817 A/C

- Ⓐ AP4074 HOSE ASSY 04 × 108"
ROD END - ALWAYS PRESSURIZED
- Ⓑ AP4161 HOSE ASSY 04 × 120"
CAP END
- Ⓒ AP49246 HOSE ASSY 03 × 156"
ROD END - ALWAYS PRESSURIZED - MUST
MAINTAIN EQUAL LENGTH AND DIAMETER
- Ⓓ AP4062 HOSE ASSY 04 × 132"
CAP END - MUST MAINTAIN EQUAL LENGTH
AND DIAMETER

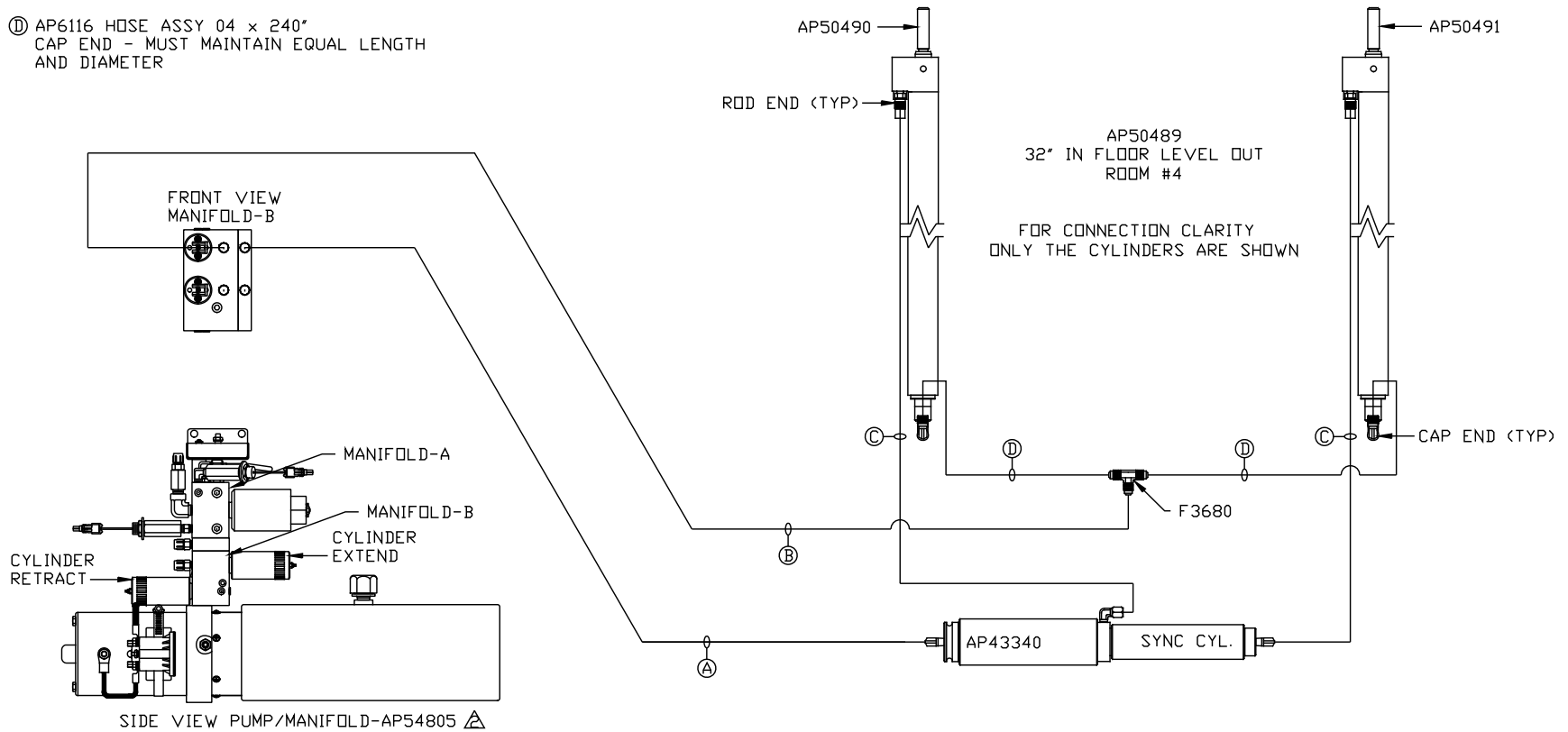


SIDE VIEW PUMP/MANIFOLD-AP54805

LOCATION AND ORIENTATION OF
PUMP/MANIFOLD ASSEMBLY WILL
DIFFER DEPENDING UPON O.E.M.

NOTE: INSTALLATION MUST CONFORM TO GOOD SHOP PRACTICES, SAE
STANDARDS, RVIA STANDARDS, AND OTHER APPLICABLE STANDARDS.

- Ⓐ AP5352 HOSE ASSY 04 x 96"
ROD END - ALWAYS PRESSURIZED
- Ⓑ AP10566 HOSE ASSY 04 x 102"
CAP END
- Ⓒ AP49247 HOSE ASSY 03 x 240"
ROD END - ALWAYS PRESSURIZED - MUST
MAINTAIN EQUAL LENGTH AND DIAMETER
- Ⓓ AP6116 HOSE ASSY 04 x 240"
CAP END - MUST MAINTAIN EQUAL LENGTH
AND DIAMETER



SIDE VIEW PUMP/MANIFOLD-AP54805 ⚠

LOCATION AND ORIENTATION OF
PUMP/MANIFOLD ASSEMBLY WILL
DIFFER DEPENDING UPON O.E.M.

NOTE: INSTALLATION MUST CONFORM TO GOOD SHOP PRACTICES, SAE
STANDARDS, RVIA STANDARDS, AND OTHER APPLICABLE STANDARDS.

MP70817 C/C
24NOV15