

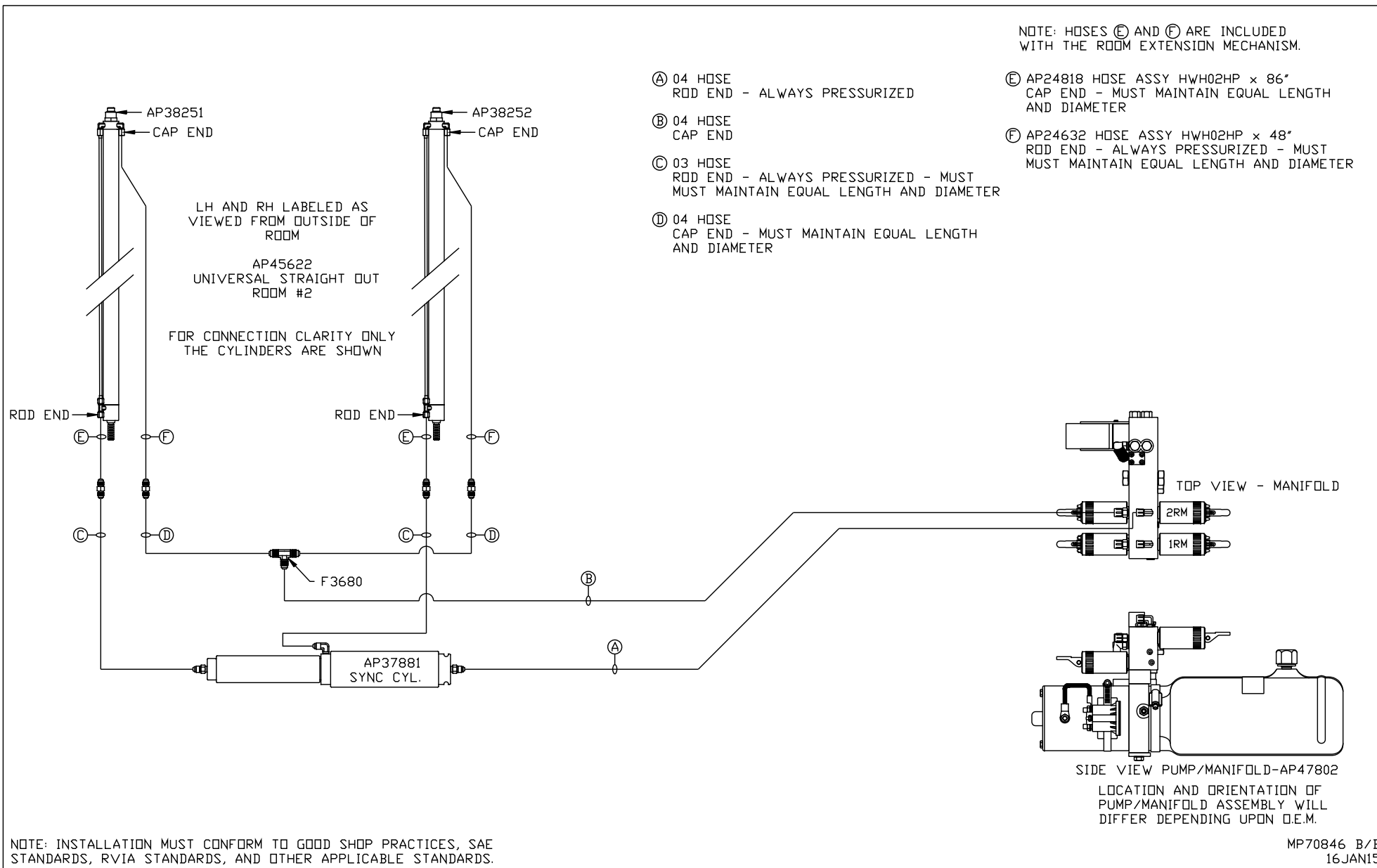
NOTE: HOSES (E) AND (F) ARE INCLUDED WITH THE ROOM EXTENSION MECHANISM.

- (A) 04 HOSE  
ROD END - ALWAYS PRESSURIZED
- (B) 04 HOSE  
CAP END
- (C) 03 HOSE  
ROD END - ALWAYS PRESSURIZED - MUST MAINTAIN EQUAL LENGTH AND DIAMETER
- (D) 04 HOSE  
CAP END - MUST MAINTAIN EQUAL LENGTH AND DIAMETER
- (E) AP24818 HOSE ASSY HWH02HP x 86"  
CAP END - MUST MAINTAIN EQUAL LENGTH AND DIAMETER
- (F) AP24632 HOSE ASSY HWH02HP x 48"  
ROD END - ALWAYS PRESSURIZED - MUST MAINTAIN EQUAL LENGTH AND DIAMETER

NOTE: INSTALLATION MUST CONFORM TO GOOD SHOP PRACTICES, SAE STANDARDS, RVIA STANDARDS, AND OTHER APPLICABLE STANDARDS.

CONTROL PACKAGE: AP54629

		HWH		I-80 EXIT 267 SOUTH RT 1 MOSCOW, IOWA 52760	
		SCALE 1:6	DATE 16JAN15	DRAWN BY .	
		HYD CONN DIAGRAM			
NO.	DATE	REVISION		DRAWING NUMBER	
		THE INFORMATION DISCLOSED ON THIS DRAWING IS CONFIDENTIAL AND MUST NOT BE DISCLOSED OR USED IN ANY MANNER WHICH WILL BE DETRIMENTAL TO THE HWH CORPORATION		MP70846 A/B	
		TWISTER			



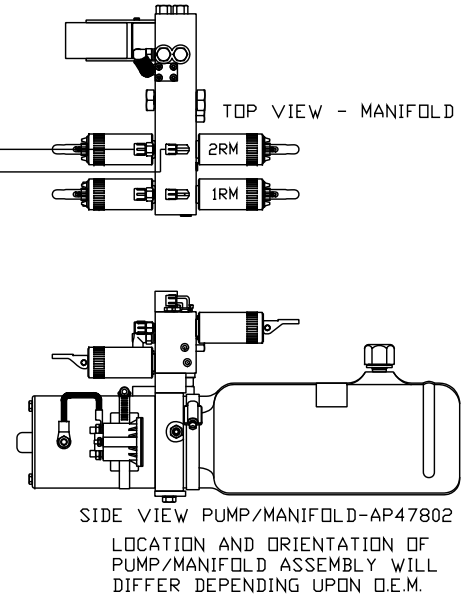
NOTE: HOSES (E) AND (F) ARE INCLUDED WITH THE ROOM EXTENSION MECHANISM.

- (A) 04 HOSE  
ROD END - ALWAYS PRESSURIZED
- (B) 04 HOSE  
CAP END
- (C) 03 HOSE  
ROD END - ALWAYS PRESSURIZED - MUST  
MUST MAINTAIN EQUAL LENGTH AND DIAMETER
- (D) 04 HOSE  
CAP END - MUST MAINTAIN EQUAL LENGTH  
AND DIAMETER
- (E) AP24818 HOSE ASSY HWH02HP x 86"  
CAP END - MUST MAINTAIN EQUAL LENGTH  
AND DIAMETER
- (F) AP24632 HOSE ASSY HWH02HP x 48"  
ROD END - ALWAYS PRESSURIZED - MUST  
MUST MAINTAIN EQUAL LENGTH AND DIAMETER

LH AND RH LABELED AS VIEWED FROM OUTSIDE OF ROOM

AP45622  
UNIVERSAL STRAIGHT OUT  
ROOM #2

FOR CONNECTION CLARITY ONLY  
THE CYLINDERS ARE SHOWN



NOTE: INSTALLATION MUST CONFORM TO GOOD SHOP PRACTICES, SAE STANDARDS, RVIA STANDARDS, AND OTHER APPLICABLE STANDARDS.

MP70846 B/B  
16 JAN15