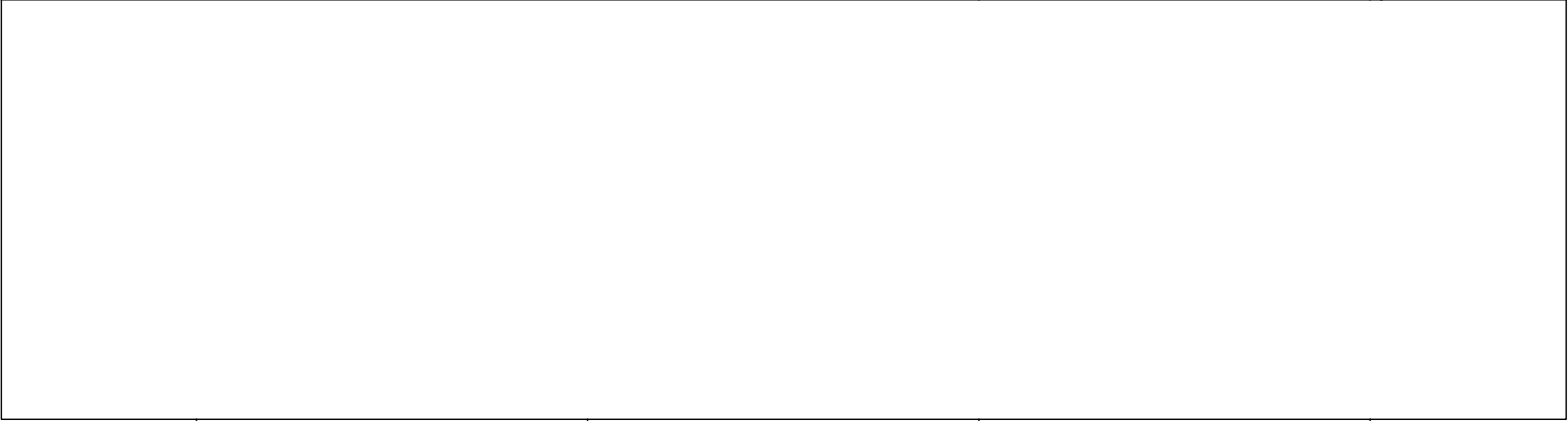


ORIENTATION
 ← FRONT

AP22640
 BED SLIDE
 FUNCTION 3
 "A" ROOM



AP54513
 UNIVERSAL STRAIGHT OUT / HD
 FUNCTION 1
 "B" ROOM

AP54512
 UNIVERSAL STRAIGHT OUT / LD
 FUNCTION 2
 "B" ROOM

NOTE: INSTALLATION MUST CONFORM TO GOOD SHOP PRACTICES, SAE STANDARDS, RVIA STANDARDS, AND OTHER APPLICABLE STANDARDS.

HOSE/MANIF KIT 3RM: AP54568
PUMP KIT: AP54570
LEVELING SYSTEM: AP54566

NO.	DATE	REVISION

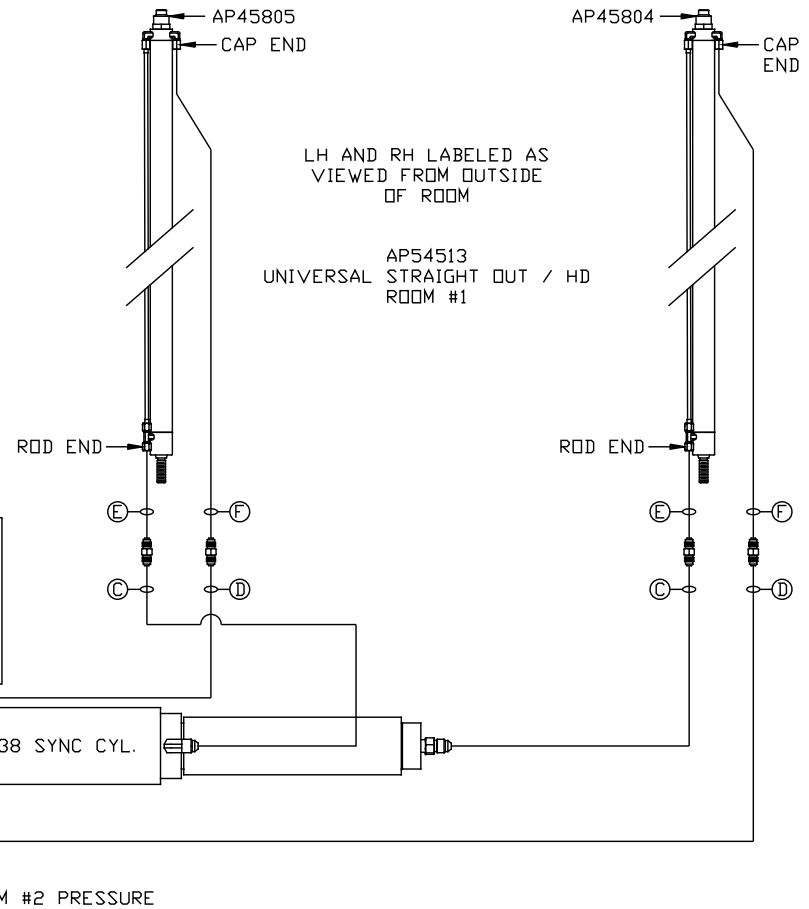
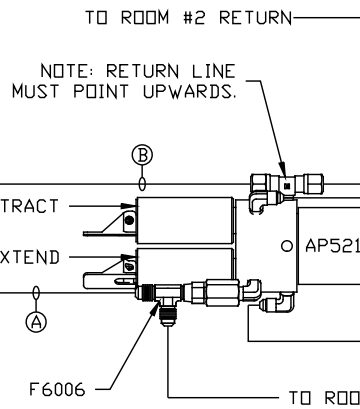
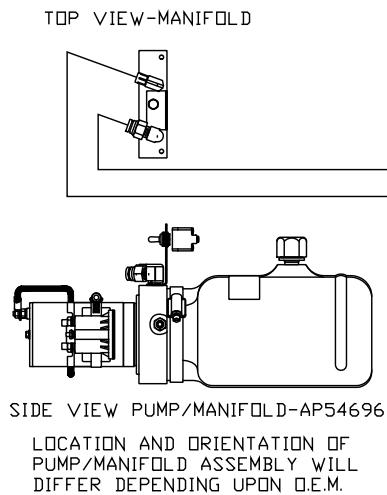
<h1 style="margin: 0;">HWH</h1>			I-80 EXIT 267 SOUTH RT 1 MOSCOW, IOWA 52760		
SCALE 1:6	DATE 31MAR15	DRAWN BY .			
<h2 style="margin: 0;">HYD CONN DIAGRAM</h2>					
<h2 style="margin: 0;">COUNTRY COACH</h2>				DRAWING NUMBER MP70867 A/D	

THE INFORMATION DISCLOSED ON THIS DRAWING IS CONFIDENTIAL AND MUST NOT BE DISCLOSED OR USED IN ANY MANNER WHICH WILL BE DETRIMENTAL TO THE HWH CORPORATION

NOTE: HOSES (E) AND (F) ARE INCLUDED WITH THE ROOM EXTENSION MECHANISM

- (A) AP5965 HOSE ASSY 04 x 180" PRESSURE
- (B) .375" TUBING RETURN
- (C) AP50847 HOSE ASSY 03 x 204" ROD END - ALWAYS PRESSURIZED - MUST MAINTAIN EQUAL LENGTH AND DIAMETER
- (D) AP4310 HOSE ASSY 04 x 204" CAP END - MUST MAINTAIN EQUAL LENGTH AND DIAMETER

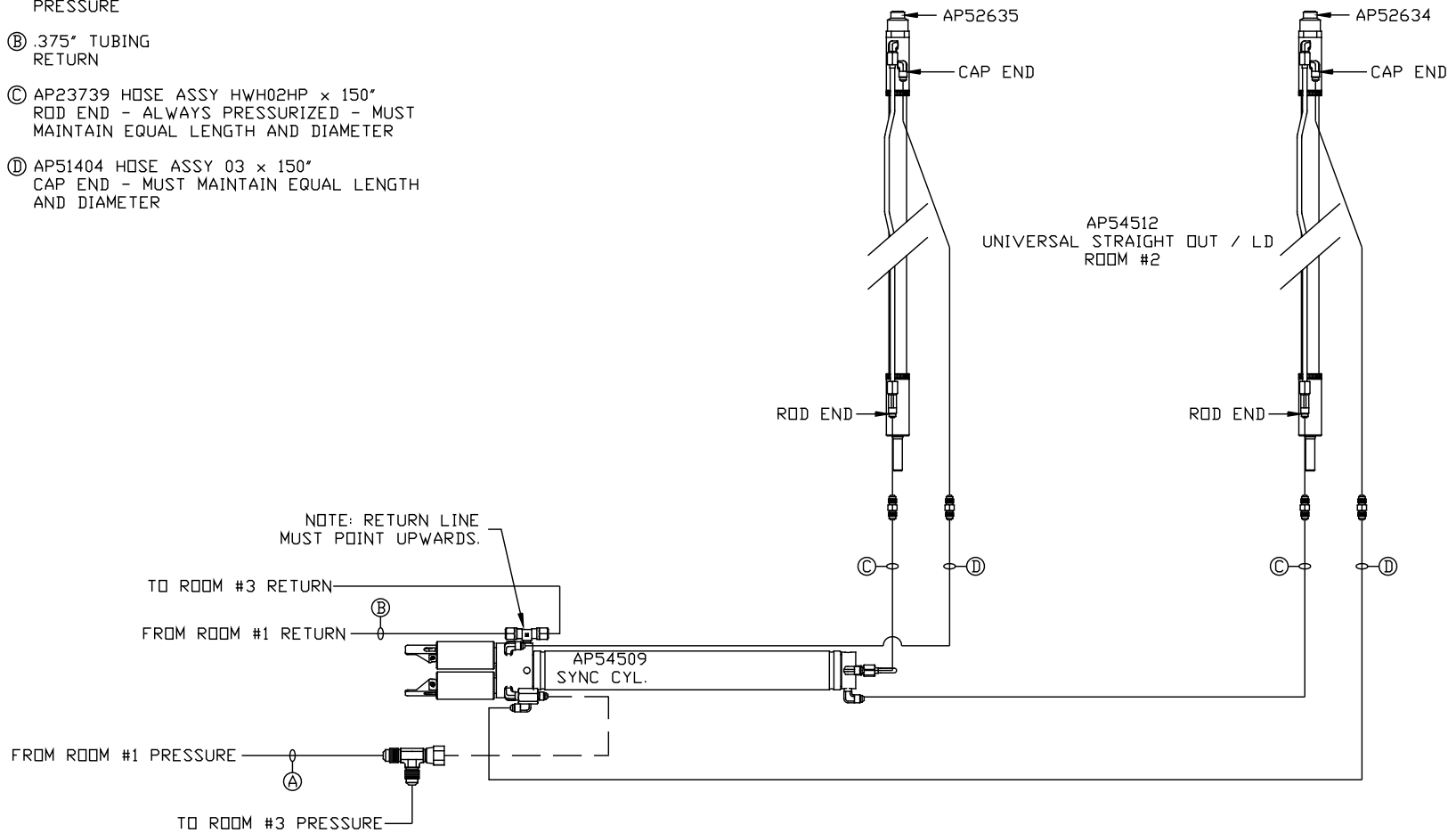
- (E) AP24632 HOSE ASSY HWH02HP x 48" ROD END - ALWAYS PRESSURIZED - MUST MAINTAIN EQUAL LENGTH AND DIAMETER
- (F) AP24818 HOSE ASSY HWH02HP x 86" CAP END - MUST MAINTAIN EQUAL LENGTH AND DIAMETER



NOTE: INSTALLATION MUST CONFORM TO GOOD SHOP PRACTICES, SAE STANDARDS, RVIA STANDARDS, AND OTHER APPLICABLE STANDARDS.

MP70867 B/D
31MAR15

- Ⓐ AP4164 HOSE ASSY 04 x 384"
PRESSURE
- Ⓑ .375" TUBING
RETURN
- Ⓒ AP23739 HOSE ASSY HWH02HP x 150"
ROD END - ALWAYS PRESSURIZED - MUST
MAINTAIN EQUAL LENGTH AND DIAMETER
- Ⓓ AP51404 HOSE ASSY 03 x 150"
CAP END - MUST MAINTAIN EQUAL LENGTH
AND DIAMETER

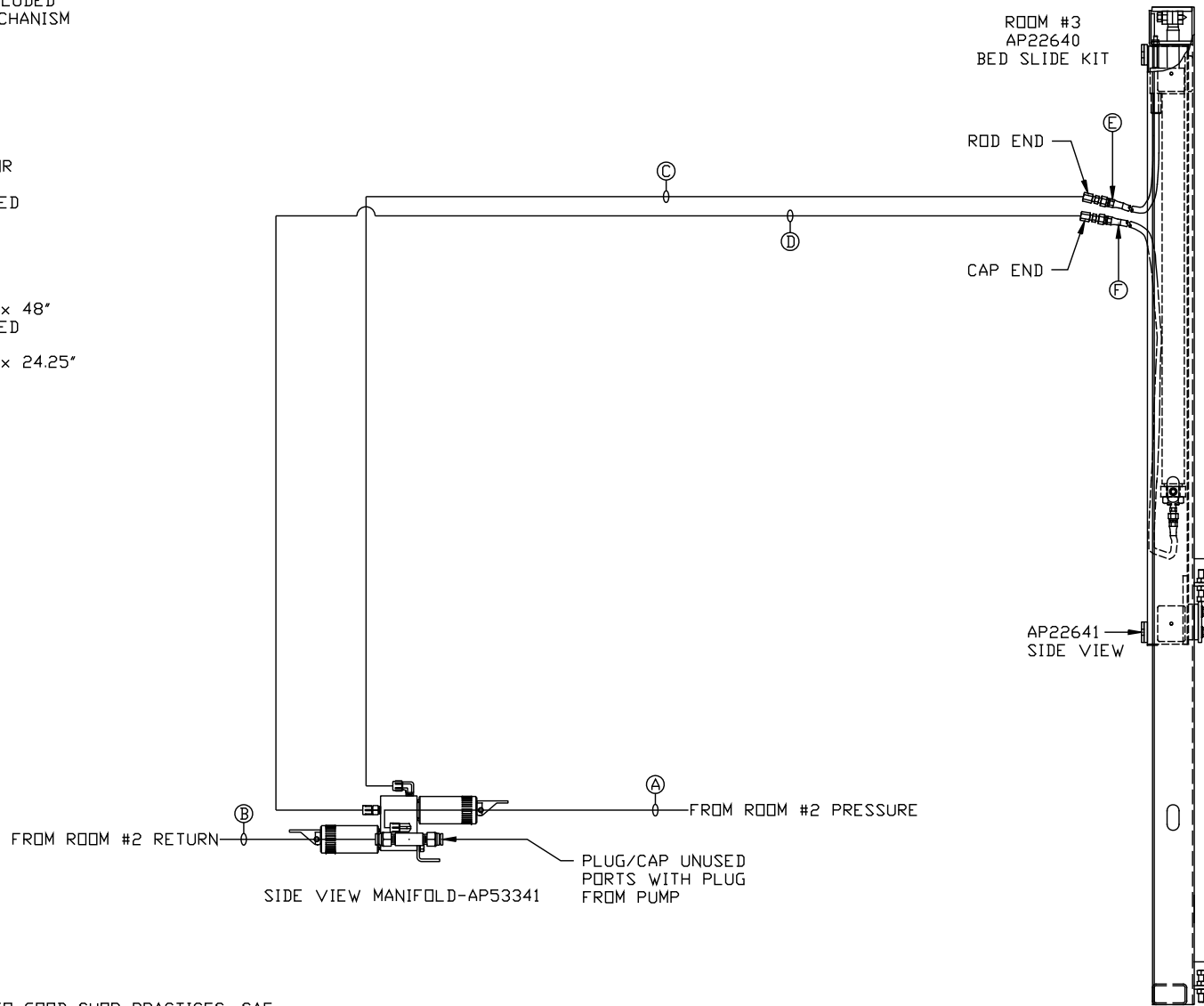


NOTE: INSTALLATION MUST CONFORM TO GOOD SHOP PRACTICES, SAE STANDARDS, RVIA STANDARDS, AND OTHER APPLICABLE STANDARDS.

MP70867 C/D
31MAR15

NOTE: HOSES (E) AND (F) ARE INCLUDED WITH THE ROOM EXTENSION MECHANISM

- (A) AP4062 HOSE ASSY .25 x 132" PRESSURE
- (B) .375" TUBING RETURN
- (C) AP4161 HOSE ASSY 04 x 120" OR AP49245 HOSE ASSY 03 x 120" ROD END - ALWAYS PRESSURIZED
- (D) AP4161 HOSE ASSY 04 x 120" OR AP49245 HOSE ASSY 03 x 120" CAP END
- (E) AP24632 HOSE ASSY HWH02HP x 48" ROD END - ALWAYS PRESSURIZED
- (F) AP24628 HOSE ASSY HWH02HP x 24.25" CAP END



NOTE: INSTALLATION MUST CONFORM TO GOOD SHOP PRACTICES, SAE STANDARDS, RVIA STANDARDS, AND OTHER APPLICABLE STANDARDS.

MP70867 D/D
31MAR15