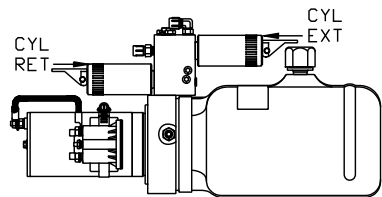
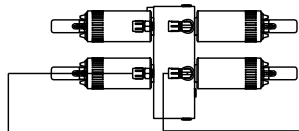


NOTE: HOSES ③ AND ④ ARE INCLUDED WITH THE ROOM EXTENSION MECHANISM

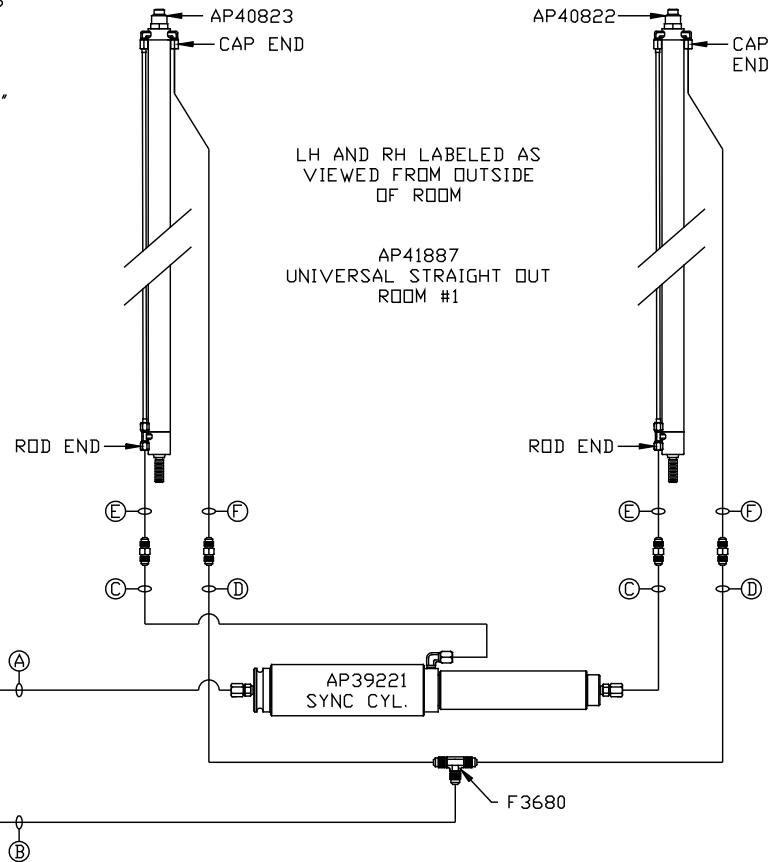
- ① .25 ID HOSE  
ROD END - ALWAYS PRESSURIZED
- ② .25 ID HOSE  
CAP END
- ③ .03 HOSE  
ROD END - ALWAYS PRESSURIZED  
HOSES MUST MAINTAIN EQUAL LENGTH AND DIAMETER
- ④ .25 ID HOSE  
CAP END - HOSES MUST MAINTAIN EQUAL LENGTH AND DIAMETER

- ⑤ AP24632 HOSE ASSY HWH02HP x 48"  
ROD END - ALWAYS PRESSURIZED  
HOSES MUST MAINTAIN EQUAL LENGTH AND DIAMETER
- ⑥ AP24818 HOSE ASSY HWH02HP x 86"  
CAP END - MUST MAINTAIN EQUAL LENGTH AND DIAMETER

TOP VIEW - MANIFOLD



SIDE VIEW PUMP/MANIFOLD-AP54942  
LOCATION AND ORIENTATION OF PUMP/MANIFOLD ASSEMBLY WILL DIFFER DEPENDING UPON O.E.M.

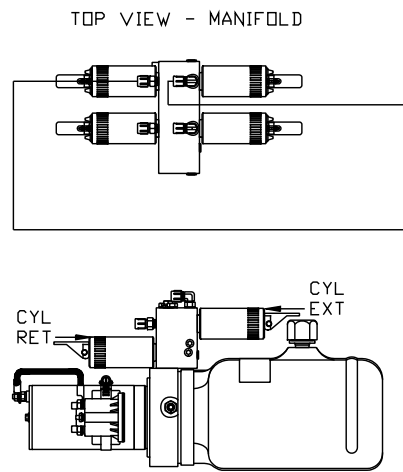


NOTE: INSTALLATION MUST CONFORM TO GOOD SHOP PRACTICES, SAE STANDARDS, RVIA STANDARDS, AND OTHER APPLICABLE STANDARDS.

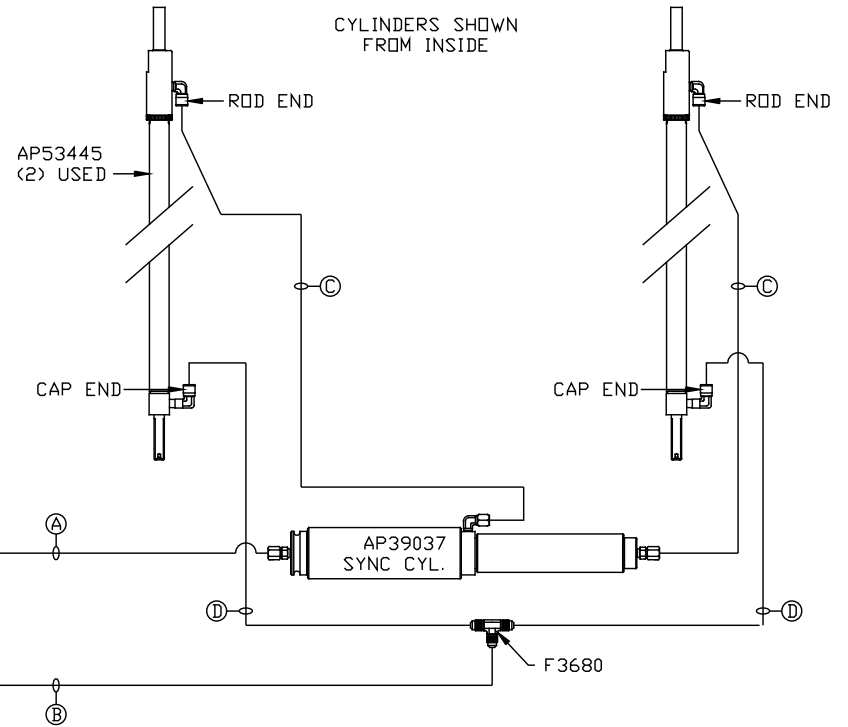
CONTROL PACKAGE:??

		HWH		I-80 EXIT 267 SOUTH RT 1 MOSCOW, IOWA 52760	
		SCALE 1:6	DATE 13APR15	DRAWN BY .	
		HYD CONN DIAGRAM			
NO.	DATE	REVISION			
		COACH HOUSE		DRAWING NUMBER MP70869 A/B	
THE INFORMATION DISCLOSED ON THIS DRAWING IS CONFIDENTIAL AND MUST NOT BE DISCLOSED OR USED IN ANY MANNER WHICH WILL BE DETRIMENTAL TO THE HWH CORPORATION					

- Ⓐ .25 ID HOSE  
ROD END - ALWAYS PRESSURIZED
- Ⓑ .25 ID HOSE  
CAP END
- Ⓒ .03 HOSE  
ROD END - ALWAYS PRESSURIZED  
HOSES MUST MAINTAIN EQUAL  
LENGTH AND DIAMETER
- Ⓓ .25 ID HOSE  
CAP END - HOSES MUST MAINTAIN  
EQUAL LENGTH AND DIAMETER



LOCATION AND ORIENTATION OF  
PUMP/MANIFOLD ASSEMBLY WILL  
DIFFER DEPENDING UPON O.E.M.



NOTE: INSTALLATION MUST CONFORM TO GOOD SHOP PRACTICES, SAE STANDARDS, RVIA STANDARDS, AND OTHER APPLICABLE STANDARDS.

MP70869 B/B  
13APR15