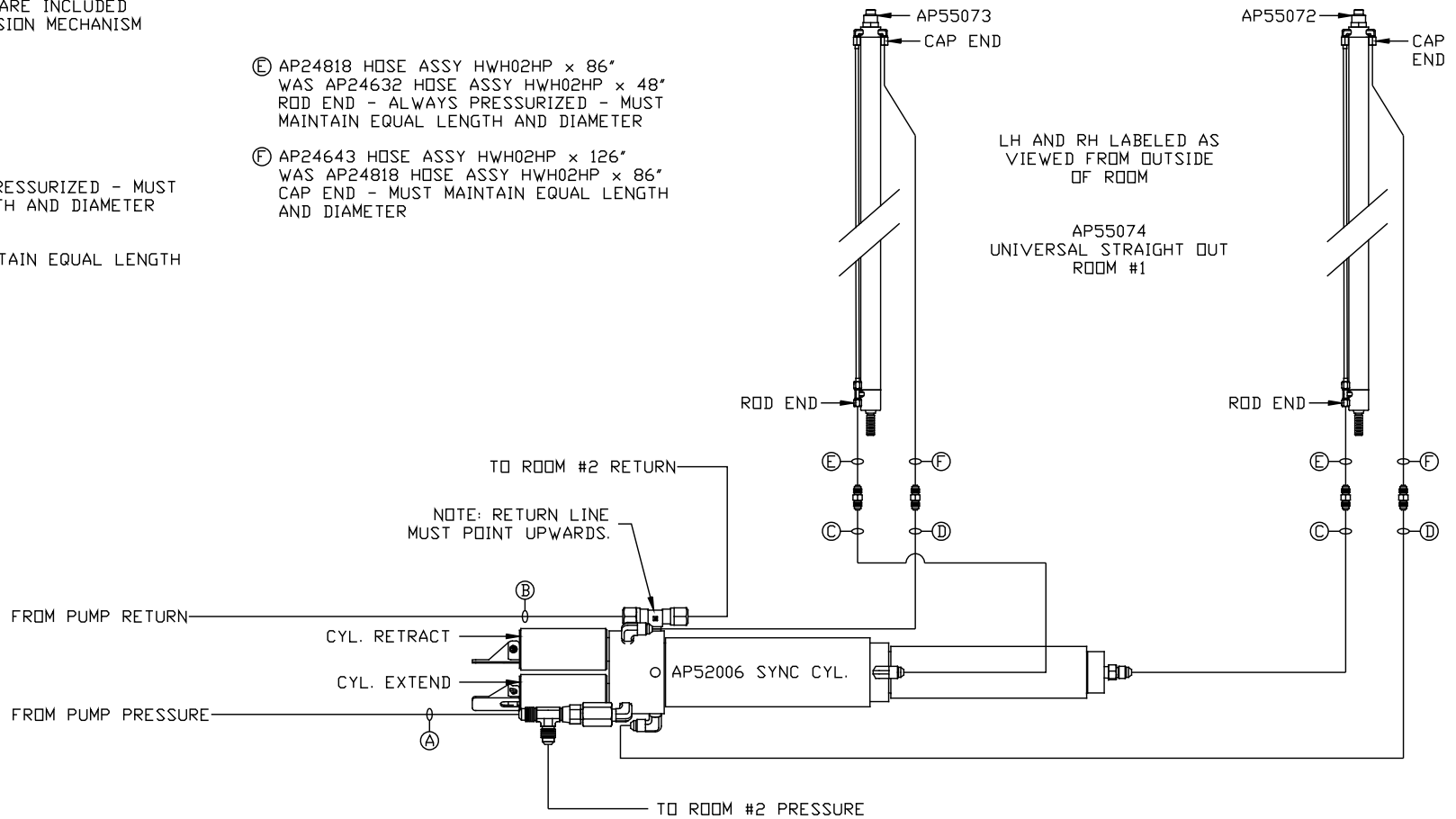


NOTE: HOSES (E) AND (F) ARE INCLUDED WITH THE ROOM EXTENSION MECHANISM

- (A) HOSE ASSY 04
PRESSURE
- (B) .375" TUBING
RETURN
- (C) HOSE ASSY 03
ROD END - ALWAYS PRESSURIZED - MUST MAINTAIN EQUAL LENGTH AND DIAMETER
- (D) HOSE ASSY 04
CAP END - MUST MAINTAIN EQUAL LENGTH AND DIAMETER

- (E) AP24818 HOSE ASSY HWH02HP x 86"
WAS AP24632 HOSE ASSY HWH02HP x 48"
ROD END - ALWAYS PRESSURIZED - MUST MAINTAIN EQUAL LENGTH AND DIAMETER
- (F) AP24643 HOSE ASSY HWH02HP x 126"
WAS AP24818 HOSE ASSY HWH02HP x 86"
CAP END - MUST MAINTAIN EQUAL LENGTH AND DIAMETER



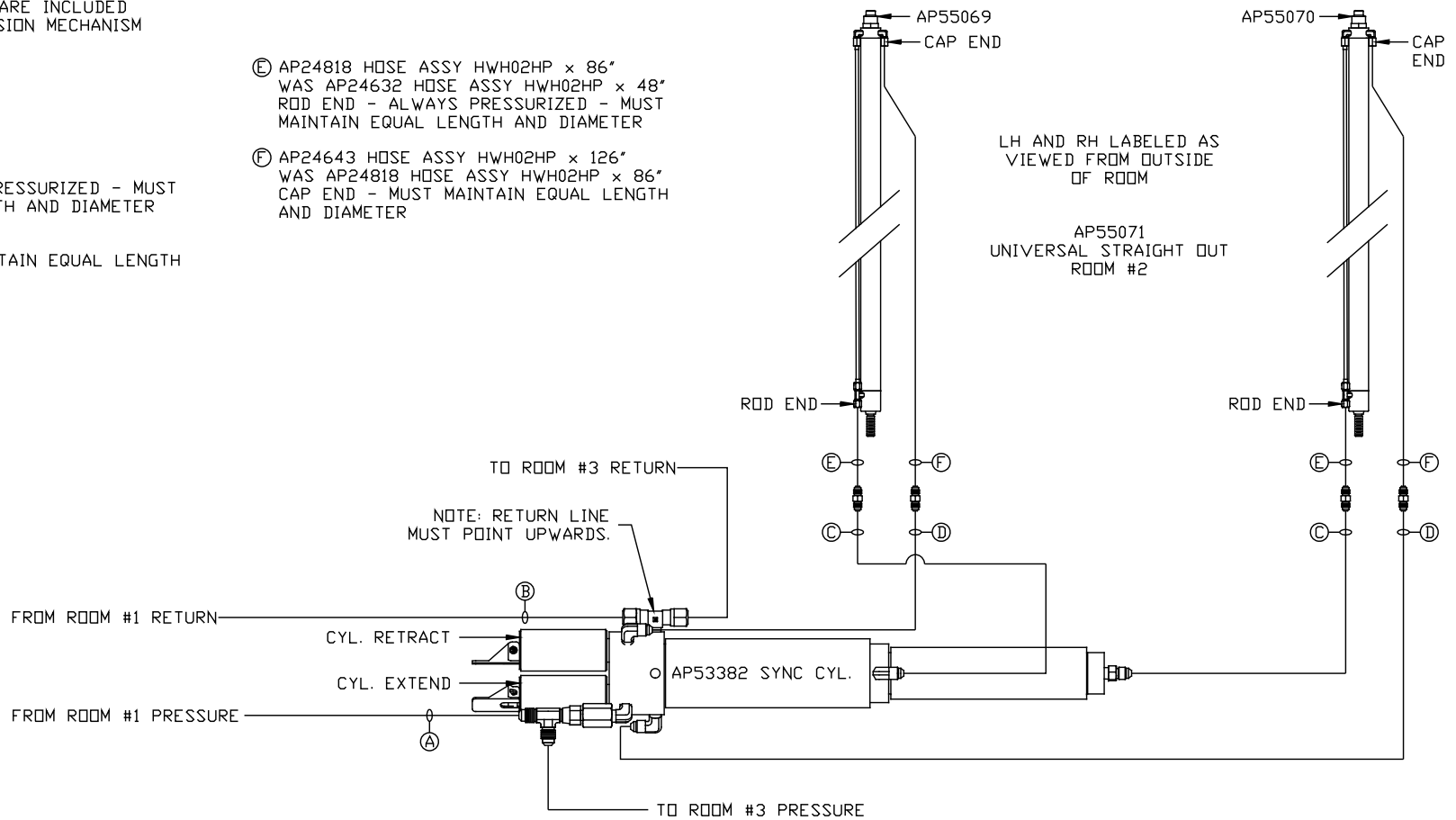
NOTE: INSTALLATION MUST CONFORM TO GOOD SHOP PRACTICES, SAE STANDARDS, RVIA STANDARDS, AND OTHER APPLICABLE STANDARDS.

MP70871 B/D
06AUG15

NOTE: HOSES (E) AND (F) ARE INCLUDED WITH THE ROOM EXTENSION MECHANISM

- (A) HOSE ASSY 04
PRESSURE
- (B) .375" TUBING
RETURN
- (C) HOSE ASSY 03
ROD END - ALWAYS PRESSURIZED - MUST MAINTAIN EQUAL LENGTH AND DIAMETER
- (D) HOSE ASSY 04
CAP END - MUST MAINTAIN EQUAL LENGTH AND DIAMETER

- (E) AP24818 HOSE ASSY HWH02HP x 86"
WAS AP24632 HOSE ASSY HWH02HP x 48"
ROD END - ALWAYS PRESSURIZED - MUST MAINTAIN EQUAL LENGTH AND DIAMETER
- (F) AP24643 HOSE ASSY HWH02HP x 126"
WAS AP24818 HOSE ASSY HWH02HP x 86"
CAP END - MUST MAINTAIN EQUAL LENGTH AND DIAMETER



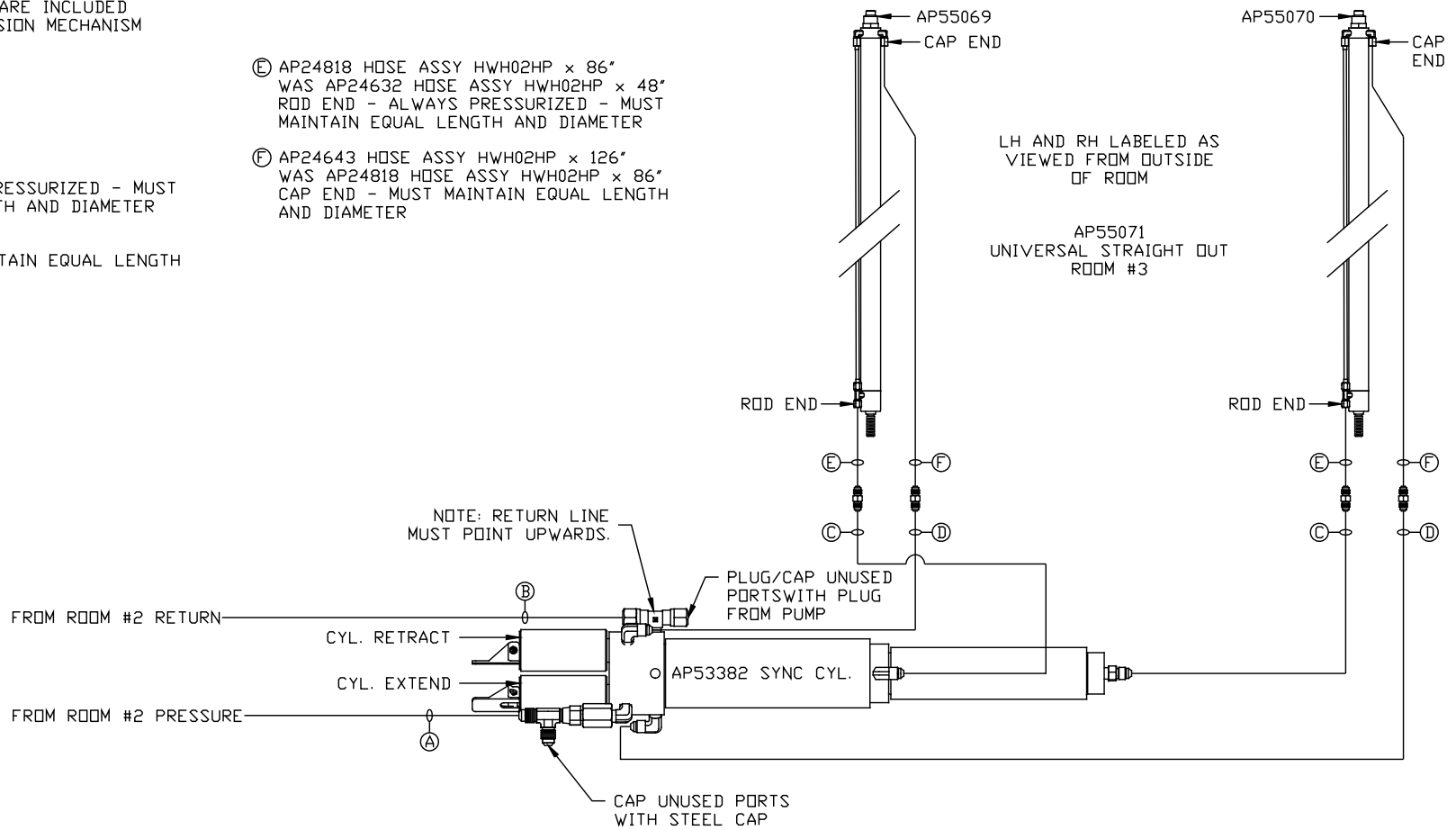
NOTE: INSTALLATION MUST CONFORM TO GOOD SHOP PRACTICES, SAE STANDARDS, RVIA STANDARDS, AND OTHER APPLICABLE STANDARDS.

MP70871 C/D
06AUG15

NOTE: HOSES (E) AND (F) ARE INCLUDED WITH THE ROOM EXTENSION MECHANISM

- (A) HOSE ASSY 04 PRESSURE
- (B) .375" TUBING RETURN
- (C) HOSE ASSY 03 ROD END - ALWAYS PRESSURIZED - MUST MAINTAIN EQUAL LENGTH AND DIAMETER
- (D) HOSE ASSY 04 CAP END - MUST MAINTAIN EQUAL LENGTH AND DIAMETER

- (E) AP24818 HOSE ASSY HWH02HP x 86" WAS AP24632 HOSE ASSY HWH02HP x 48" ROD END - ALWAYS PRESSURIZED - MUST MAINTAIN EQUAL LENGTH AND DIAMETER
- (F) AP24643 HOSE ASSY HWH02HP x 126" WAS AP24818 HOSE ASSY HWH02HP x 86" CAP END - MUST MAINTAIN EQUAL LENGTH AND DIAMETER



NOTE: INSTALLATION MUST CONFORM TO GOOD SHOP PRACTICES, SAE STANDARDS, RVIA STANDARDS, AND OTHER APPLICABLE STANDARDS.

MP70871 D/D
06AUG15