

SIDE VIEW PUMP/MANIFOLD-AP54245

LOCATION AND ORIENTATION OF
PUMP/MANIFOLD ASSEMBLY WILL
DIFFER DEPENDING UPON O.E.M.

NOTE: INSTALLATION MUST CONFORM TO GOOD SHOP PRACTICES, SAE STANDARDS, RVIA STANDARDS, AND OTHER APPLICABLE STANDARDS.

HOSE KIT 2 ROOM: AP54717
CONTROL PACKAGE: AP54714

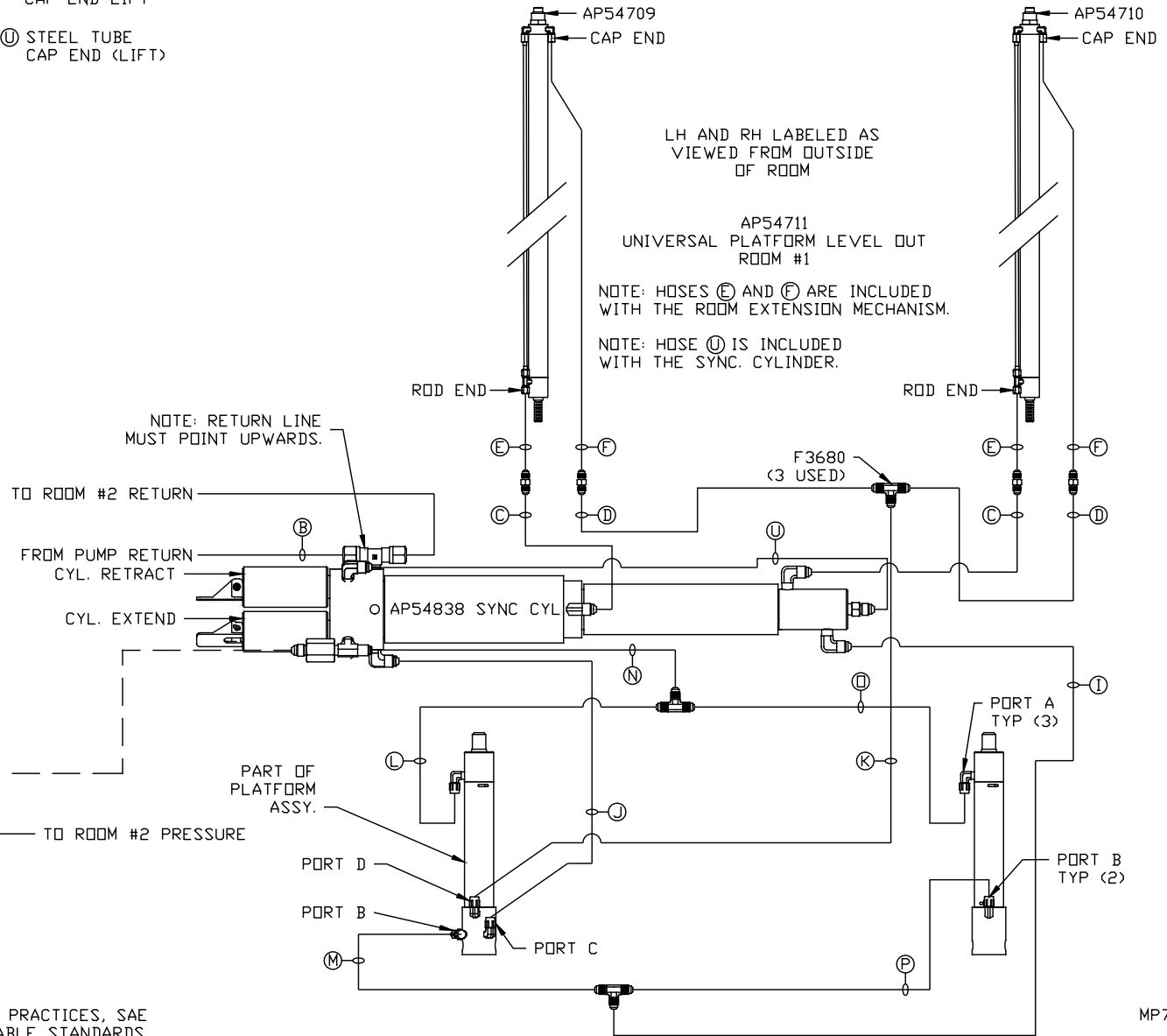
△	22FEB16	CORRECTED PART NO.
NO.	DATE	REVISION

THE INFORMATION DISCLOSED ON THIS DRAWING IS CONFIDENTIAL AND MUST NOT BE DISCLOSED OR USED IN ANY MANNER WHICH WILL BE DETRIMENTAL TO THE HWH CORPORATION

HWH			I-80 EXIT 267 SOUTH RT 1 MOSCOW, IOWA 52760		
SCALE 1:6	DATE 15APR15	DRAWN BY .			
HYD CONN DIAGRAM					
KENTUCKY TRAILER				DRAWING NUMBER MP70872 A/C	

- Ⓐ AP5965 HOSE ASSY 04 x 180" PRESSURE
- Ⓑ P5145 .375" OD NYLON TUBING x 180" RETURN
- Ⓒ AP50909 HOSE ASSY 03 x 72" ROD END - ALWAYS PRESSURIZED - MUST BE HIGH PRESSURE HOSES OF EQUAL LENGTH AND DIAMETER
- Ⓓ AP4159 HOSE ASSY 04 x 72" CAP END - MUST MAINTAIN EQUAL LENGTH AND DIAMETER
- Ⓔ AP24632 HOSE ASSY HWH02HP x 48" ROD END - ALWAYS PRESSURIZED - MUST BE HIGH PRESSURE HOSES OF EQUAL LENGTH AND DIAMETER
- Ⓕ AP24818 HOSE ASSY HWH02HP x 86" CAP END - MUST MAINTAIN EQUAL LENGTH AND DIAMETER
- Ⓖ HOSE ASSY 04 CAP END (LIFT)
- Ⓙ HOSE ASSY 03 CAP END (ROOM)
- Ⓚ HOSE ASSY 03 CAP END (ROOM)
- Ⓛ HOSE ASSY 03 ROD END (LIFT) - ALWAYS PRESSURIZED
- Ⓜ HOSE ASSY 03 CAP END (LIFT)
- Ⓝ HOSE ASSY 04 ROD END - ALWAYS PRESSURIZED (LIFT)
- Ⓟ HOSE ASSY 03 ROD END (LIFT) - ALWAYS PRESSURIZED

- Ⓟ HOSE ASSY 03 CAP END LIFT
- Ⓡ STEEL TUBE CAP END (LIFT)

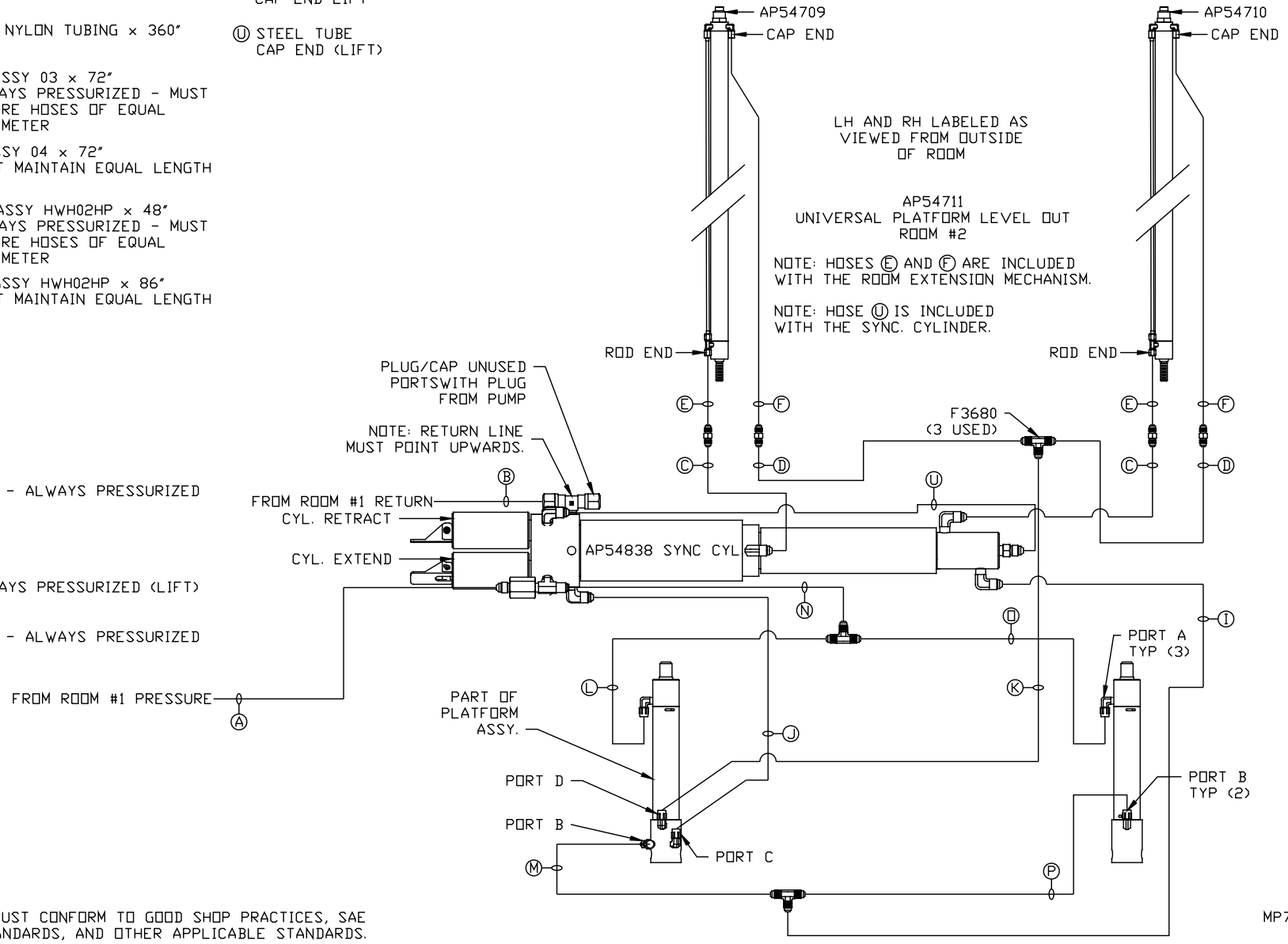


NOTE: INSTALLATION MUST CONFORM TO GOOD SHOP PRACTICES, SAE STANDARDS, RVIA STANDARDS, AND OTHER APPLICABLE STANDARDS.

MP70872 B/C
15APR15

- Ⓐ AP4163 HOSE ASSY 04 x 360" PRESSURE
- Ⓑ P4479 .375" OD NYLON TUBING x 360" RETURN
- Ⓒ AP50909 HOSE ASSY 03 x 72" ROD END - ALWAYS PRESSURIZED - MUST BE HIGH PRESSURE HOSES OF EQUAL LENGTH AND DIAMETER
- Ⓓ AP4159 HOSE ASSY 04 x 72" CAP END - MUST MAINTAIN EQUAL LENGTH AND DIAMETER
- Ⓔ AP24632 HOSE ASSY HWH02HP x 48" ROD END - ALWAYS PRESSURIZED - MUST BE HIGH PRESSURE HOSES OF EQUAL LENGTH AND DIAMETER
- Ⓕ AP24818 HOSE ASSY HWH02HP x 86" CAP END - MUST MAINTAIN EQUAL LENGTH AND DIAMETER
- Ⓖ HOSE ASSY 04 CAP END (LIFT)
- Ⓙ HOSE ASSY 03 CAP END (ROOM)
- Ⓚ HOSE ASSY 03 CAP END (ROOM)
- Ⓛ HOSE ASSY 03 ROD END (LIFT) - ALWAYS PRESSURIZED
- Ⓜ HOSE ASSY 03 CAP END (LIFT)
- Ⓝ HOSE ASSY 04 ROD END - ALWAYS PRESSURIZED (LIFT)
- Ⓟ HOSE ASSY 03 ROD END (LIFT) - ALWAYS PRESSURIZED

- Ⓟ HOSE ASSY 03 CAP END LIFT
- Ⓡ STEEL TUBE CAP END (LIFT)



NOTE: INSTALLATION MUST CONFORM TO GOOD SHOP PRACTICES, SAE STANDARDS, RVIA STANDARDS, AND OTHER APPLICABLE STANDARDS.

MP70872 C/C
22FEB16