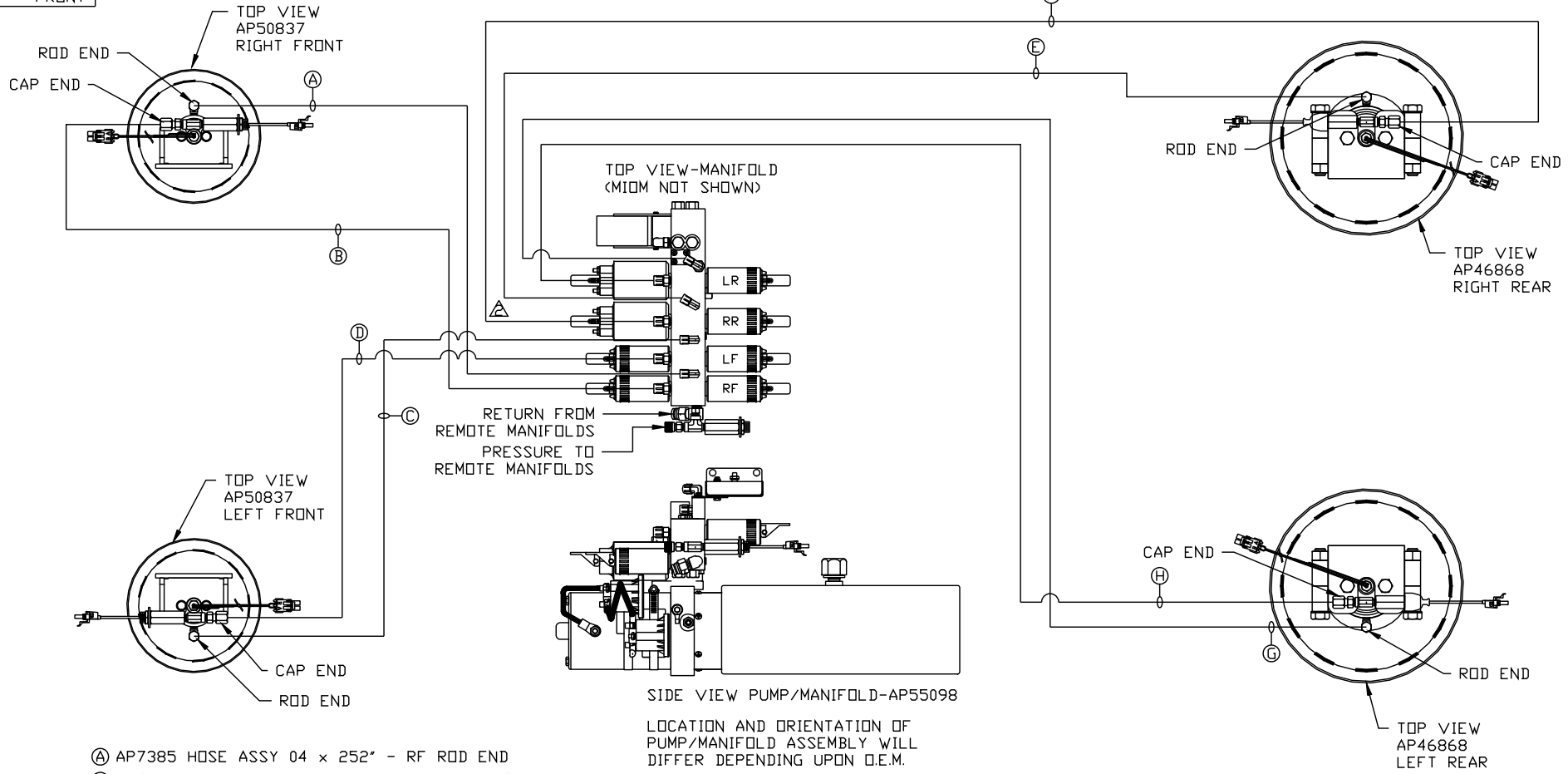


ORIENTATION

← FRONT



- Ⓐ AP7385 HOSE ASSY 04 x 252" - RF ROD END
- Ⓑ AP42093 HOSE ASSY 05 x 276" - RF CAP END
- Ⓒ AP5561 HOSE ASSY 04 x 336" - LF ROD END
- Ⓓ AP8381 HOSE ASSY 05 x 360" - LF CAP END
- Ⓔ AP4159 HOSE ASSY 04 x 72" - RR ROD END
- Ⓕ AP42051 HOSE ASSY 05 x 84" - RR CAP END
- Ⓖ AP5352 HOSE ASSY 04 x 96" - LR ROD END
- Ⓗ AP42054 HOSE ASSY 05 x 108" - LR CAP END

NOTE: INSTALLATION MUST CONFORM TO GOOD SHOP PRACTICES, SAE STANDARDS, RVIA STANDARDS, AND OTHER APPLICABLE STANDARDS.

LEVELING SYSTEM: AP55239

⚠	22FEB16	CORRECTED ROD/CAP
1	06AUG15	UPDATED HOSES
NO.	DATE	REVISION

THE INFORMATION DISCLOSED ON THIS DRAWING IS CONFIDENTIAL AND MUST NOT BE DISCLOSED OR USED IN ANY MANNER WHICH WILL BE DETRIMENTAL TO THE HWH CORPORATION

HWH		I-80 EXIT 267 SOUTH RT 1 MOSCOW, IOWA 52760	
SCALE 1:6	DATE 09JUN15	DRAWN BY .	
HYD CONN DIAGRAM			
FARBER			DRAWING NUMBER MP70882 A/B

NOTE: HOSES (E) AND (F) ARE INCLUDED WITH THE ROOM EXTENSION MECHANISM

(A) HOSE ASSY 04
PRESSURE

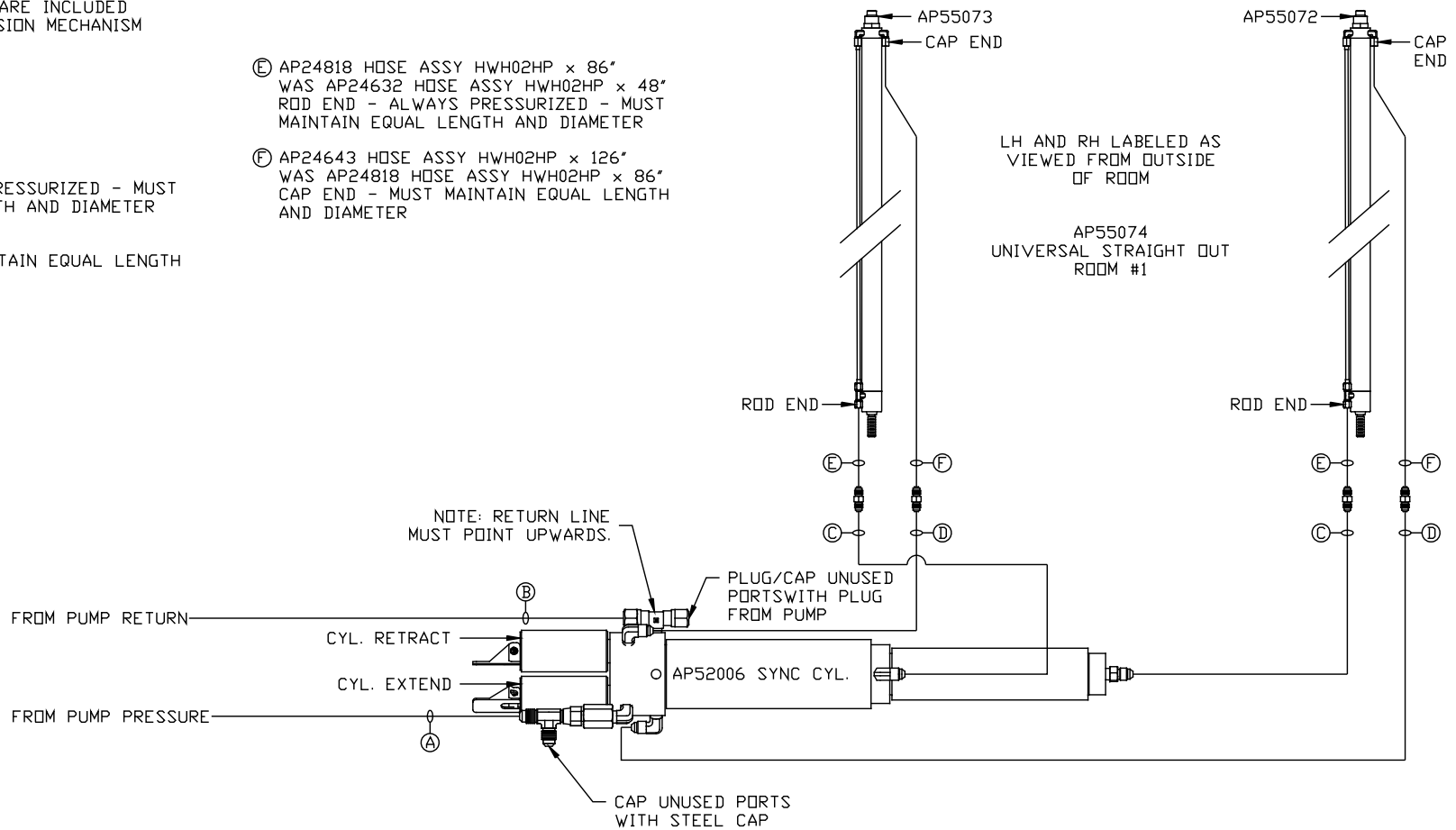
(B) .375" TUBING
RETURN

(C) HOSE ASSY 03
ROD END - ALWAYS PRESSURIZED - MUST MAINTAIN EQUAL LENGTH AND DIAMETER

(D) HOSE ASSY 04
CAP END - MUST MAINTAIN EQUAL LENGTH AND DIAMETER

(E) AP24818 HOSE ASSY HWH02HP x 86"
WAS AP24632 HOSE ASSY HWH02HP x 48"
ROD END - ALWAYS PRESSURIZED - MUST MAINTAIN EQUAL LENGTH AND DIAMETER

(F) AP24643 HOSE ASSY HWH02HP x 126"
WAS AP24818 HOSE ASSY HWH02HP x 86"
CAP END - MUST MAINTAIN EQUAL LENGTH AND DIAMETER



NOTE: INSTALLATION MUST CONFORM TO GOOD SHOP PRACTICES, SAE STANDARDS, RVIA STANDARDS, AND OTHER APPLICABLE STANDARDS.

MP70882 B/B
06AUG15