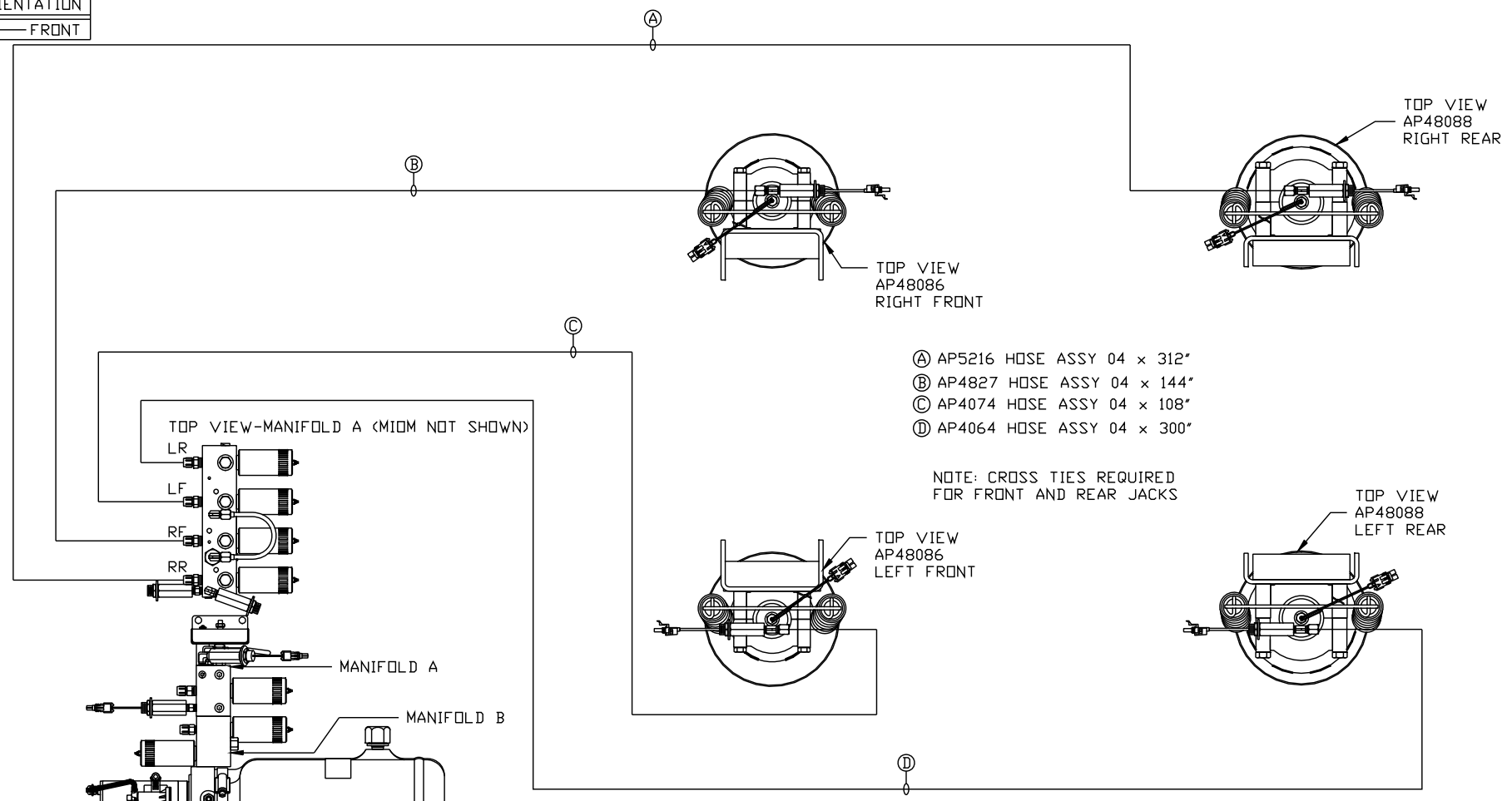
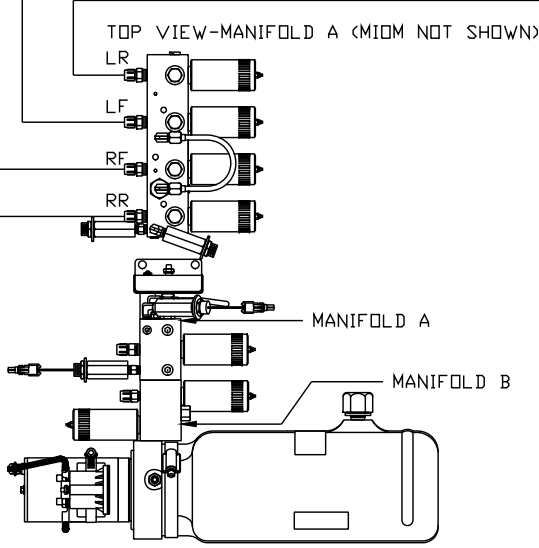


ORIENTATION  
← FRONT



- Ⓐ AP5216 HOSE ASSY 04 x 312"
- Ⓑ AP4827 HOSE ASSY 04 x 144"
- Ⓒ AP4074 HOSE ASSY 04 x 108"
- Ⓓ AP4064 HOSE ASSY 04 x 300"

NOTE: CROSS TIES REQUIRED FOR FRONT AND REAR JACKS



SIDE VIEW PUMP/MANIFOLD-AP47686

LOCATION AND ORIENTATION OF PUMP/MANIFOLD ASSEMBLY WILL DIFFER DEPENDING UPON O.E.M.

NOTE: INSTALLATION MUST CONFORM TO GOOD SHOP PRACTICES, SAE STANDARDS, RVIA STANDARDS, AND OTHER APPLICABLE STANDARDS.

SYNC KIT: AP56006	NO.	DATE	REVISION
PUMP KIT: AP47685	⚠	18FEB16	UPDATED HOSES
JACK KIT: AP47683			

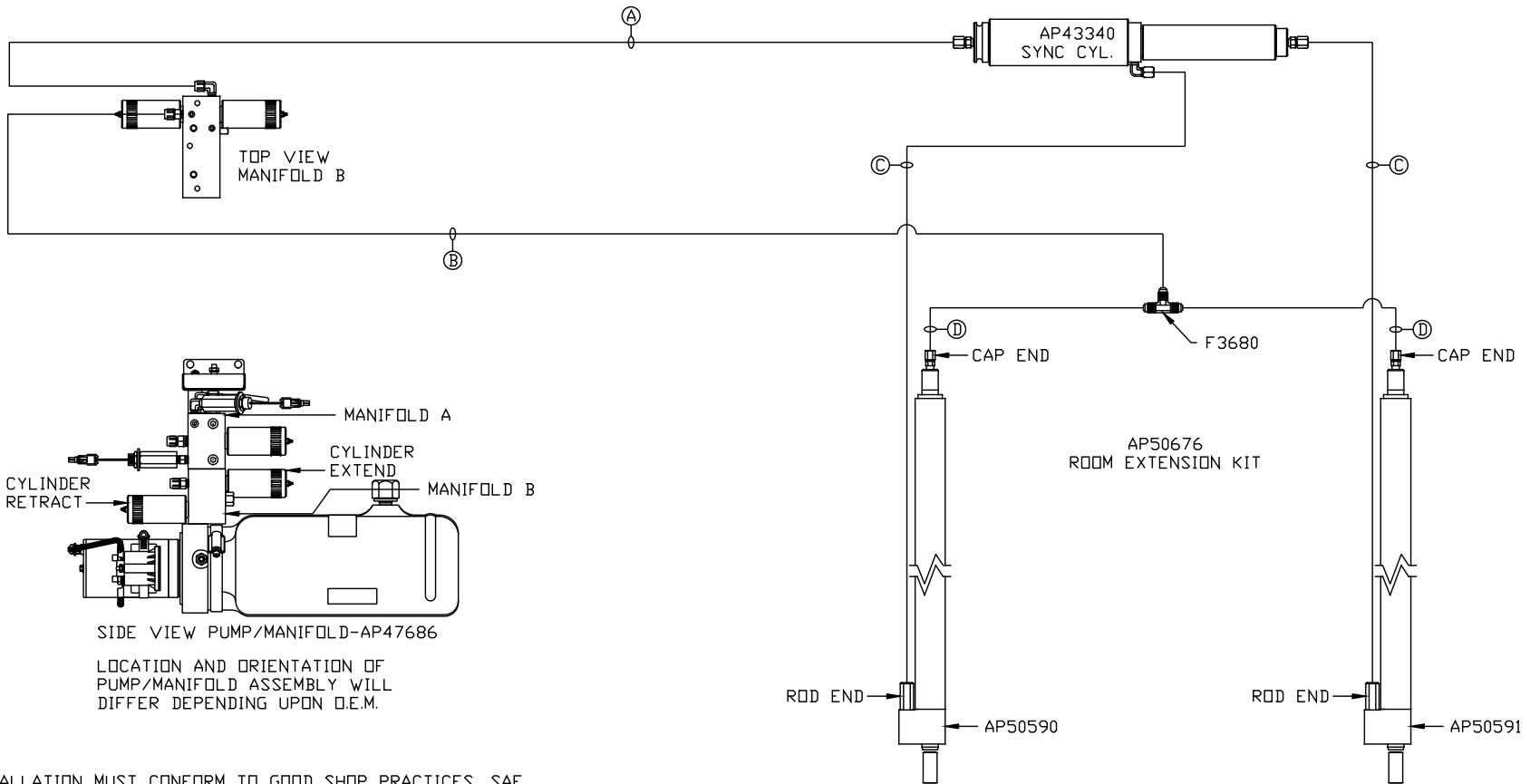
HWH		I-80 EXIT 267 SOUTH	
		RT 1 MOSCOW, IOWA 52760	
SCALE 1:6	DATE 20NOV15	DRAWN BY .	
HYD CONN DIAGRAM			
TIFFIN			DRAWING NUMBER MP70908 A/B

THE INFORMATION DISCLOSED ON THIS DRAWING IS CONFIDENTIAL AND MUST NOT BE DISCLOSED OR USED IN ANY MANNER WHICH WILL BE DETRIMENTAL TO THE HWH CORPORATION

ORIENTATION

← FRONT

- ⚠ A AP4065 HOSE ASSY 04 x 156"  
WAS AP4062 HOSE ASSY 04 x 132"  
ROD END - ALWAYS PRESSURIZED
- B AP4827 HOSE ASSY 04 x 144"  
CAP END
- C AP50847 HOSE ASSY 03 x 204"  
ROD END - ALWAYS PRESSURIZED  
HOSES MUST MAINTAIN EQUAL  
LENGTH AND DIAMETER
- D AP4310 HOSE ASSY 04 x 204"  
CAP END - HOSES MUST MAINTAIN  
EQUAL LENGTH AND DIAMETER



SIDE VIEW PUMP/MANIFOLD-AP47686

LOCATION AND ORIENTATION OF  
PUMP/MANIFOLD ASSEMBLY WILL  
DIFFER DEPENDING UPON O.E.M.

NOTE: INSTALLATION MUST CONFORM TO GOOD SHOP PRACTICES, SAE  
STANDARDS, RVIA STANDARDS, AND OTHER APPLICABLE STANDARDS.

MP70908 B/B  
18FEB16