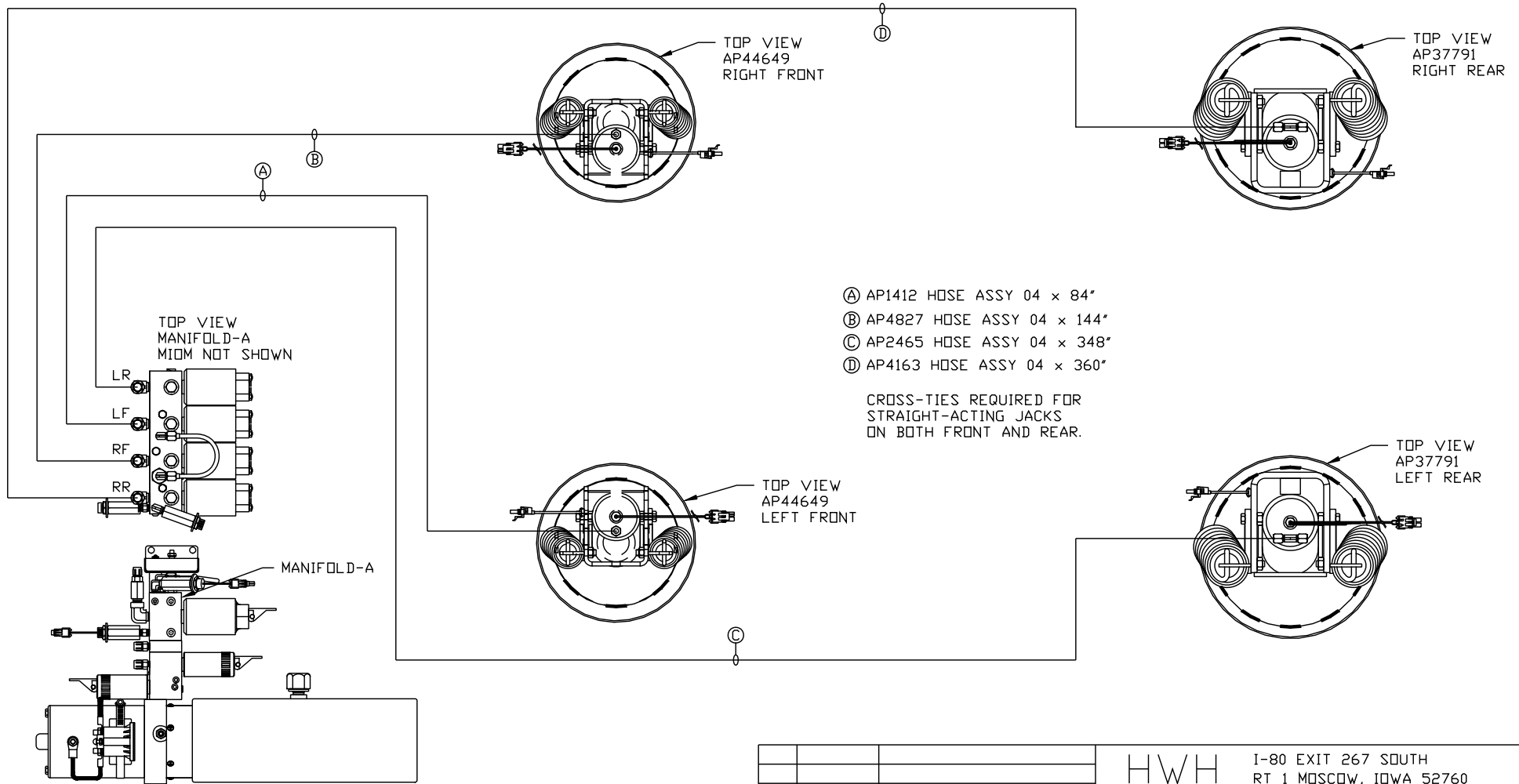
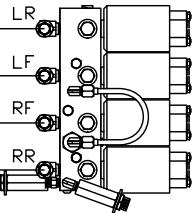


ORIENTATION

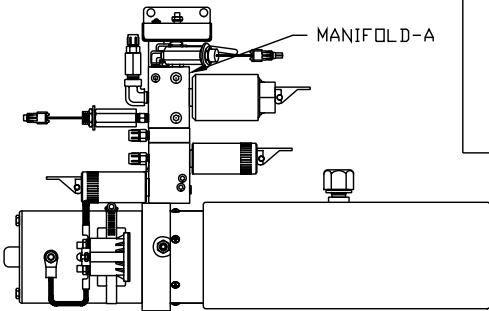
← FRONT



TOP VIEW
MANIFOLD-A
MIDM NOT SHOWN



MANIFOLD-A



SIDE VIEW PUMP/MANIFOLD-AP54805

LOCATION AND ORIENTATION OF
PUMP/MANIFOLD ASSEMBLY WILL
DIFFER DEPENDING UPON O.E.M.

- Ⓐ AP1412 HOSE ASSY 04 x 84"
- Ⓑ AP4827 HOSE ASSY 04 x 144"
- Ⓒ AP2465 HOSE ASSY 04 x 348"
- Ⓓ AP4163 HOSE ASSY 04 x 360"

CROSS-TIES REQUIRED FOR
STRAIGHT-ACTING JACKS
ON BOTH FRONT AND REAR.

SYNC KIT: AP51798

PUMP KIT: AP48122

JACK KIT: AP49000

NO.	DATE	REVISION

THE INFORMATION DISCLOSED ON THIS DRAWING IS CONFIDENTIAL AND MUST NOT BE DISCLOSED OR USED IN ANY MANNER WHICH WILL BE DETRIMENTAL TO THE HWH CORPORATION

HWH I-80 EXIT 267 SOUTH
RT 1 MOSCOW, IOWA 52760

SCALE 1:6 DATE 20NOV15 DRAWN BY .

HYD CONN DIAGRAM

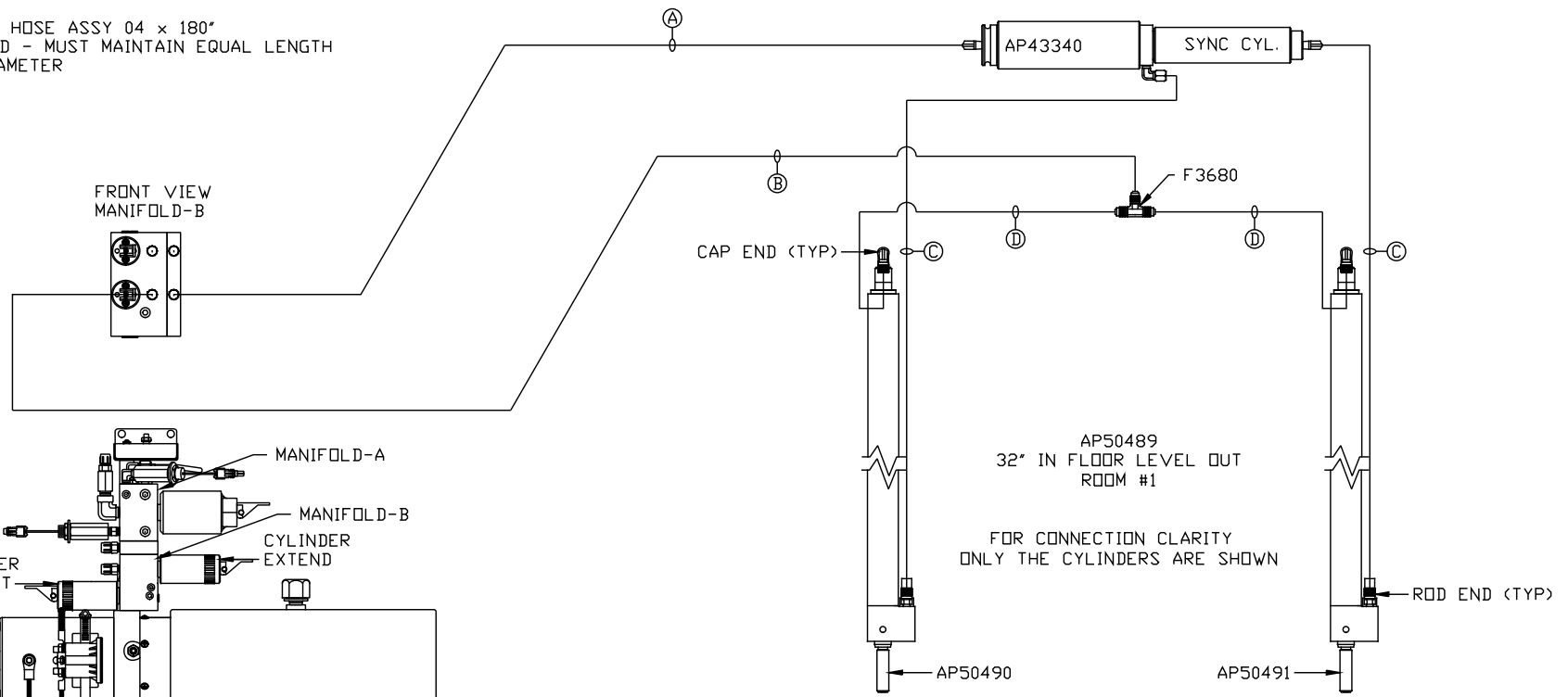
TIFFIN

DRAWING NUMBER
MP70909 A/C

NOTE: INSTALLATION MUST CONFORM TO GOOD SHOP PRACTICES, SAE STANDARDS, RVIA STANDARDS, AND OTHER APPLICABLE STANDARDS.

ORIENTATION
 ← FRONT

- Ⓐ AP4074 HOSE ASSY 04 x 108"
ROD END - ALWAYS PRESSURIZED
- Ⓑ AP4161 HOSE ASSY 04 x 120"
CAP END
- Ⓒ AP49517 HOSE ASSY 03 x 180"
ROD END - ALWAYS PRESSURIZED - MUST
MAINTAIN EQUAL LENGTH AND DIAMETER
- Ⓓ AP5965 HOSE ASSY 04 x 180"
CAP END - MUST MAINTAIN EQUAL LENGTH
AND DIAMETER



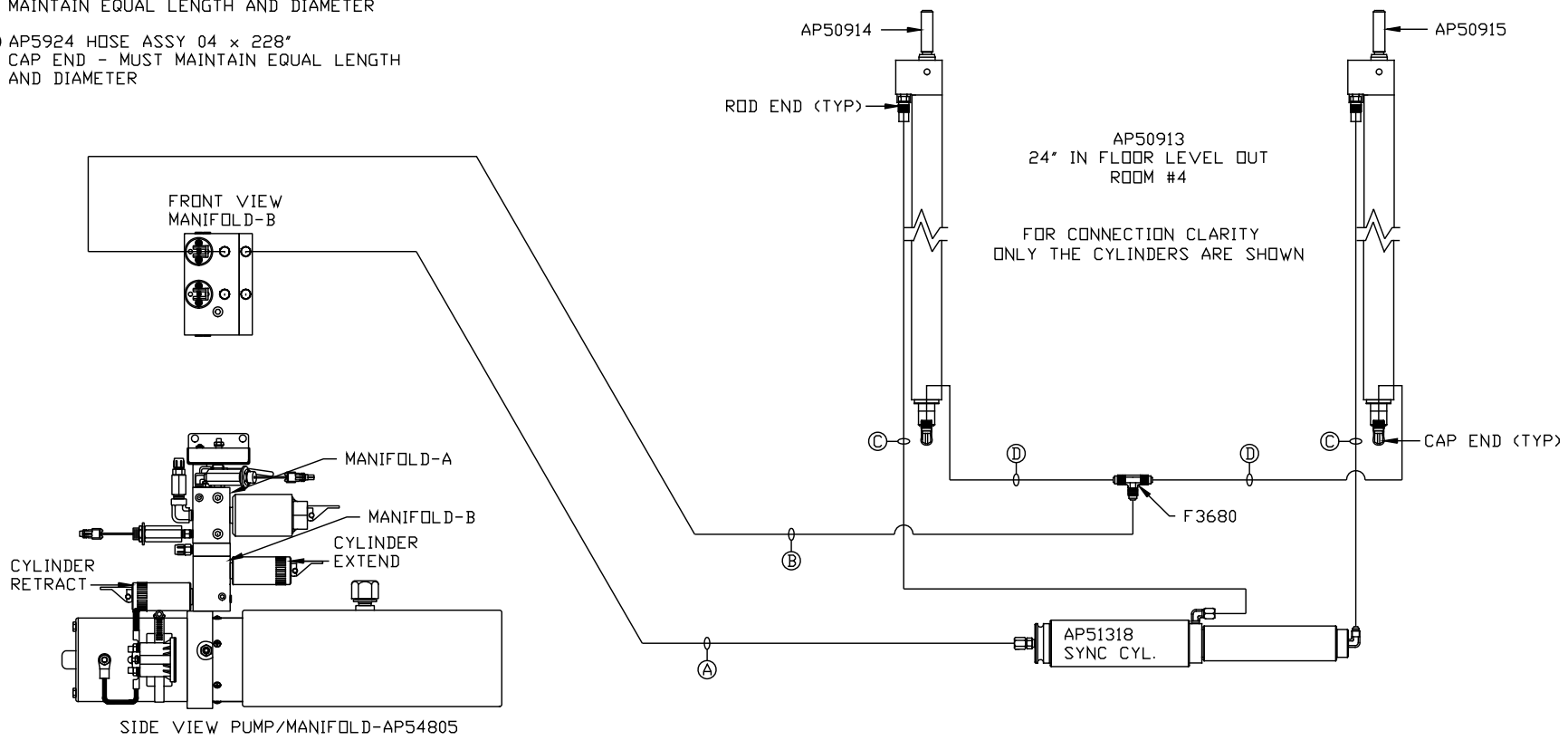
SIDE VIEW PUMP/MANIFOLD-AP54805
 LOCATION AND ORIENTATION OF
 PUMP/MANIFOLD ASSEMBLY WILL
 DIFFER DEPENDING UPON O.E.M.

NOTE: INSTALLATION MUST CONFORM TO GOOD SHOP PRACTICES, SAE
 STANDARDS, RVIA STANDARDS, AND OTHER APPLICABLE STANDARDS.

ORIENTATION

← FRONT

- Ⓐ AP5352 HOSE ASSY 04 × 96"
ROD END - ALWAYS PRESSURIZED
- Ⓑ AP10566 HOSE ASSY 04 × 102"
CAP END
- Ⓒ AP50847 HOSE ASSY 03 × 204"
ROD END - ALWAYS PRESSURIZED - MUST
MAINTAIN EQUAL LENGTH AND DIAMETER
- Ⓓ AP5924 HOSE ASSY 04 × 228"
CAP END - MUST MAINTAIN EQUAL LENGTH
AND DIAMETER



SIDE VIEW PUMP/MANIFOLD-AP54805
 LOCATION AND ORIENTATION OF
 PUMP/MANIFOLD ASSEMBLY WILL
 DIFFER DEPENDING UPON O.E.M.

NOTE: INSTALLATION MUST CONFORM TO GOOD SHOP PRACTICES, SAE
 STANDARDS, RVIA STANDARDS, AND OTHER APPLICABLE STANDARDS.