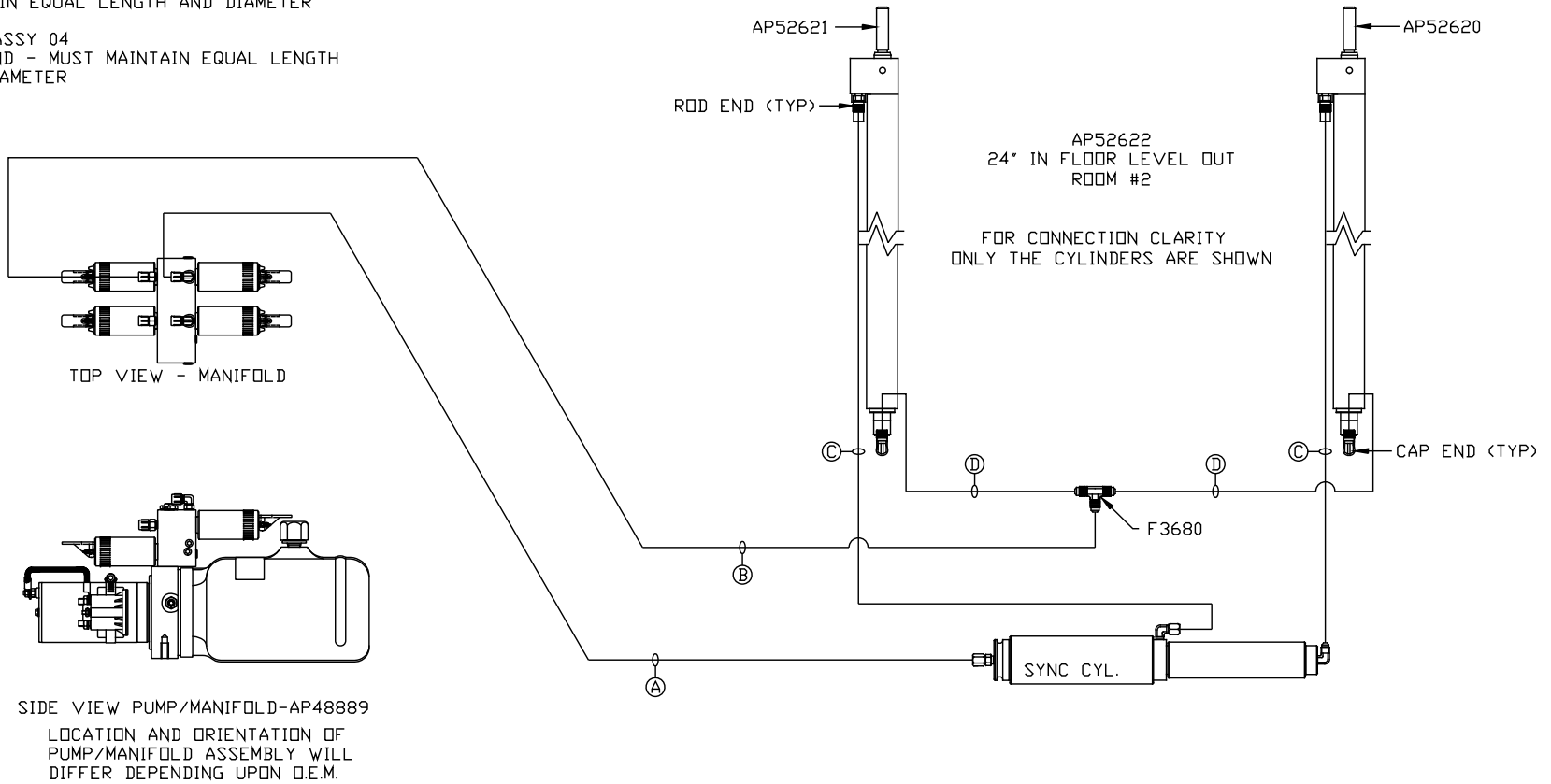


ORIENTATION

← FRONT

- Ⓐ HOSE ASSY 04
ROD END - ALWAYS PRESSURIZED
- Ⓑ HOSE ASSY 04
CAP END
- Ⓒ HOSE ASSY 03
ROD END - ALWAYS PRESSURIZED - MUST
MAINTAIN EQUAL LENGTH AND DIAMETER
- Ⓓ HOSE ASSY 04
CAP END - MUST MAINTAIN EQUAL LENGTH
AND DIAMETER



NOTE: INSTALLATION MUST CONFORM TO GOOD SHOP PRACTICES, SAE STANDARDS, RVIA STANDARDS, AND OTHER APPLICABLE STANDARDS.

MP70915 B/B
23NOV15