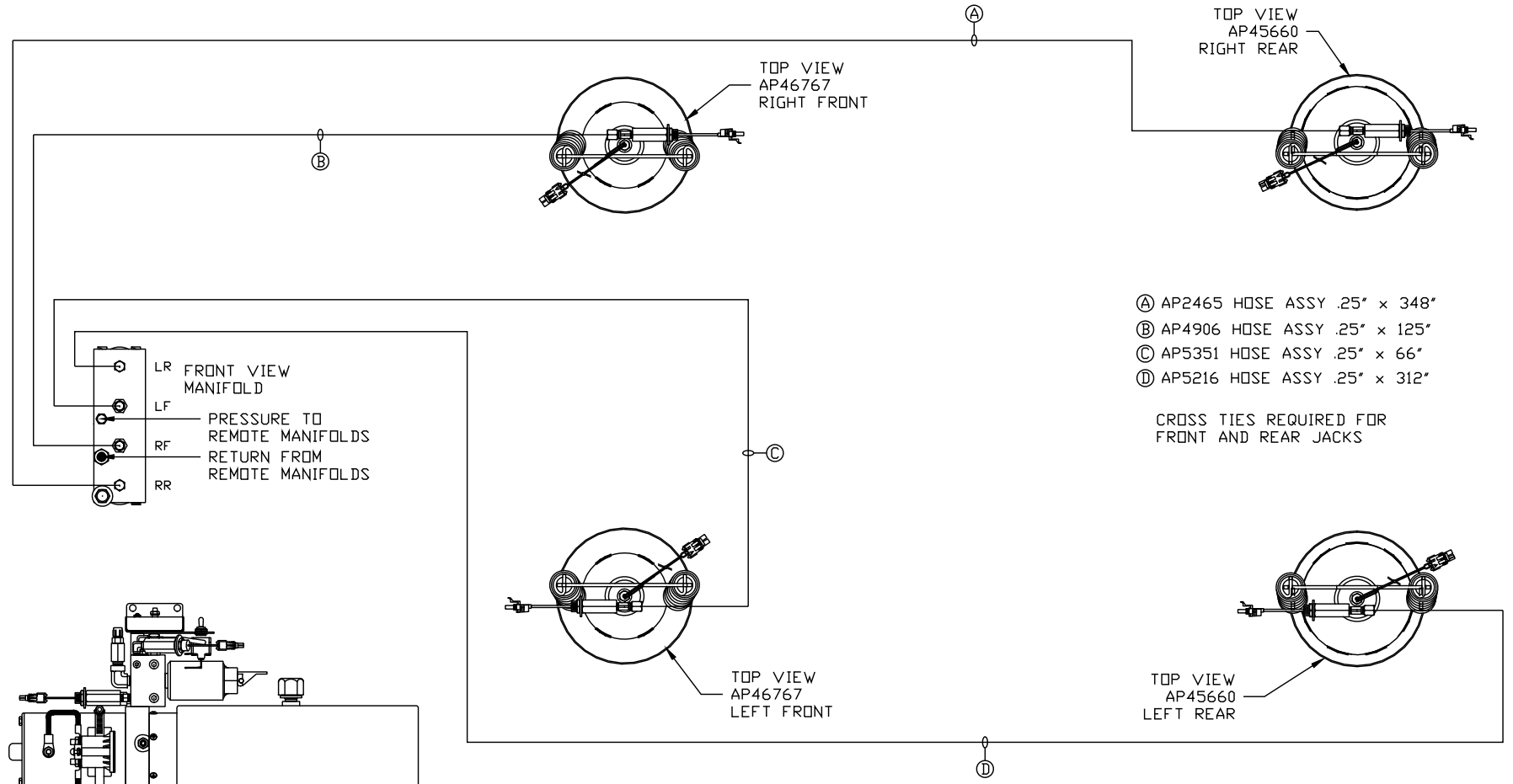
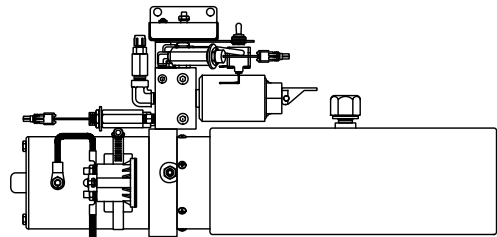


ORIENTATION  
 ← FRONT



- Ⓐ AP2465 HOSE ASSY .25" x 348"
- Ⓑ AP4906 HOSE ASSY .25" x 125"
- Ⓒ AP5351 HOSE ASSY .25" x 66"
- Ⓓ AP5216 HOSE ASSY .25" x 312"

CROSS TIES REQUIRED FOR FRONT AND REAR JACKS



SIDE VIEW PUMP/MANIFOLD-AP55728

LOCATION AND ORIENTATION OF PUMP/MANIFOLD ASSEMBLY WILL DIFFER DEPENDING UPON O.E.M.

NOTE: INSTALLATION MUST CONFORM TO GOOD SHOP PRACTICES, SAE STANDARDS, RVIA STANDARDS, AND OTHER APPLICABLE STANDARDS.

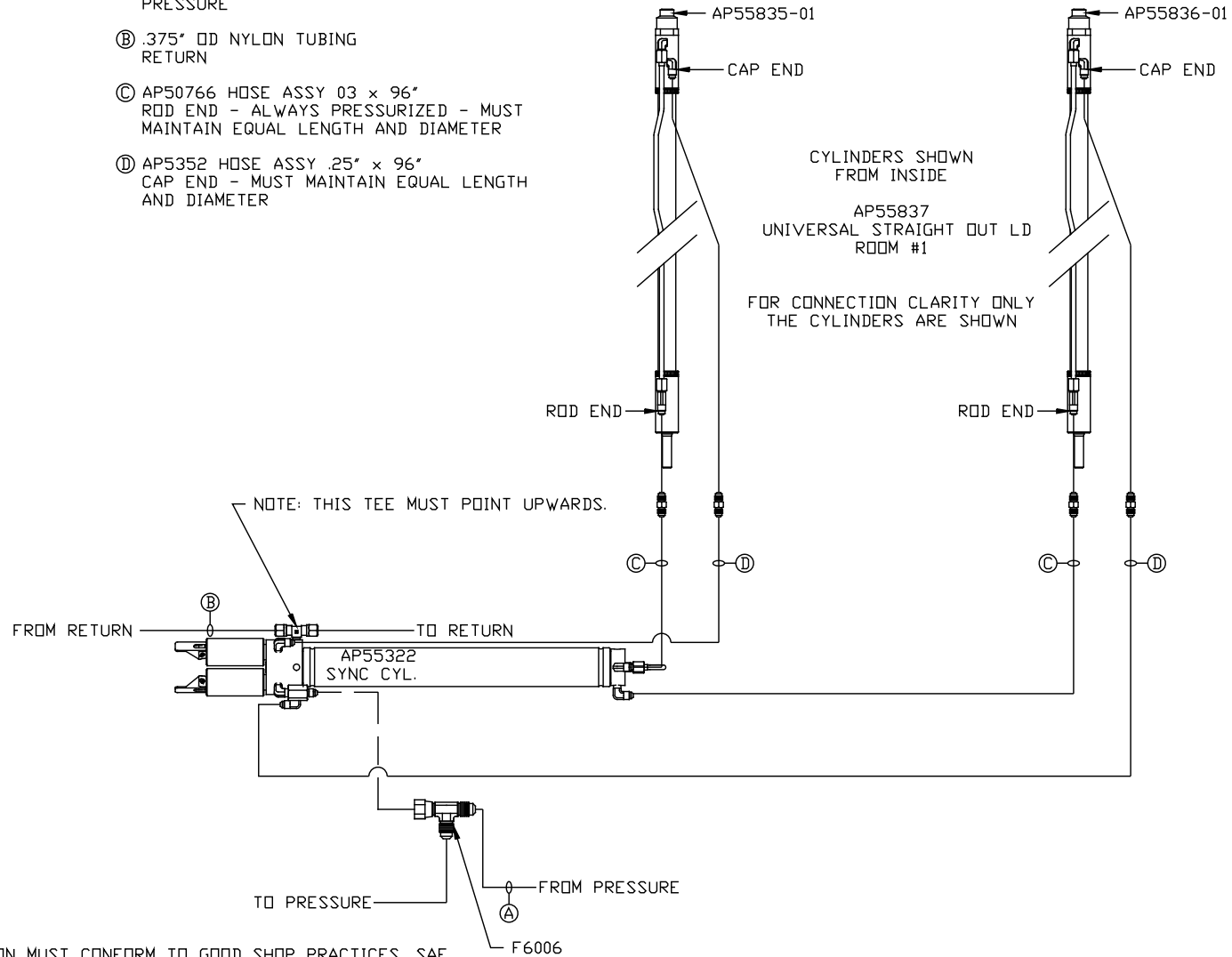
LEVELING SYSTEM: AP55830

NO.	DATE	REVISION
THE INFORMATION DISCLOSED ON THIS DRAWING IS CONFIDENTIAL AND MUST NOT BE DISCLOSED OR USED IN ANY MANNER WHICH WILL BE DETRIMENTAL TO THE HWH CORPORATION		

<b>HWH</b>			I-80 EXIT 267 SOUTH RT 1 MOSCOW, IOWA 52760		
SCALE 1:6	DATE 08DEC15	DRAWN BY .			
HYD CONN DIAGRAM					
FORETRAVEL				DRAWING NUMBER MP70955 A/C	

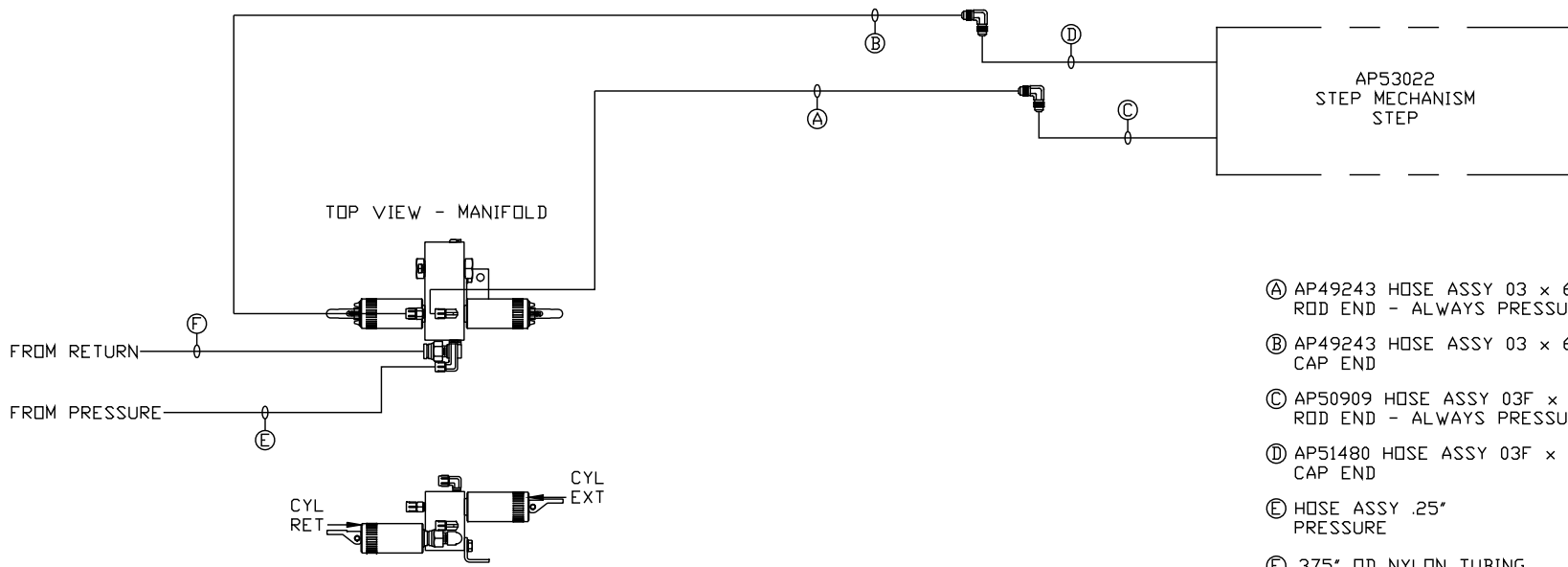
AP55700 HOSE KIT 1RM/STEP

- Ⓐ AP6116 HOSE ASSY .25" x 240" PRESSURE
- Ⓑ .375" OD NYLON TUBING RETURN
- Ⓒ AP50766 HOSE ASSY 03 x 96" ROD END - ALWAYS PRESSURIZED - MUST MAINTAIN EQUAL LENGTH AND DIAMETER
- Ⓓ AP5352 HOSE ASSY .25" x 96" CAP END - MUST MAINTAIN EQUAL LENGTH AND DIAMETER



NOTE: INSTALLATION MUST CONFORM TO GOOD SHOP PRACTICES, SAE STANDARDS, RVIA STANDARDS, AND OTHER APPLICABLE STANDARDS.

MP70955 B/C  
08DEC15



TOP VIEW - MANIFOLD

SIDE VIEW MANIFOLD-AP53283  
CYL RET      CYL EXT

LOCATION AND ORIENTATION OF  
PUMP/MANIFOLD ASSEMBLY WILL  
DIFFER DEPENDING UPON O.E.M.

- Ⓐ AP49243 HOSE ASSY 03 x 60"  
ROD END - ALWAYS PRESSURIZED
- Ⓑ AP49243 HOSE ASSY 03 x 60"  
CAP END
- Ⓒ AP50909 HOSE ASSY 03F x 72"  
ROD END - ALWAYS PRESSURIZED
- Ⓓ AP51480 HOSE ASSY 03F x 66"  
CAP END
- Ⓔ HOSE ASSY .25"  
PRESSURE
- Ⓕ .375" OD NYLON TUBING  
RETURN

NOTE: INSTALLATION MUST CONFORM TO GOOD SHOP PRACTICES, SAE  
STANDARDS, RVIA STANDARDS, AND OTHER APPLICABLE STANDARDS.

MP70955 C/C  
08DEC15