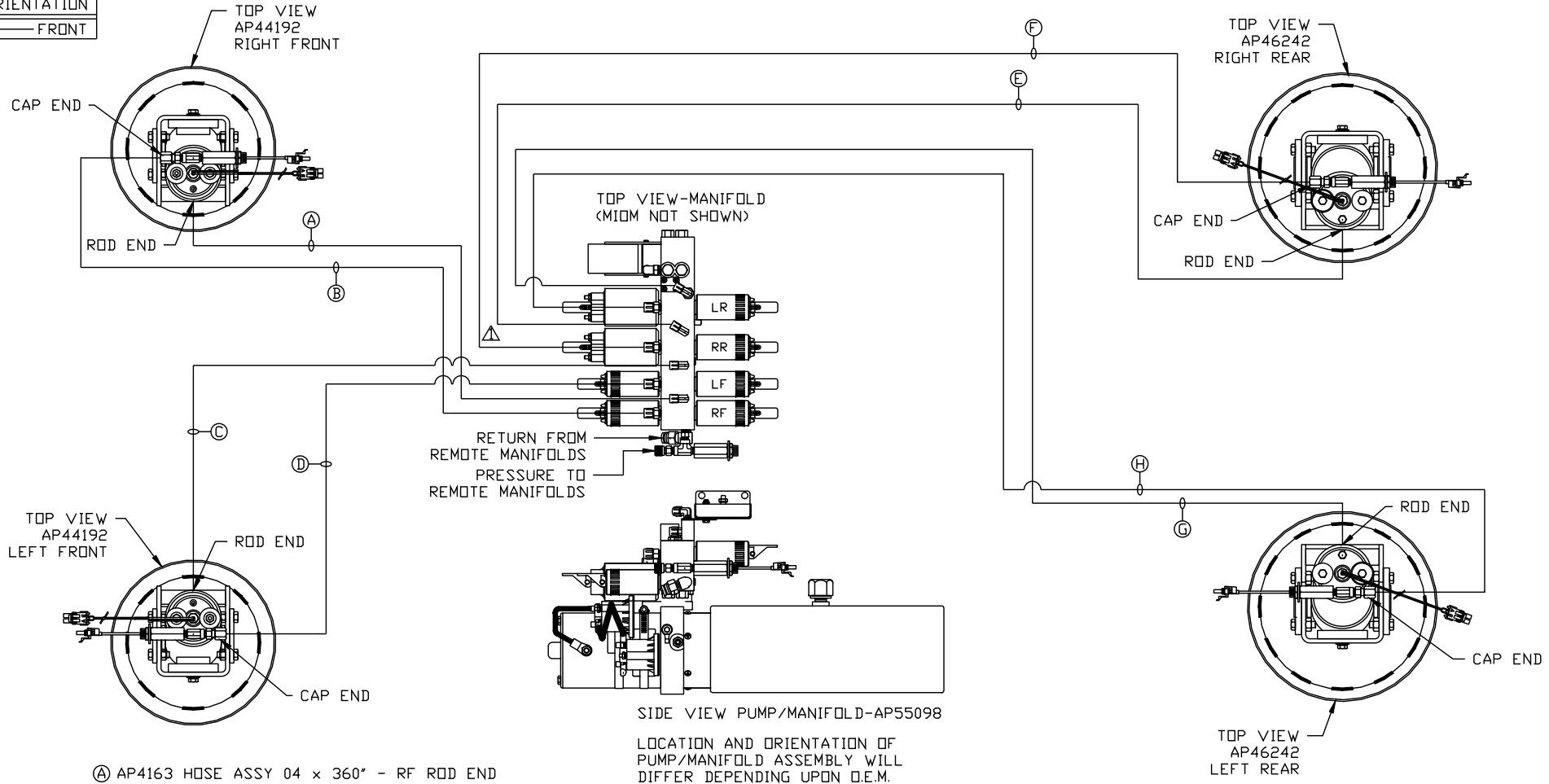


ORIENTATION
← FRONT



- Ⓐ AP4163 HOSE ASSY 04 x 360" - RF ROD END
- Ⓑ AP54015 HOSE ASSY 05 x 336" - RF CAP END
- Ⓒ AP4163 HOSE ASSY 04 x 360" - LF ROD END
- Ⓓ AP54015 HOSE ASSY 05 x 336" - LF CAP END
- Ⓔ AP53965 HOSE ASSY 04 x 138" - RR ROD END
- Ⓕ AP7818 HOSE ASSY 05 x 120" - RR CAP END
- Ⓖ AP10566 HOSE ASSY 04 x 102" - LR ROD END
- Ⓗ AP42051 HOSE ASSY 05 x 84" - LR CAP END

NOTE: INSTALLATION MUST CONFORM TO GOOD SHOP PRACTICES, SAE STANDARDS, RVIA STANDARDS, AND OTHER APPLICABLE STANDARDS.

LEVELING SYSTEM: AP55925

△	16FEB16	CORRECTED ROD/CAP
NO.	DATE	REVISION
THE INFORMATION DISCLOSED ON THIS DRAWING IS CONFIDENTIAL AND MUST NOT BE DISCLOSED OR USED IN ANY MANNER WHICH WILL BE DETRIMENTAL TO THE HWH CORPORATION		

HWH I-80 EXIT 267 SOUTH
RT 1 MOSCOW, IOWA 52760

SCALE 1:6 DATE 10DEC15 DRAWN BY .

HYD CONN DIAGRAM

FARBER

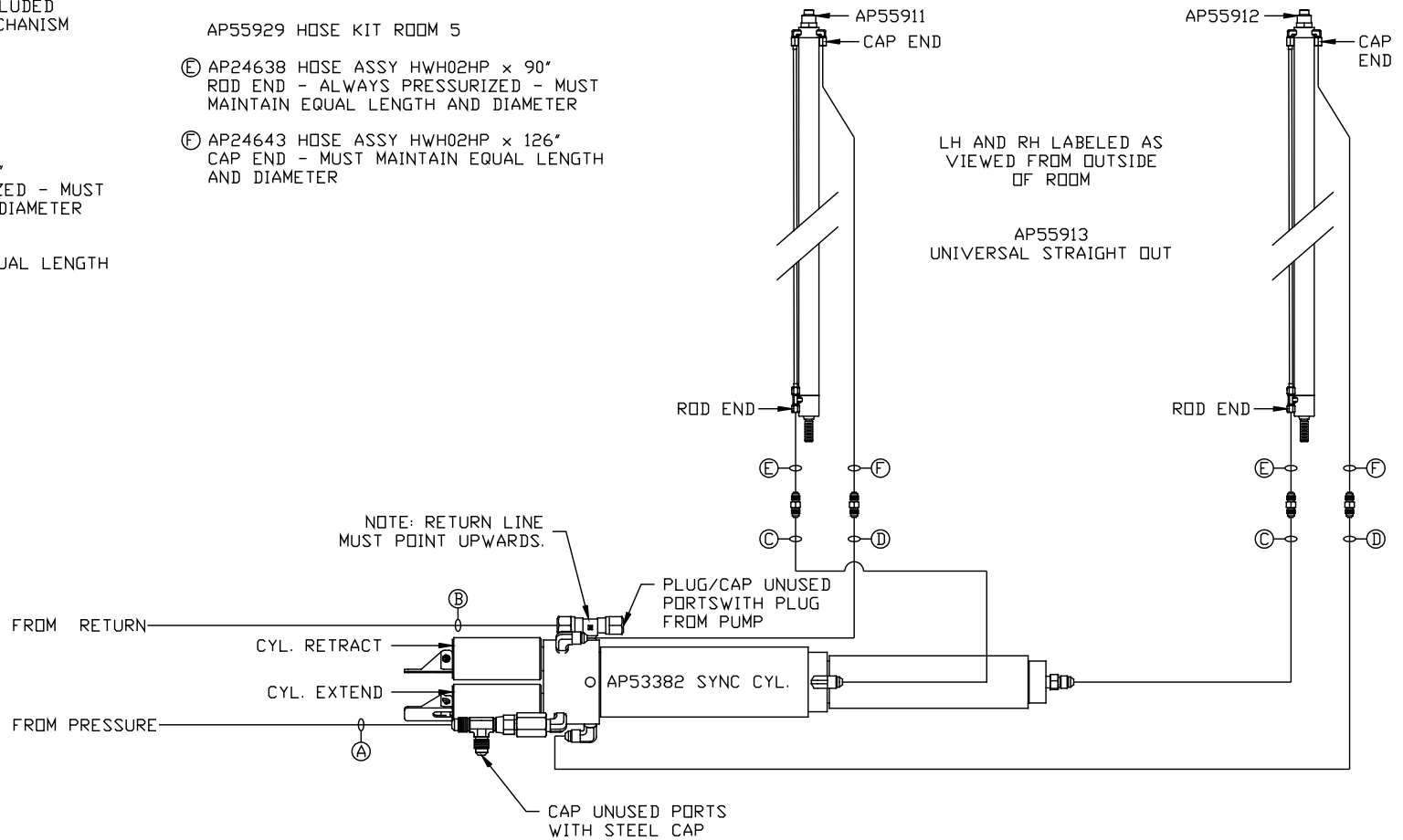
DRAWING NUMBER
MP70962 A/B

NOTE: HOSES (E) AND (F) ARE INCLUDED WITH THE ROOM EXTENSION MECHANISM

- (A) AP4073 HOSE ASSY 04 x 60" PRESSURE
- (B) .375" TUBING RETURN
- (C) AP49244 HOSE ASSY 03 x 108" ROD END - ALWAYS PRESSURIZED - MUST MAINTAIN EQUAL LENGTH AND DIAMETER
- (D) AP50909 HOSE ASSY 03 x 72" CAP END - MUST MAINTAIN EQUAL LENGTH AND DIAMETER

AP55929 HOSE KIT ROOM 5

- (E) AP24638 HOSE ASSY HWH02HP x 90" ROD END - ALWAYS PRESSURIZED - MUST MAINTAIN EQUAL LENGTH AND DIAMETER
- (F) AP24643 HOSE ASSY HWH02HP x 126" CAP END - MUST MAINTAIN EQUAL LENGTH AND DIAMETER



NOTE: INSTALLATION MUST CONFORM TO GOOD SHOP PRACTICES, SAE STANDARDS, RVIA STANDARDS, AND OTHER APPLICABLE STANDARDS.

MP70962 B/B
10DEC15