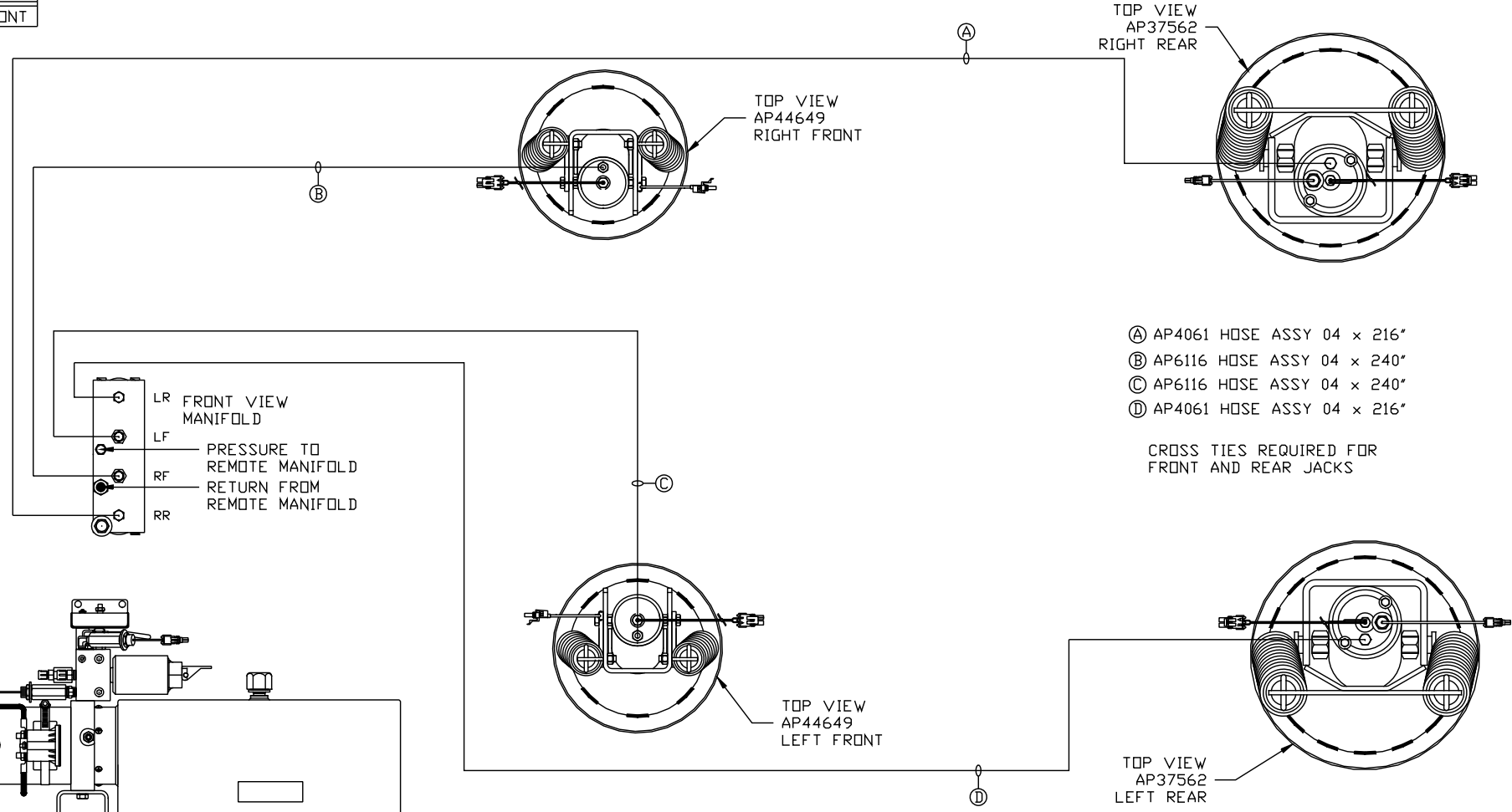
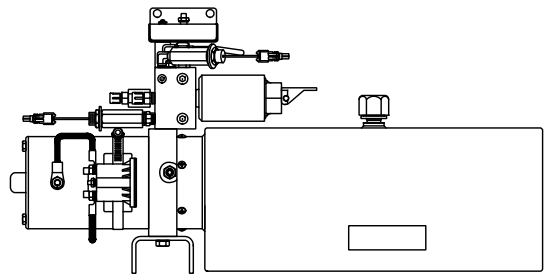


ORIENTATION  
← FRONT



- Ⓐ AP4061 HOSE ASSY 04 x 216"
- Ⓑ AP6116 HOSE ASSY 04 x 240"
- Ⓒ AP6116 HOSE ASSY 04 x 240"
- Ⓓ AP4061 HOSE ASSY 04 x 216"

CROSS TIES REQUIRED FOR FRONT AND REAR JACKS



SIDE VIEW PUMP/MANIFOLD-AP53196

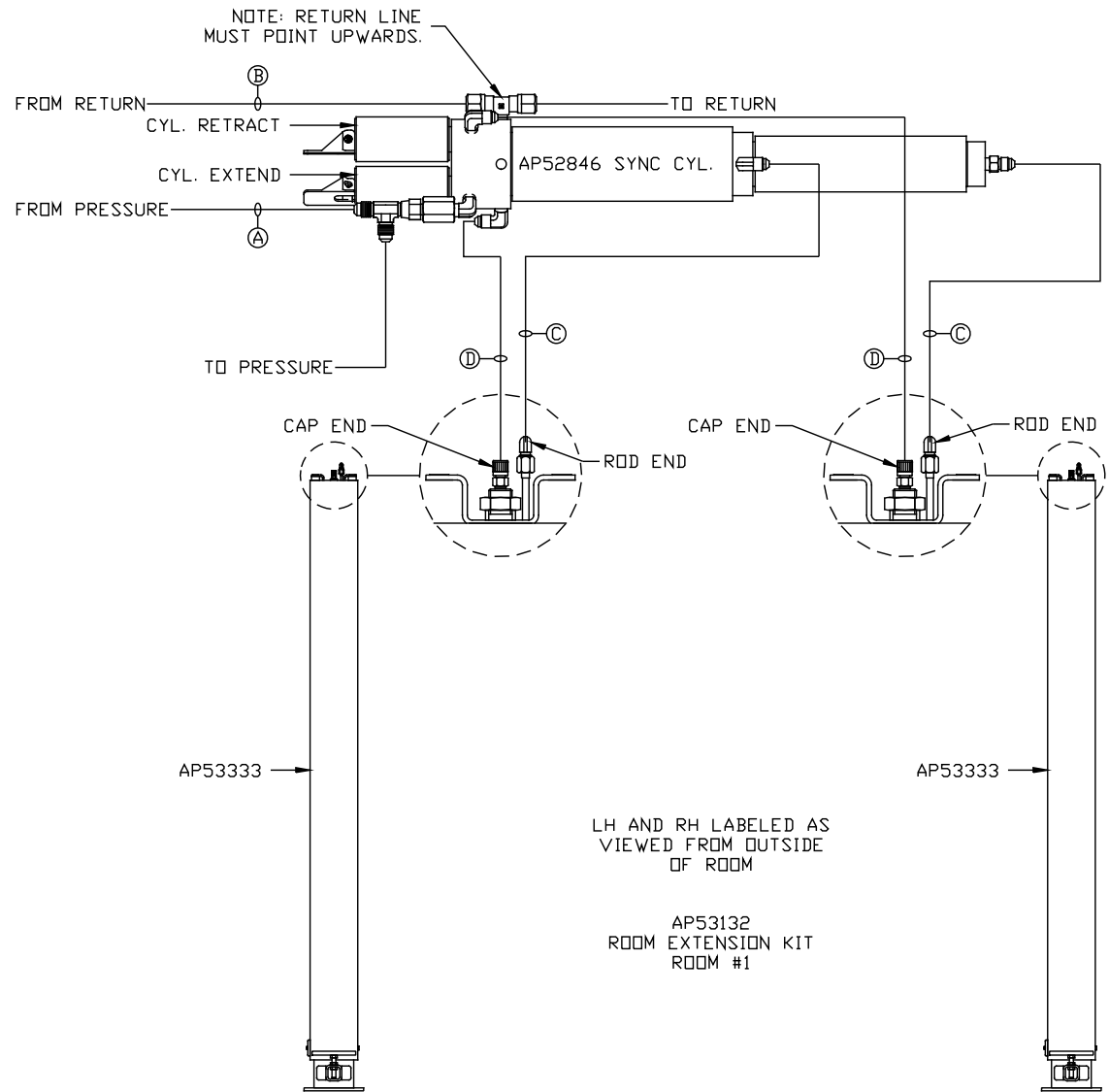
LOCATION AND ORIENTATION OF PUMP/MANIFOLD ASSEMBLY WILL DIFFER DEPENDING UPON O.E.M.

NOTE: INSTALLATION MUST CONFORM TO GOOD SHOP PRACTICES, SAE STANDARDS, RVIA STANDARDS, AND OTHER APPLICABLE STANDARDS.

LEVELING SYSTEM: AP55971

NO.	DATE	REVISION
THE INFORMATION DISCLOSED ON THIS DRAWING IS CONFIDENTIAL AND MUST NOT BE DISCLOSED OR USED IN ANY MANNER WHICH WILL BE DETRIMENTAL TO THE HWH CORPORATION		

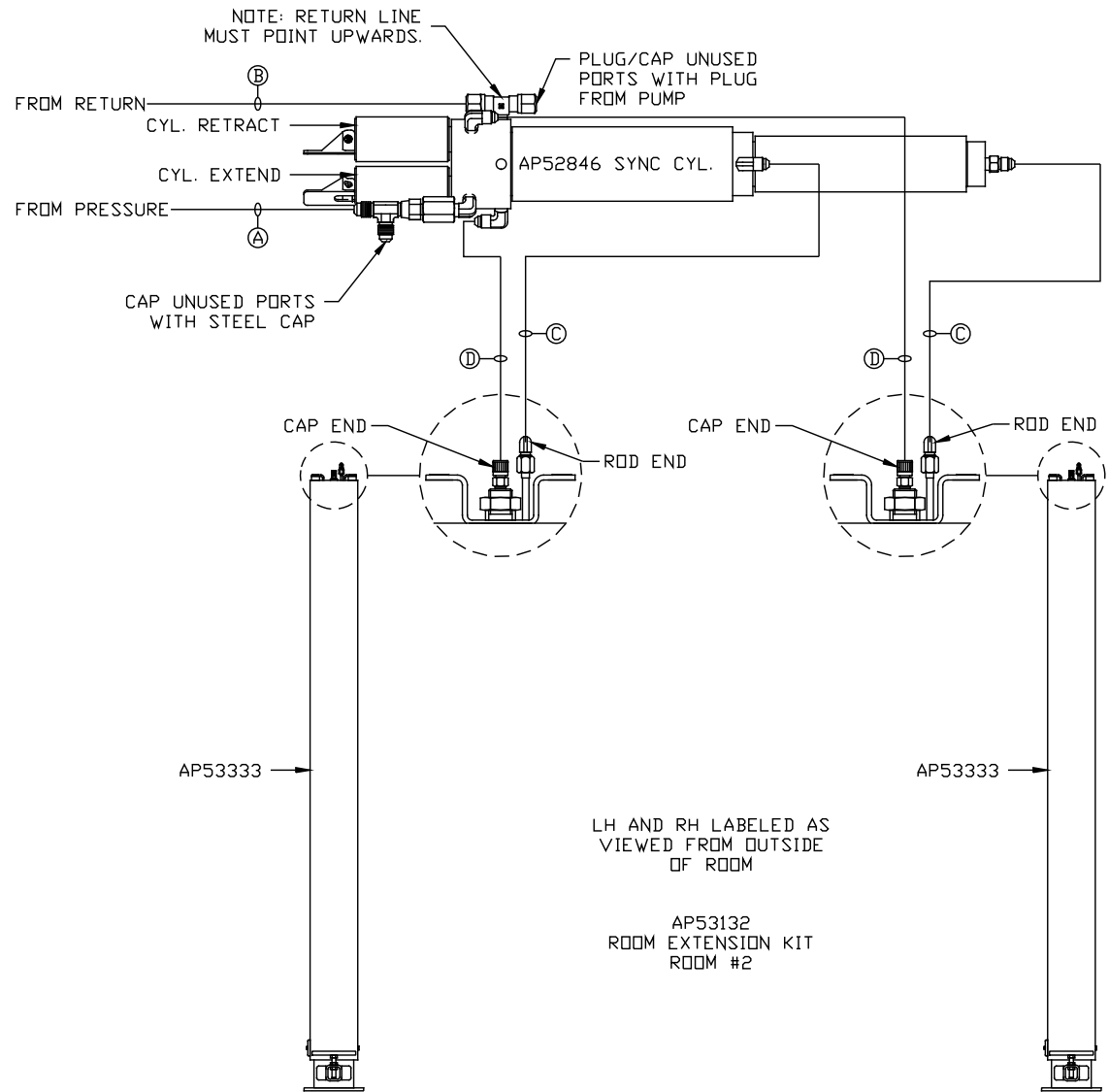
<b>HWH</b>		I-80 EXIT 267 SOUTH RT 1 MOSCOW, IOWA 52760	
SCALE 1:6	DATE 11DEC15	DRAWN BY .	
HYD CONN DIAGRAM			
MATTHEWS		DRAWING NUMBER MP70964 A/C	



- (A) HOSE ASSY 04  
PRESSURE
- (B) .375" OD NYLON TUBING  
RETURN
- (C) HOSE ASSY 03  
ROD END - ALWAYS PRESSURIZED  
HOSES MUST MAINTAIN EQUAL  
LENGTH AND DIAMETER
- (D) HOSE ASSY 04  
CAP END - HOSES MUST MAINTAIN  
EQUAL LENGTH AND DIAMETER

NOTE: INSTALLATION MUST CONFORM TO GOOD SHOP PRACTICES, SAE STANDARDS, RVIA STANDARDS, AND OTHER APPLICABLE STANDARDS.

MP70964 B/C  
11DEC15



- Ⓐ HOSE ASSY 04  
PRESSURE
- Ⓑ .375" OD NYLON TUBING  
RETURN
- Ⓒ HOSE ASSY 03  
ROD END - ALWAYS PRESSURIZED  
HOSES MUST MAINTAIN EQUAL  
LENGTH AND DIAMETER
- Ⓓ HOSE ASSY 04  
CAP END - HOSES MUST MAINTAIN  
EQUAL LENGTH AND DIAMETER

NOTE: INSTALLATION MUST CONFORM TO GOOD SHOP PRACTICES, SAE STANDARDS, RVIA STANDARDS, AND OTHER APPLICABLE STANDARDS.

MP70964 C/C  
11DEC15