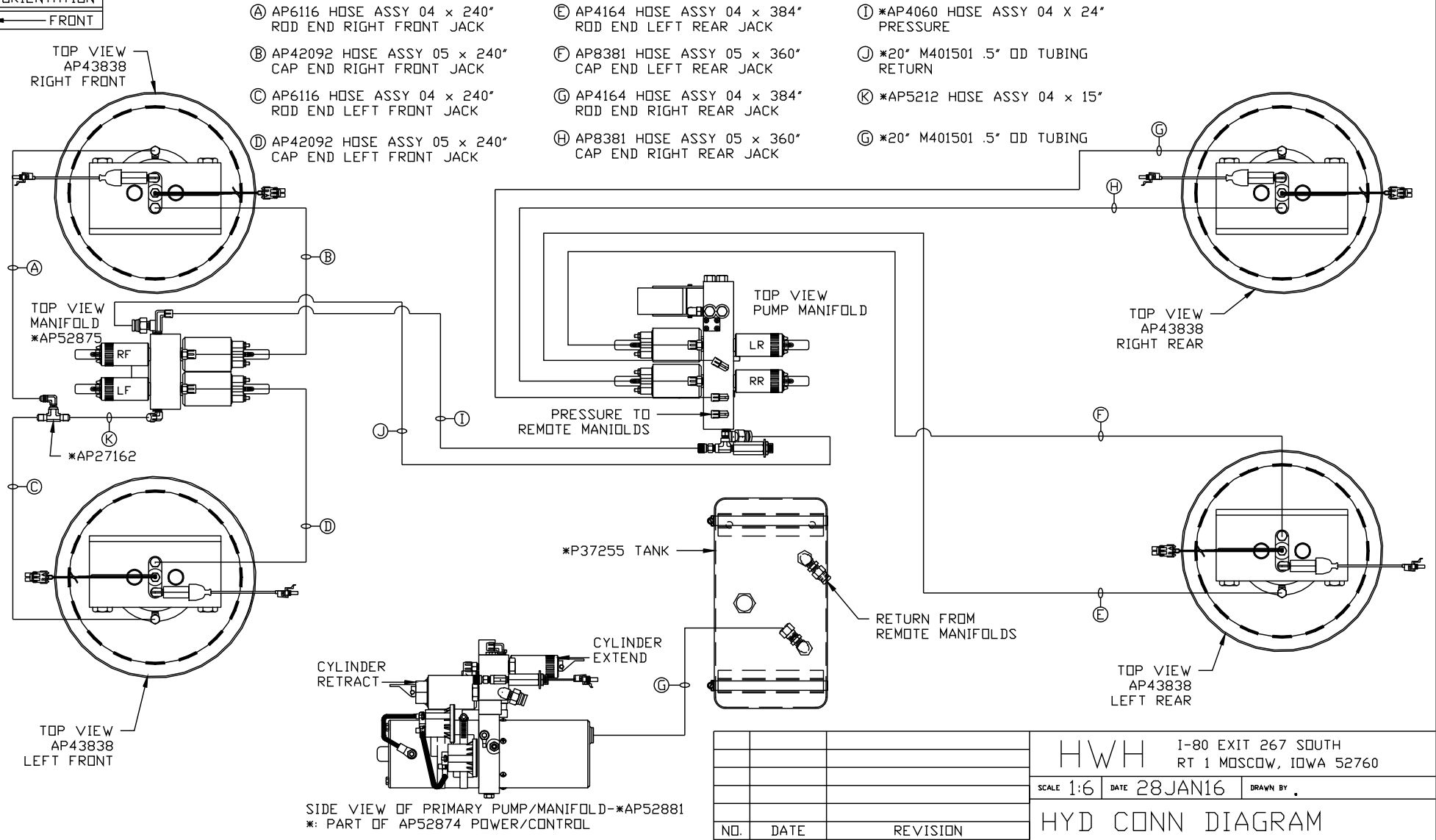


ORIENTATION
← FRONT



NOTE: INSTALLATION MUST CONFORM TO GOOD SHOP PRACTICES, SAE STANDARDS, RVIA STANDARDS, AND OTHER APPLICABLE STANDARDS.

LEVELING SYSTEM: AP56270

NO.	DATE	REVISION

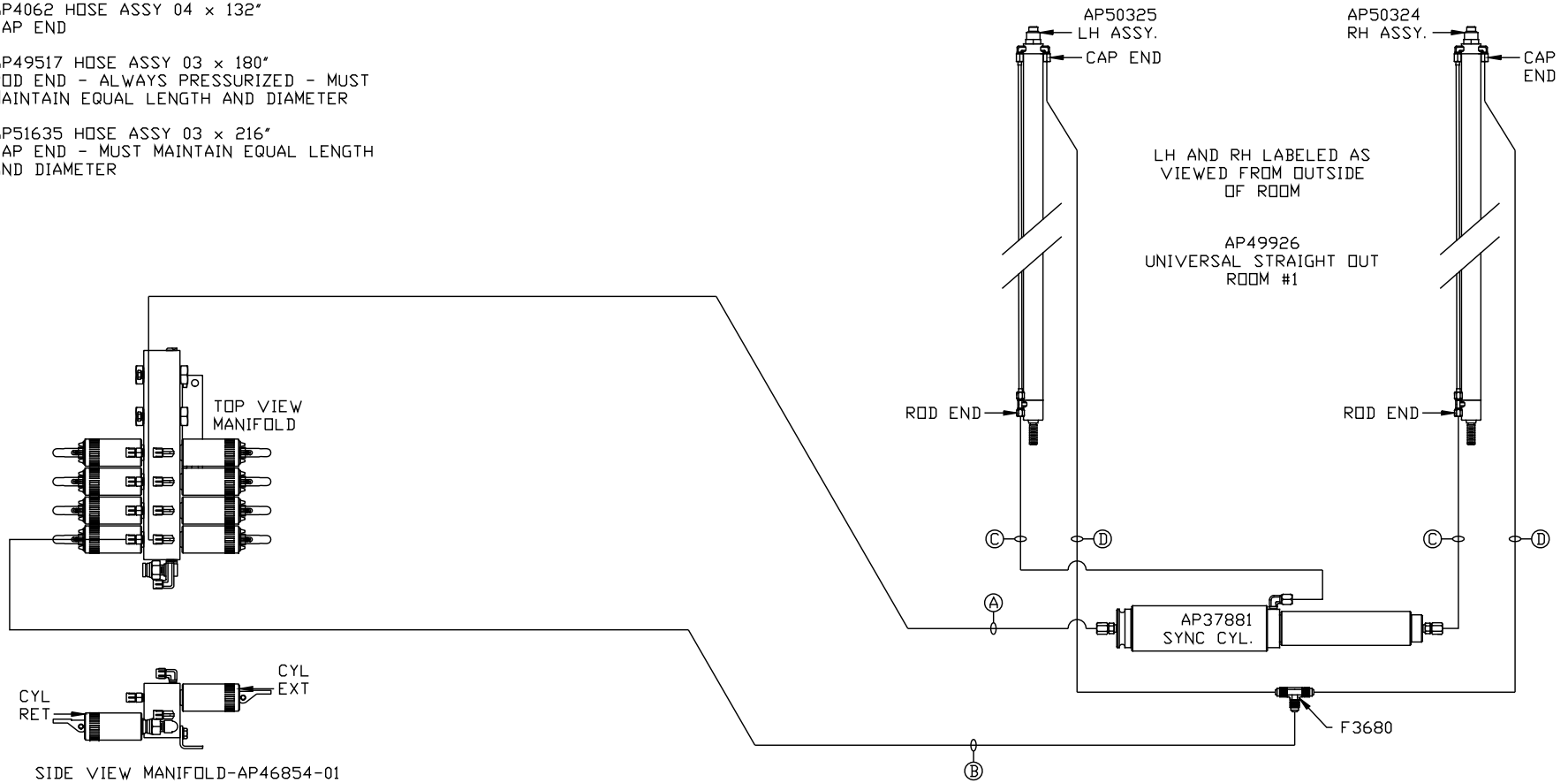
THE INFORMATION DISCLOSED ON THIS DRAWING IS CONFIDENTIAL AND MUST NOT BE DISCLOSED OR USED IN ANY MANNER WHICH WILL BE DETRIMENTAL TO THE HWH CORPORATION

HWH			I-80 EXIT 267 SOUTH RT 1 MOSCOW, IOWA 52760	
SCALE 1:6	DATE 28JAN16	DRAWN BY .		
HYD CONN DIAGRAM				
KIBBI			DRAWING NUMBER MP70976 A/F	

AP50208 HOSE KIT ROOM 1

- Ⓐ AP4161 HOSE ASSY 04 x 120"
ROD END - ALWAYS PRESSURIZED
- Ⓑ AP4062 HOSE ASSY 04 x 132"
CAP END
- Ⓒ AP49517 HOSE ASSY 03 x 180"
ROD END - ALWAYS PRESSURIZED - MUST
MAINTAIN EQUAL LENGTH AND DIAMETER
- Ⓓ AP51635 HOSE ASSY 03 x 216"
CAP END - MUST MAINTAIN EQUAL LENGTH
AND DIAMETER

NOTE: HOSES Ⓒ AND Ⓓ SHIP LOOSE.



SIDE VIEW MANIFOLD-AP46854-01
LOCATION AND ORIENTATION OF
MANIFOLD ASSEMBLY WILL
DIFFER DEPENDING UPON O.E.M.

NOTE: INSTALLATION MUST CONFORM TO GOOD SHOP PRACTICES, SAE
STANDARDS, RVIA STANDARDS, AND OTHER APPLICABLE STANDARDS.

MP70976 B/F
28JAN16

AP50209 HOSE KIT ROOM 2

Ⓐ AP52740 HOSE ASSY 03 X 480"
ROD END - ALWAYS PRESSURIZED

Ⓑ AP6218 HOSE ASSY 04 X 480"
CAP END

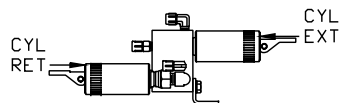
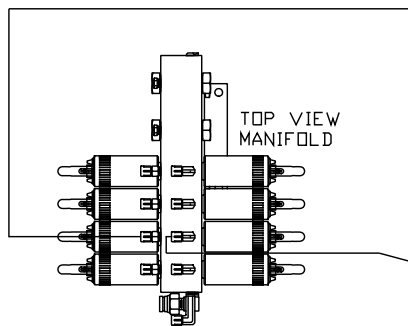
NOTE: HOSES Ⓒ AND Ⓓ ARE INCLUDED
WITH THE ROOM EXTENSION MECHANISM.

Ⓒ AP24628 HOSE ASSY HWH02HP x 24.25"
ROD END - ALWAYS PRESSURIZED

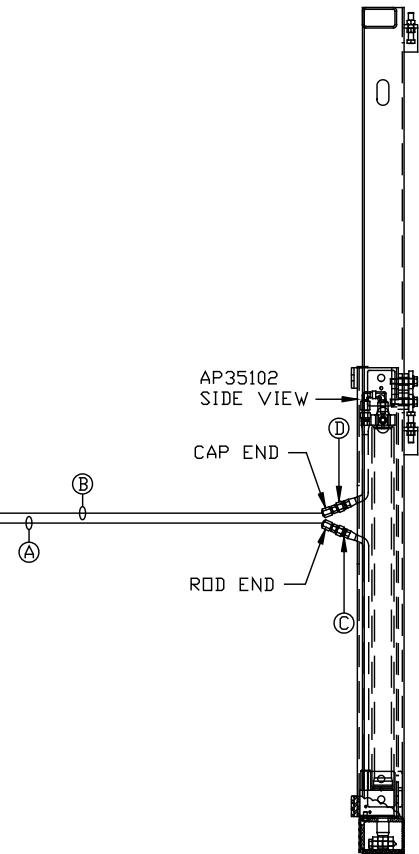
Ⓓ AP24632 HOSE ASSY HWH02HP x 48"
CAP END

NOTE: HOSES Ⓐ AND Ⓑ NEED TO BE PLUGGED.

ROOM #2
AP47905
BED SLIDE KIT



SIDE VIEW MANIFOLD-AP46854-01
LOCATION AND ORIENTATION OF
MANIFOLD ASSEMBLY WILL
DIFFER DEPENDING UPON O.E.M.



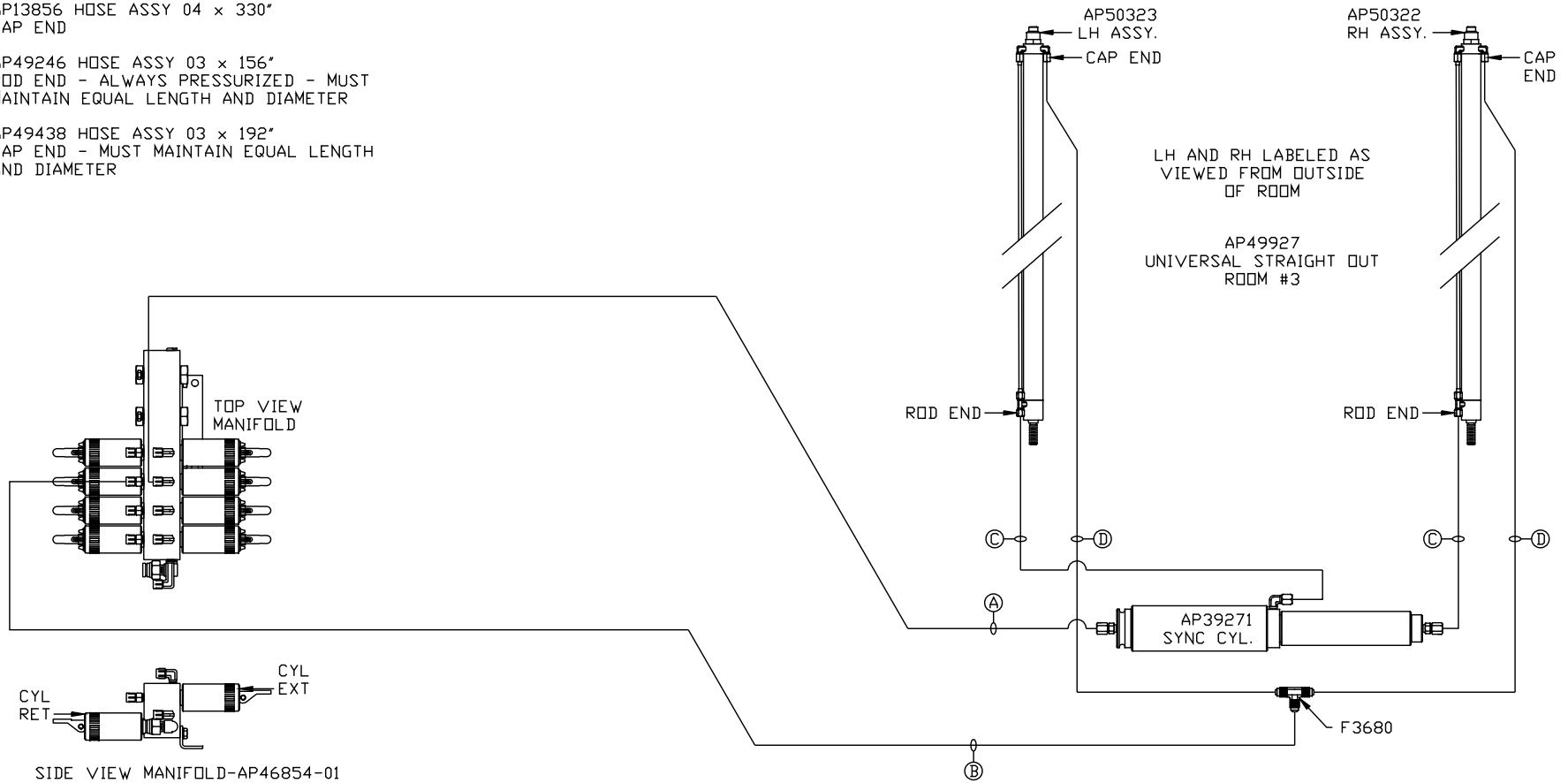
NOTE: INSTALLATION MUST CONFORM TO GOOD SHOP PRACTICES, SAE
STANDARDS, RVIA STANDARDS, AND OTHER APPLICABLE STANDARDS.

MP70976 C/F
28JAN16

AP50210 HOSE KIT ROOM 3

- Ⓐ AP5561 HOSE ASSY 04 x 336"
ROD END - ALWAYS PRESSURIZED
- Ⓑ AP13856 HOSE ASSY 04 x 330"
CAP END
- Ⓒ AP49246 HOSE ASSY 03 x 156"
ROD END - ALWAYS PRESSURIZED - MUST
MAINTAIN EQUAL LENGTH AND DIAMETER
- Ⓓ AP49438 HOSE ASSY 03 x 192"
CAP END - MUST MAINTAIN EQUAL LENGTH
AND DIAMETER

NOTE: HOSES Ⓒ AND Ⓓ SHIP LOOSE.



SIDE VIEW MANIFOLD-AP46854-01
LOCATION AND ORIENTATION OF
MANIFOLD ASSEMBLY WILL
DIFFER DEPENDING UPON O.E.M.

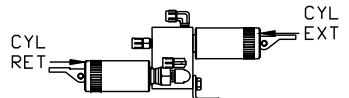
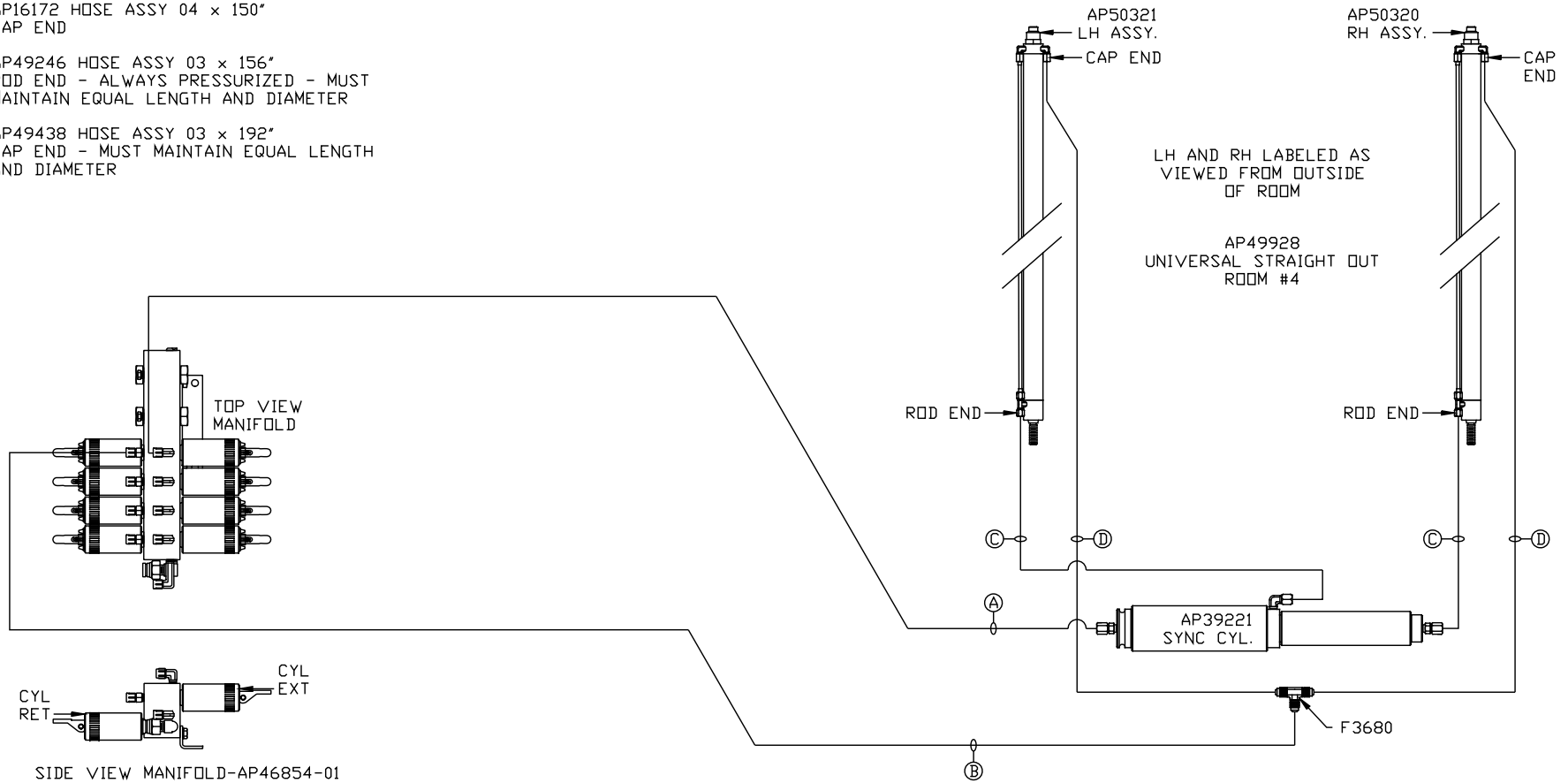
NOTE: INSTALLATION MUST CONFORM TO GOOD SHOP PRACTICES, SAE
STANDARDS, RVIA STANDARDS, AND OTHER APPLICABLE STANDARDS.

MP70976 D/F
28JAN16

AP50211 HOSE KIT ROOM 4

- Ⓐ AP4827 HOSE ASSY 04 × 144"
ROD END - ALWAYS PRESSURIZED
- Ⓑ AP16172 HOSE ASSY 04 × 150"
CAP END
- Ⓒ AP49246 HOSE ASSY 03 × 156"
ROD END - ALWAYS PRESSURIZED - MUST
MAINTAIN EQUAL LENGTH AND DIAMETER
- Ⓓ AP49438 HOSE ASSY 03 × 192"
CAP END - MUST MAINTAIN EQUAL LENGTH
AND DIAMETER

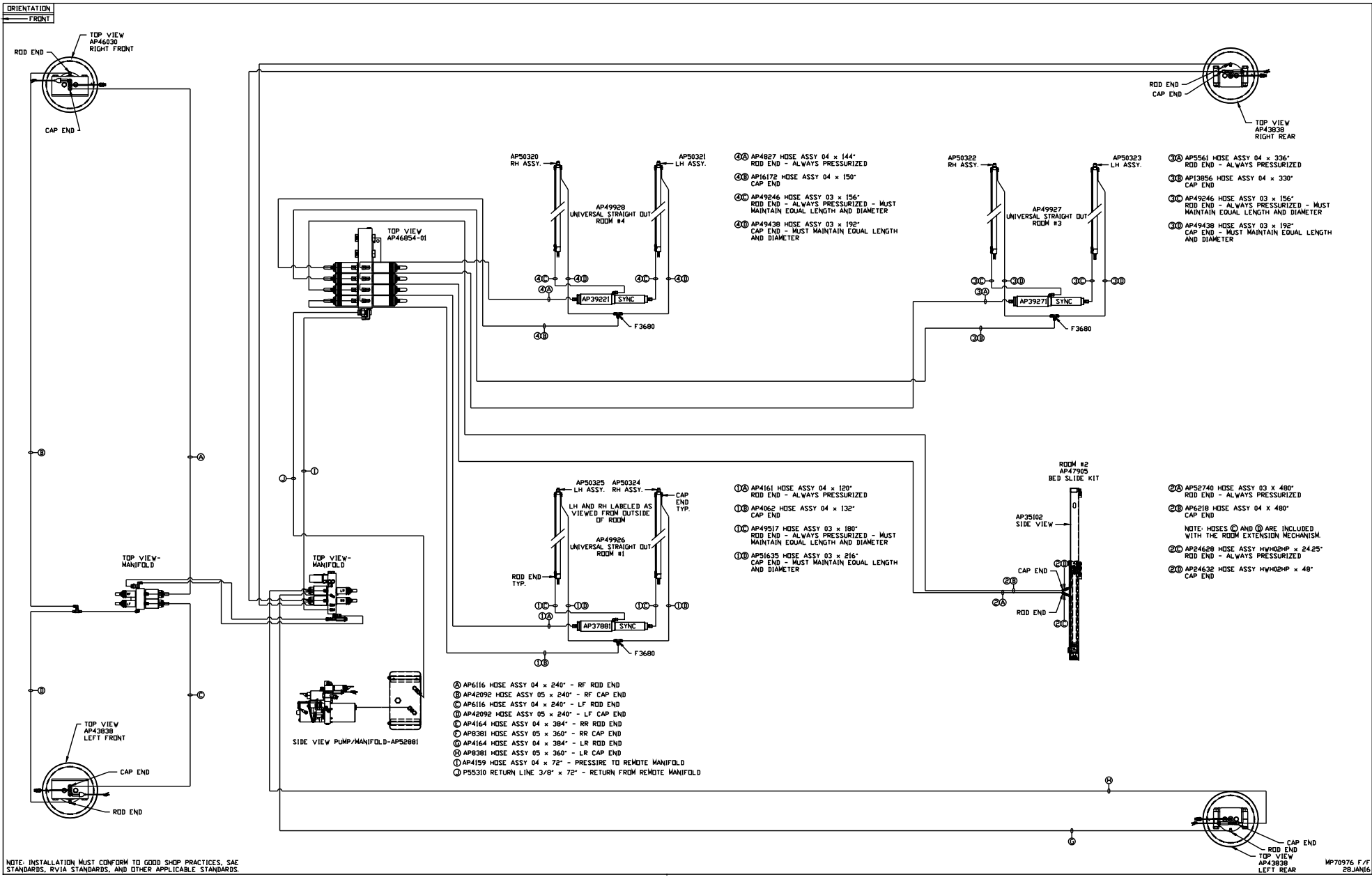
NOTE: HOSES Ⓒ AND Ⓓ SHIP LOOSE.



SIDE VIEW MANIFOLD-AP46854-01
LOCATION AND ORIENTATION OF
MANIFOLD ASSEMBLY WILL
DIFFER DEPENDING UPON O.E.M.

NOTE: INSTALLATION MUST CONFORM TO GOOD SHOP PRACTICES, SAE STANDARDS, RVIA STANDARDS, AND OTHER APPLICABLE STANDARDS.

MP70976 E/F
28JAN16



NOTE: INSTALLATION MUST CONFORM TO GOOD SHOP PRACTICES, SAE STANDARDS, RVIA STANDARDS, AND OTHER APPLICABLE STANDARDS.