

NOTE: INSTALLATION MUST CONFORM TO GOOD SHOP PRACTICES, SAE STANDARDS, RVIA STANDARDS, AND OTHER APPLICABLE STANDARDS.

LEVELING SYSTEM: AP56479

NO.	DATE	REVISION
1	02JUN16	UPDATED HOSES
1	16FEB17	SWAPPED F&R VALVES
1	16MAR21	ADDED F6006 CALLOUT

THE INFORMATION DISCLOSED ON THIS DRAWING IS CONFIDENTIAL AND MUST NOT BE DISCLOSED OR USED IN ANY MANNER WHICH WILL BE DETRIMENTAL TO THE HWH CORPORATION

HWH I-80 EXIT 267 SOUTH
RT 1 MOSCOW, IOWA 52760

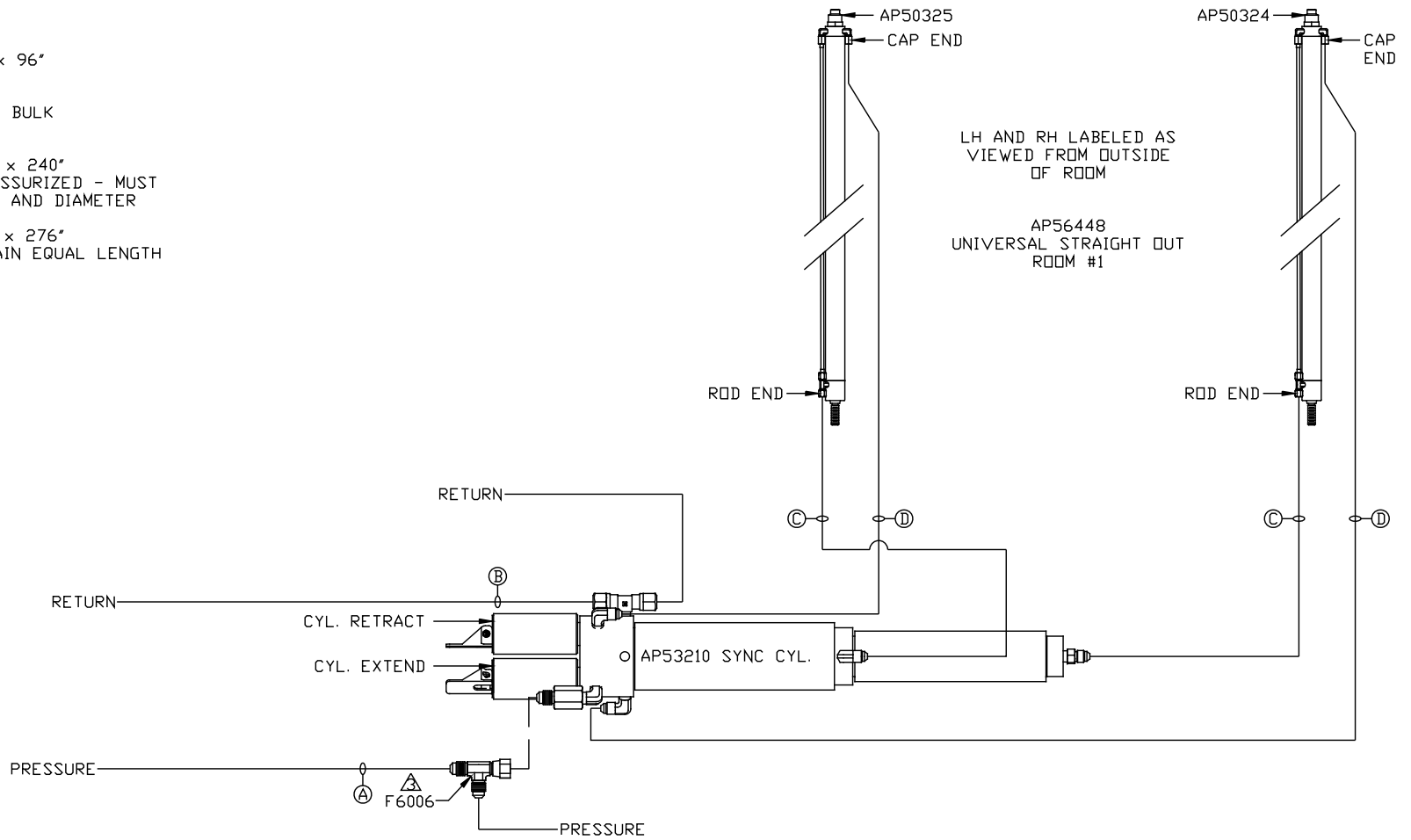
SCALE 1:6 DATE 16MAY16 DRAWN BY .

HYD CONN DIAGRAM

RENEGADE/KIBBI

DRAWING NUMBER
MP70999 A/F

- Ⓐ AP5352 HOSE ASSY 04 × 96"
PRESSURE
- Ⓑ .375" ID RETURN LINE - BULK
RETURN
- Ⓒ AP49247 HOSE ASSY 03 × 240"
ROD END - ALWAYS PRESSURIZED - MUST
MAINTAIN EQUAL LENGTH AND DIAMETER
- Ⓓ AP53067 HOSE ASSY 03 × 276"
CAP END - MUST MAINTAIN EQUAL LENGTH
AND DIAMETER



NOTE: INSTALLATION MUST CONFORM TO GOOD SHOP PRACTICES, SAE STANDARDS, RVIA STANDARDS, AND OTHER APPLICABLE STANDARDS.

MP70999 B/F
16MAR21

NOTE: HOSES (E) AND (F) ARE INCLUDED WITH THE ROOM EXTENSION MECHANISM

(A) AP4063 HOSE ASSY 04 x 288" PRESSURE

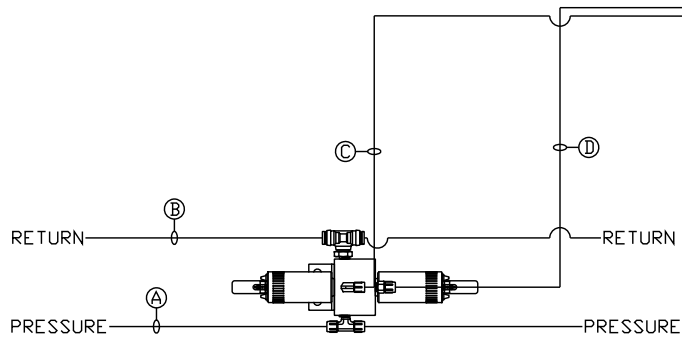
(B) .375" ID RETURN LINE - BULK RETURN

(C) AP50261 HOSE ASSY 03 X 168" ROD END - ALWAYS PRESSURIZED

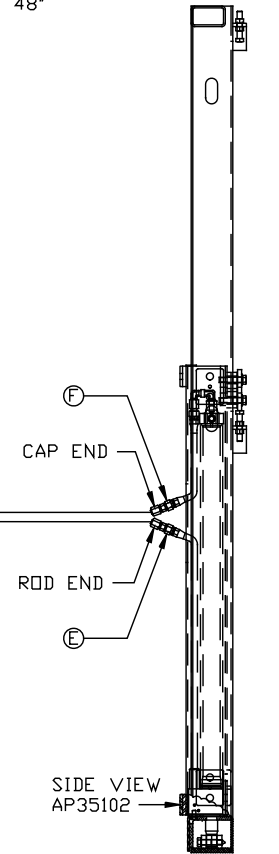
(D) AP50261 HOSE ASSY 03 X 168" CAP END

(E) AP24628 HOSE ASSY HWH02HP x 24.25" ROD END - ALWAYS PRESSURIZED

(F) AP24632 HOSE ASSY HWH02HP x 48" CAP END



TOP VIEW MANIFOLD-AP53341

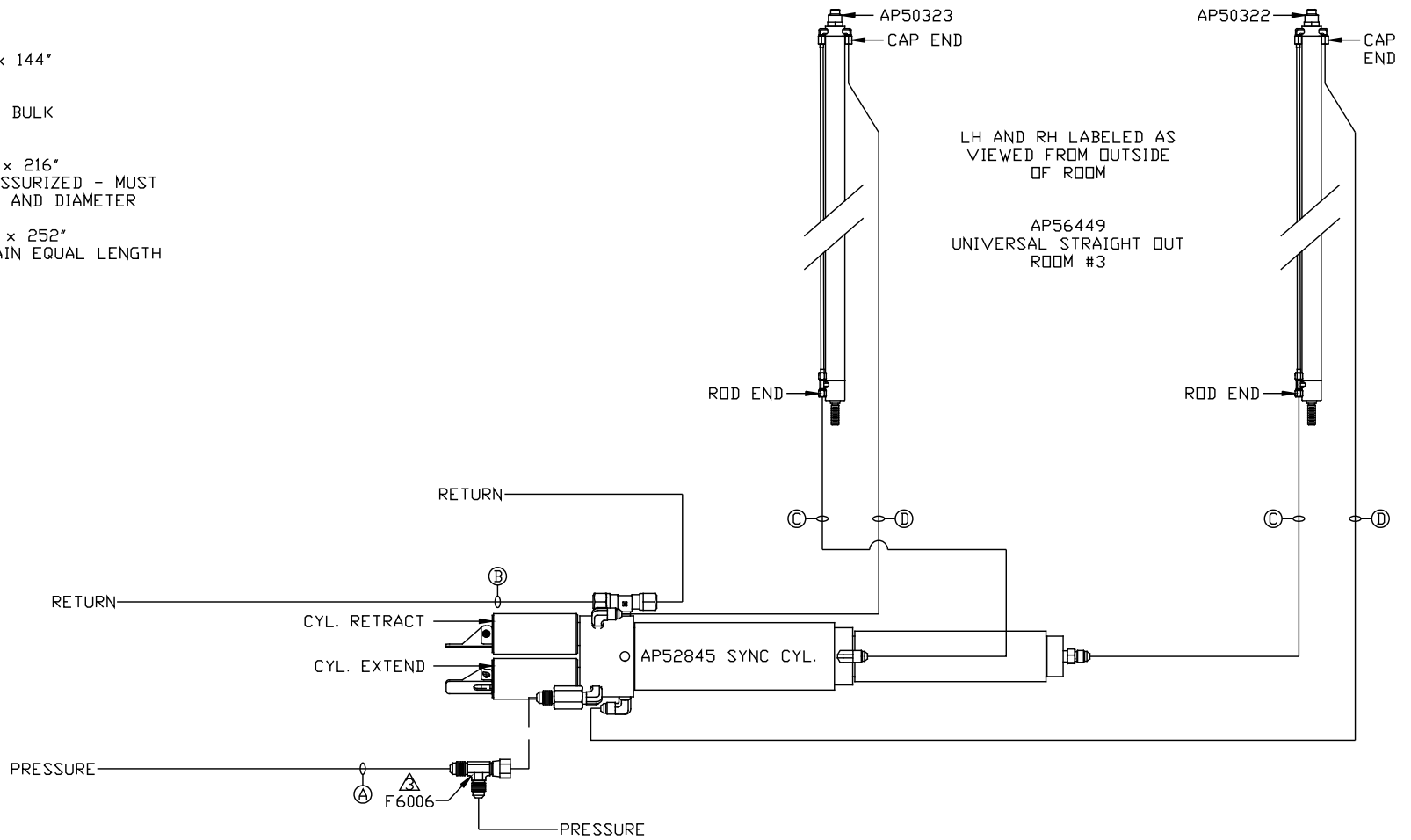


ROOM #2
AP47905
BED SLIDE KIT

NOTE: INSTALLATION MUST CONFORM TO GOOD SHOP PRACTICES, SAE STANDARDS, RVIA STANDARDS, AND OTHER APPLICABLE STANDARDS.

MP70999 C/F
02JUN16

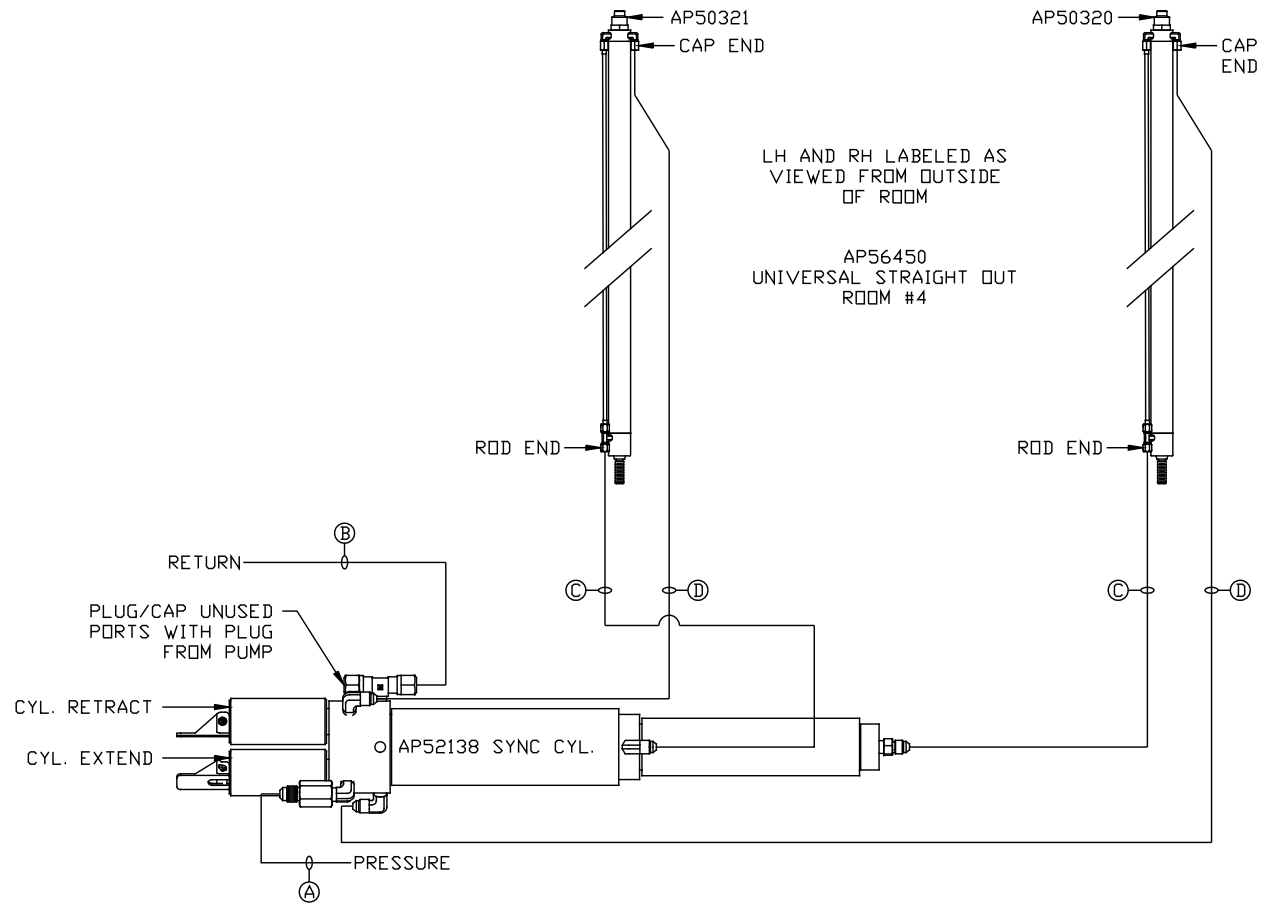
- Ⓐ AP4827 HOSE ASSY 04 x 144" PRESSURE
- Ⓑ .375" ID RETURN LINE - BULK RETURN
- Ⓒ AP51635 HOSE ASSY 03 x 216" ROD END - ALWAYS PRESSURIZED - MUST MAINTAIN EQUAL LENGTH AND DIAMETER
- Ⓓ AP53977 HOSE ASSY 03 x 252" CAP END - MUST MAINTAIN EQUAL LENGTH AND DIAMETER



NOTE: INSTALLATION MUST CONFORM TO GOOD SHOP PRACTICES, SAE STANDARDS, RVIA STANDARDS, AND OTHER APPLICABLE STANDARDS.

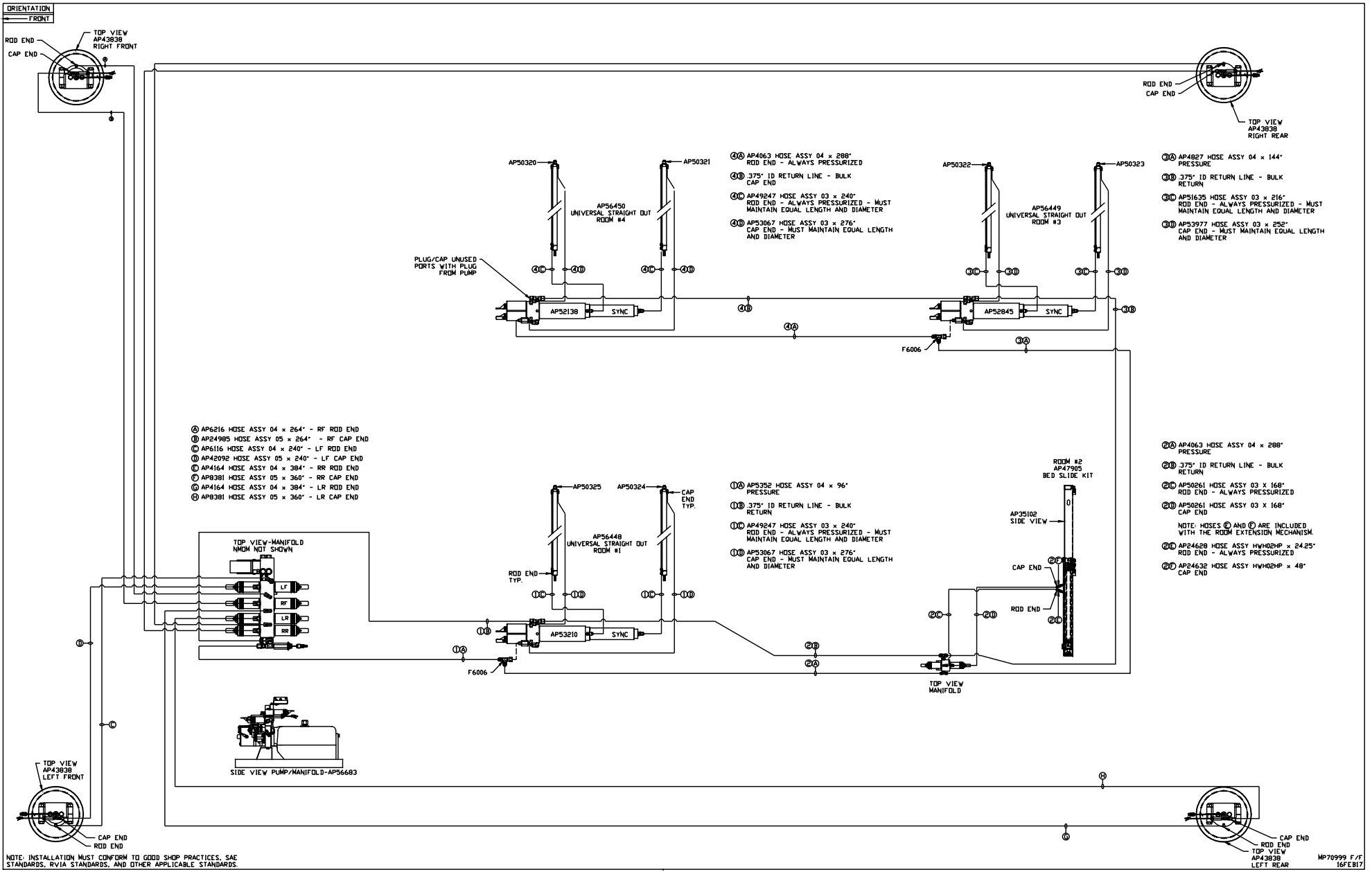
MP70999 D/F
16MAR21

- Ⓐ AP4063 HOSE ASSY 04 x 288"
PRESSURE
- Ⓑ .375" ID RETURN LINE - BULK
RETURN
- Ⓒ AP49247 HOSE ASSY 03 x 240"
ROD END - ALWAYS PRESSURIZED - MUST
MAINTAIN EQUAL LENGTH AND DIAMETER
- Ⓓ AP53067 HOSE ASSY 03 x 276"
CAP END - MUST MAINTAIN EQUAL LENGTH
AND DIAMETER



NOTE: INSTALLATION MUST CONFORM TO GOOD SHOP PRACTICES, SAE STANDARDS, RVIA STANDARDS, AND OTHER APPLICABLE STANDARDS.

MP70999 E/F
16MAR21



NOTE: INSTALLATION MUST CONFORM TO GOOD SHOP PRACTICES, SAE STANDARDS, RVIA STANDARDS, AND OTHER APPLICABLE STANDARDS.