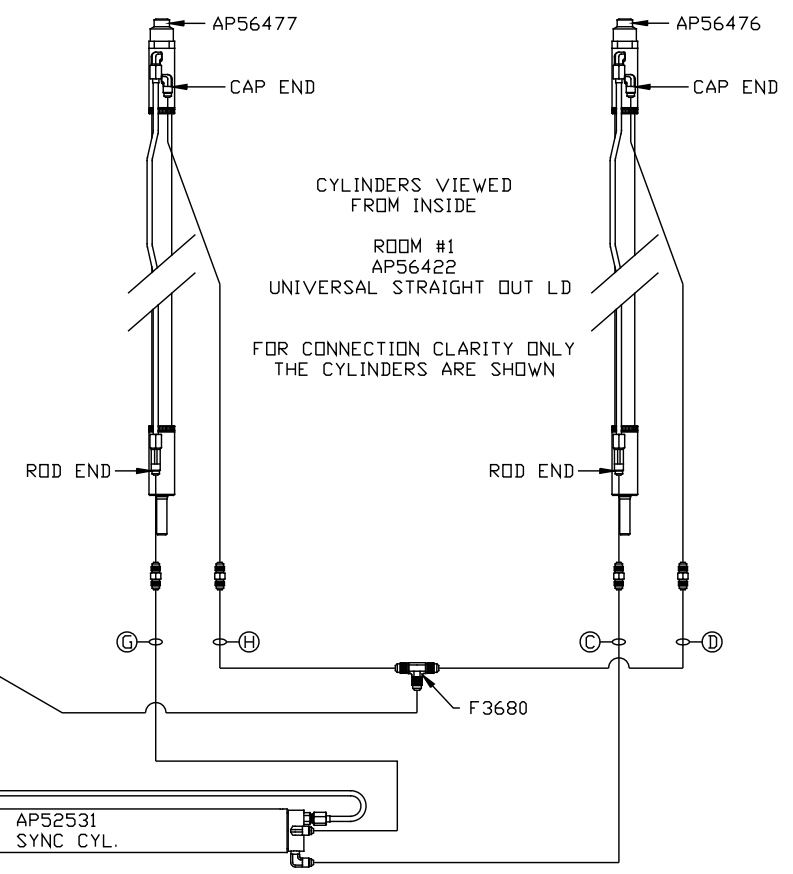
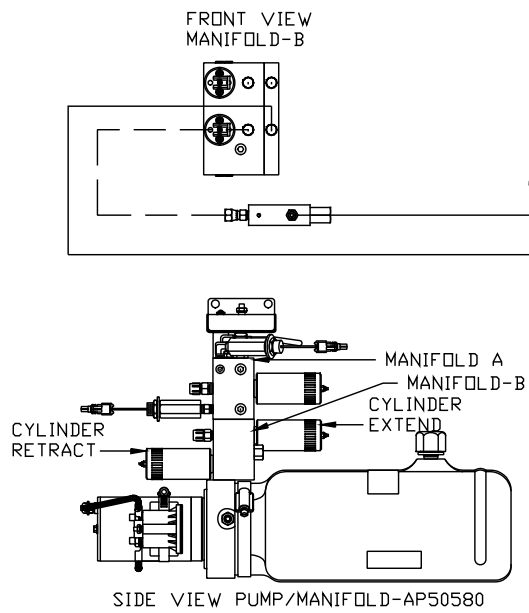


ORIENTATION
 ← FRONT

- Ⓐ AP24639 HOSE ASSY HWH02HP x 96"
ROD END - ALWAYS PRESSURIZED
- Ⓑ AP56741-01 WITH AP50910 HOSE ASSY 03 x 90"
CAP END
- Ⓒ AP24644 HOSE ASSY HWH02HP x 132"
ROD END - ALWAYS PRESSURIZED
- Ⓓ AP49439 HOSE ASSY 03 x 132"
CAP END

- Ⓒ AP24644 HOSE ASSY HWH02HP x 132"
ROD END - ALWAYS PRESSURIZED
- Ⓗ AP49439 HOSE ASSY 03 x 132"
CAP END



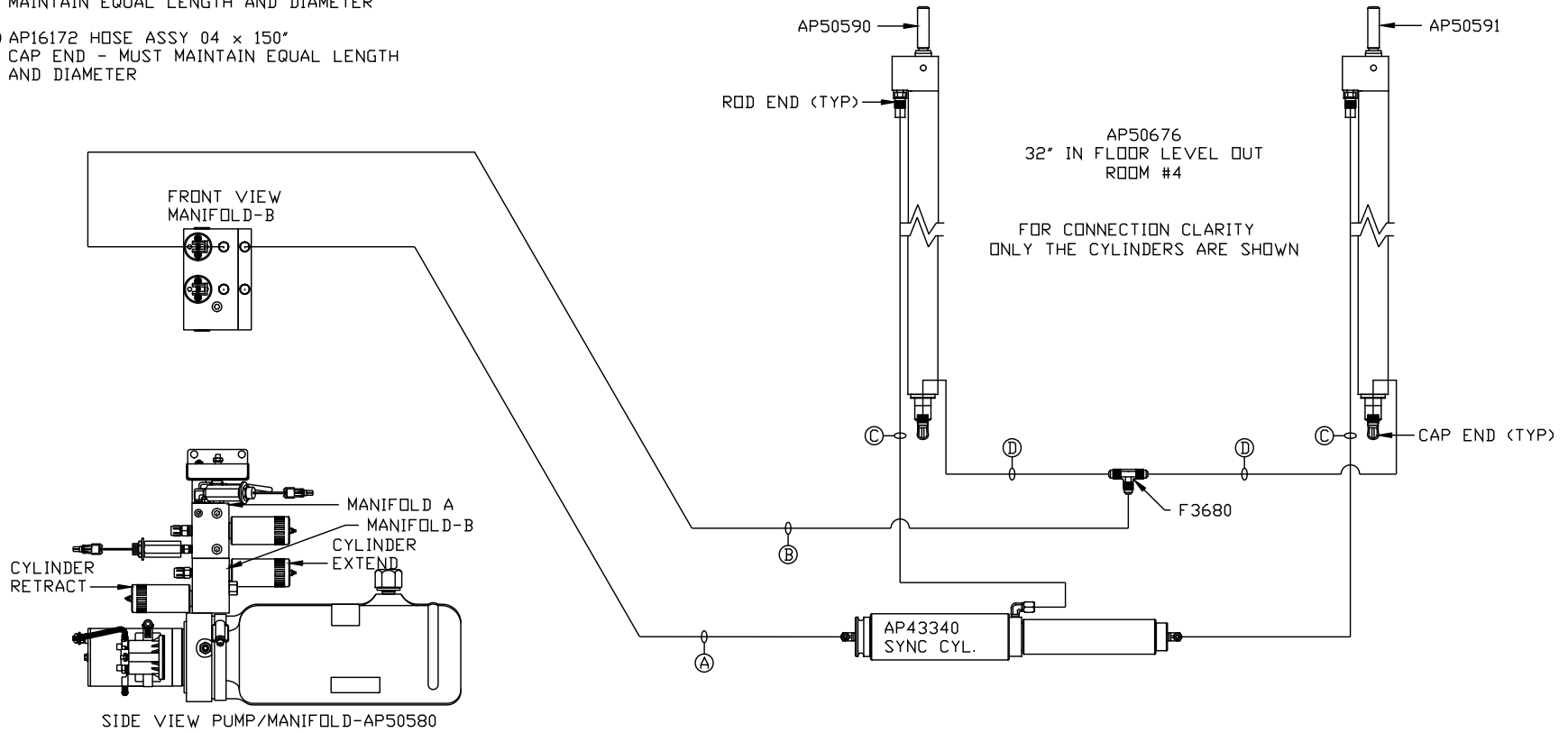
NOTE: INSTALLATION MUST CONFORM TO GOOD SHOP PRACTICES, SAE STANDARDS, RVIA STANDARDS, AND OTHER APPLICABLE STANDARDS.

MP71004 B/C
02JUN16

ORIENTATION

← FRONT

- Ⓐ AP4062 HOSE ASSY 04 x 132"
ROD END - ALWAYS PRESSURIZED
- Ⓑ AP4161 HOSE ASSY 04 x 120"
CAP END
- Ⓒ AP51404 HOSE ASSY 03 x 150"
ROD END - ALWAYS PRESSURIZED - MUST
MAINTAIN EQUAL LENGTH AND DIAMETER
- Ⓓ AP16172 HOSE ASSY 04 x 150"
CAP END - MUST MAINTAIN EQUAL LENGTH
AND DIAMETER



LOCATION AND ORIENTATION OF
PUMP/MANIFOLD ASSEMBLY WILL
DIFFER DEPENDING UPON O.E.M.

NOTE: INSTALLATION MUST CONFORM TO GOOD SHOP PRACTICES, SAE
STANDARDS, RVIA STANDARDS, AND OTHER APPLICABLE STANDARDS.