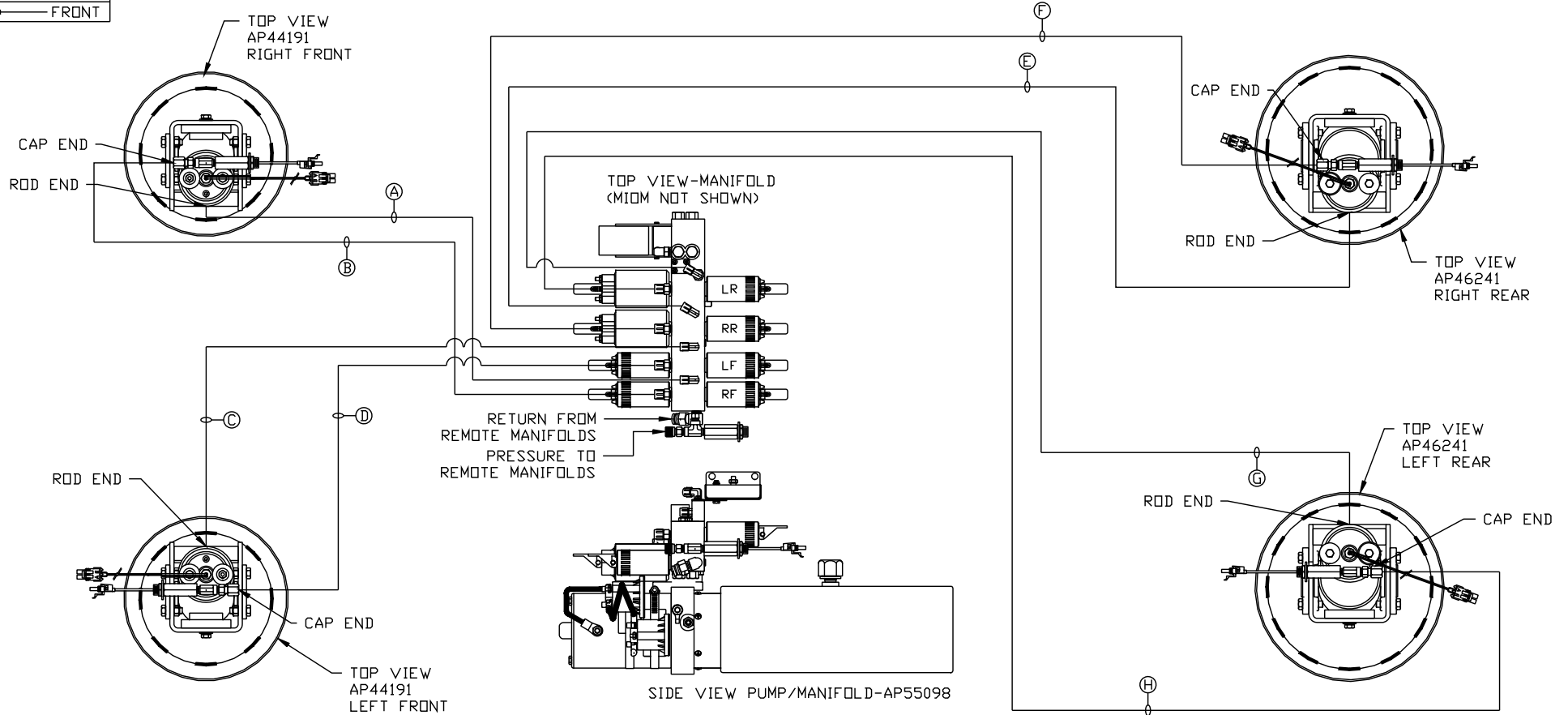


ORIENTATION

← FRONT



LOCATION AND ORIENTATION OF PUMP/MANIFOLD ASSEMBLY WILL DIFFER DEPENDING UPON O.E.M.

- (A) AP1412 HOSE ASSY 04 x 84" - RF ROD END
- (B) AP42057 HOSE ASSY 05 x 72" - RF CAP END
- (C) AP4827 HOSE ASSY 04 x 144" - LF ROD END
- (D) AP54008 HOSE ASSY 05 x 132" - LF CAP END
- (E) AP5561 HOSE ASSY 04 x 336" - RR ROD END
- (F) AP17476 HOSE ASSY 05 x 324" - RR CAP END
- (G) AP4163 HOSE ASSY 04 x 360" - LR ROD END
- (H) AP17477 HOSE ASSY 05 x 348" - LR CAP END

NOTE: INSTALLATION MUST CONFORM TO GOOD SHOP PRACTICES, SAE STANDARDS, RVIA STANDARDS, AND OTHER APPLICABLE STANDARDS.

LEVELING SYSTEM: AP56895

NO.	DATE	REVISION
THE INFORMATION DISCLOSED ON THIS DRAWING IS CONFIDENTIAL AND MUST NOT BE DISCLOSED OR USED IN ANY MANNER WHICH WILL BE DETRIMENTAL TO THE HWH CORPORATION		

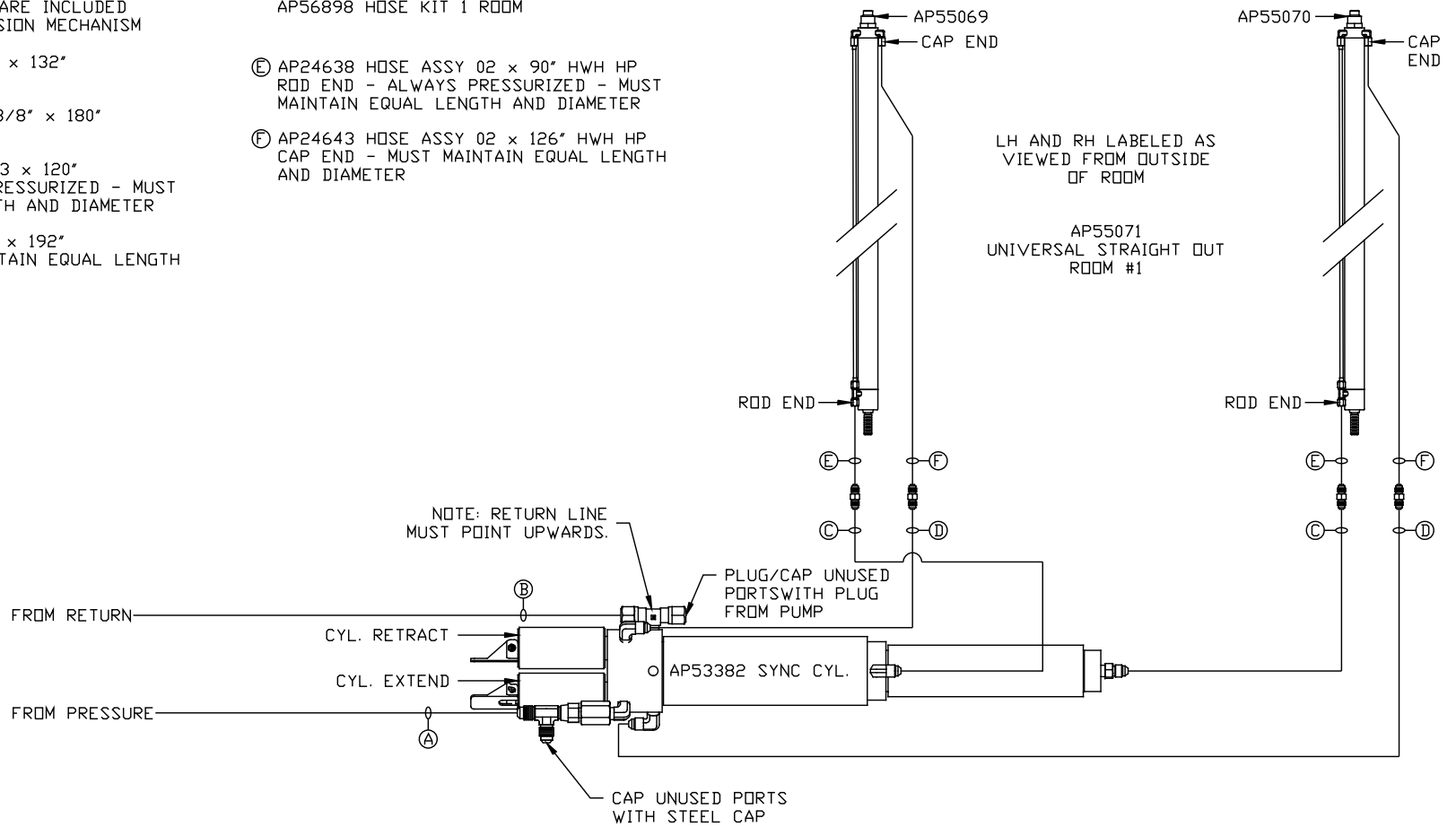
HWH		I-80 EXIT 267 SOUTH RT 1 MOSCOW, IOWA 52760	
SCALE 1:6	DATE 29JUL16	DRAWN BY .	
HYD CONN DIAGRAM			
FARBER		DRAWING NUMBER MP71014 A/B	

NOTE: HOSES (E) AND (F) ARE INCLUDED WITH THE ROOM EXTENSION MECHANISM

AP56898 HOSE KIT 1 ROOM

- (A) AP4062 HOSE ASSY 04 x 132" PRESSURE
- (B) P5145 TUBING NYLON 3/8" x 180" RETURN
- (C) AP49245 HOSE ASSY 03 x 120" ROD END - ALWAYS PRESSURIZED - MUST MAINTAIN EQUAL LENGTH AND DIAMETER
- (D) AP4162 HOSE ASSY 04 x 192" CAP END - MUST MAINTAIN EQUAL LENGTH AND DIAMETER

- (E) AP24638 HOSE ASSY 02 x 90" HWH HP ROD END - ALWAYS PRESSURIZED - MUST MAINTAIN EQUAL LENGTH AND DIAMETER
- (F) AP24643 HOSE ASSY 02 x 126" HWH HP CAP END - MUST MAINTAIN EQUAL LENGTH AND DIAMETER



NOTE: INSTALLATION MUST CONFORM TO GOOD SHOP PRACTICES, SAE STANDARDS, RVIA STANDARDS, AND OTHER APPLICABLE STANDARDS.

MP71014 B/B
29JUL16