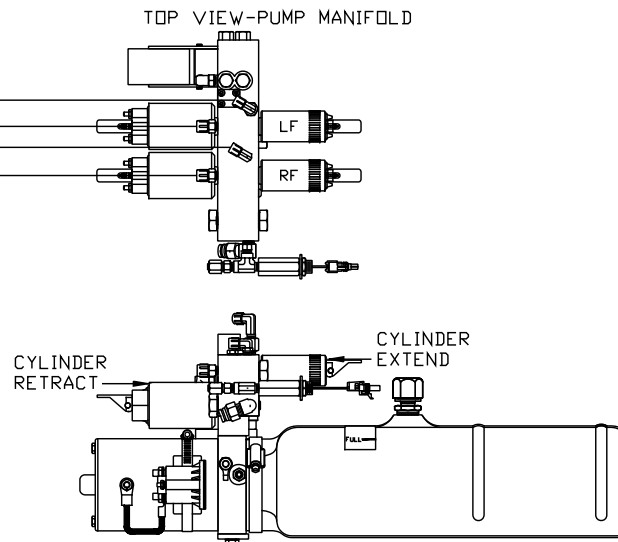
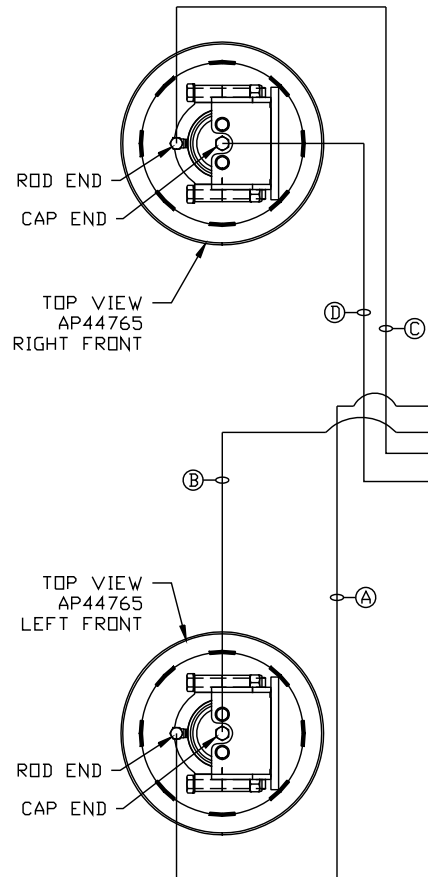


ORIENTATION
← FRONT



AP57303 HOSE KIT LAND GEAR (2)

- Ⓐ AP6116 HOSE ASSY 04 X 240" ROD END
- Ⓑ AP42092 HOSE ASSY 05 X 240" CAP END
- Ⓒ AP6116 HOSE ASSY 04 X 240" ROD END
- Ⓓ AP42092 HOSE ASSY 05 X 240" CAP END

SIDE VIEW PUMP/MANIFOLD-AP54245

LOCATION AND ORIENTATION OF PUMP/MANIFOLD ASSEMBLY WILL DIFFER DEPENDING UPON O.E.M.

NOTE: INSTALLATION MUST CONFORM TO GOOD SHOP PRACTICES, SAE STANDARDS, RVIA STANDARDS, AND OTHER APPLICABLE STANDARDS.

CONTROL PACKAGE: AP57301

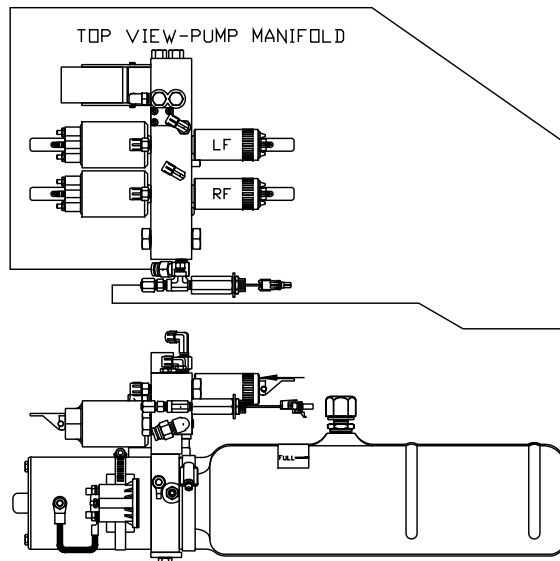
		HWH I-80 EXIT 267 SOUTH RT 1 MOSCOW, IOWA 52760	
		SCALE 1:6	DATE 19DEC16
		DRAWN BY .	
		HYD CONN DIAGRAM	
NO.	DATE	REVISION	
		THE INFORMATION DISCLOSED ON THIS DRAWING IS CONFIDENTIAL AND MUST NOT BE DISCLOSED OR USED IN ANY MANNER WHICH WILL BE DETRIMENTAL TO THE HWH CORPORATION	
		TURNKEY	DRAWING NUMBER MP71037 A/C

NOTE: HOSES (E) AND (F) ARE INCLUDED WITH THE ROOM EXTENSION MECHANISM

- (A) AP3314 HOSE ASSY 04 X 48" PRESSURE
- (B) P55310 TUBING NYLON 3/8 X 72" RETURN
- (C) AP51635 HOSE ASSY 03 X 216" ROD END - ALWAYS PRESSURIZED - MUST MAINTAIN EQUAL LENGTH AND DIAMETER
- (D) AP4061 HOSE ASSY 04 X 216" CAP END - MUST MAINTAIN EQUAL LENGTH AND DIAMETER

AP57304 HOSE KIT ROOM 1

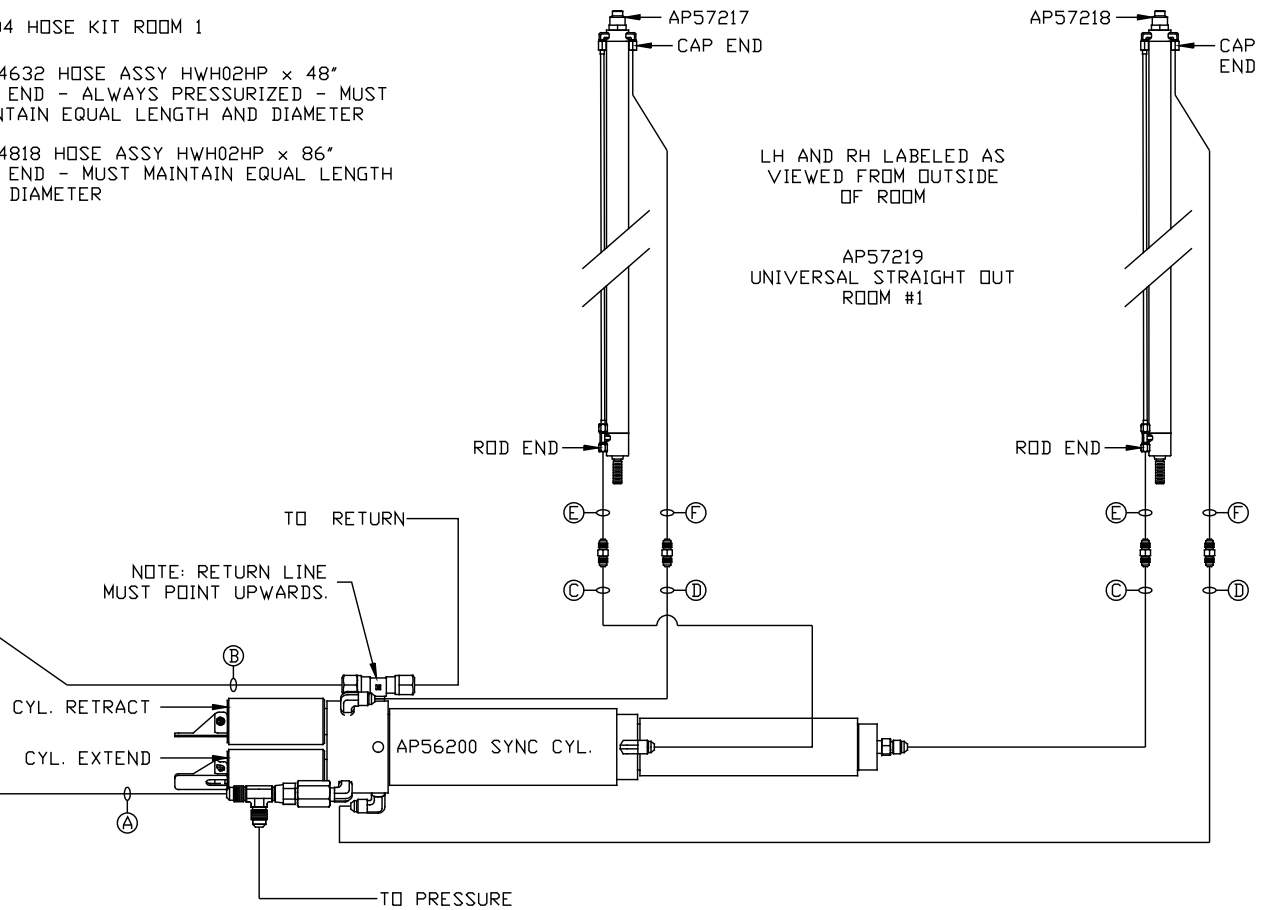
- (E) AP24632 HOSE ASSY HWH02HP X 48" ROD END - ALWAYS PRESSURIZED - MUST MAINTAIN EQUAL LENGTH AND DIAMETER
- (F) AP24818 HOSE ASSY HWH02HP X 86" CAP END - MUST MAINTAIN EQUAL LENGTH AND DIAMETER



SIDE VIEW PUMP/MANIFOLD-AP54245

LOCATION AND ORIENTATION OF PUMP/MANIFOLD ASSEMBLY WILL DIFFER DEPENDING UPON O.E.M.

NOTE: INSTALLATION MUST CONFORM TO GOOD SHOP PRACTICES, SAE STANDARDS, RVIA STANDARDS, AND OTHER APPLICABLE STANDARDS.

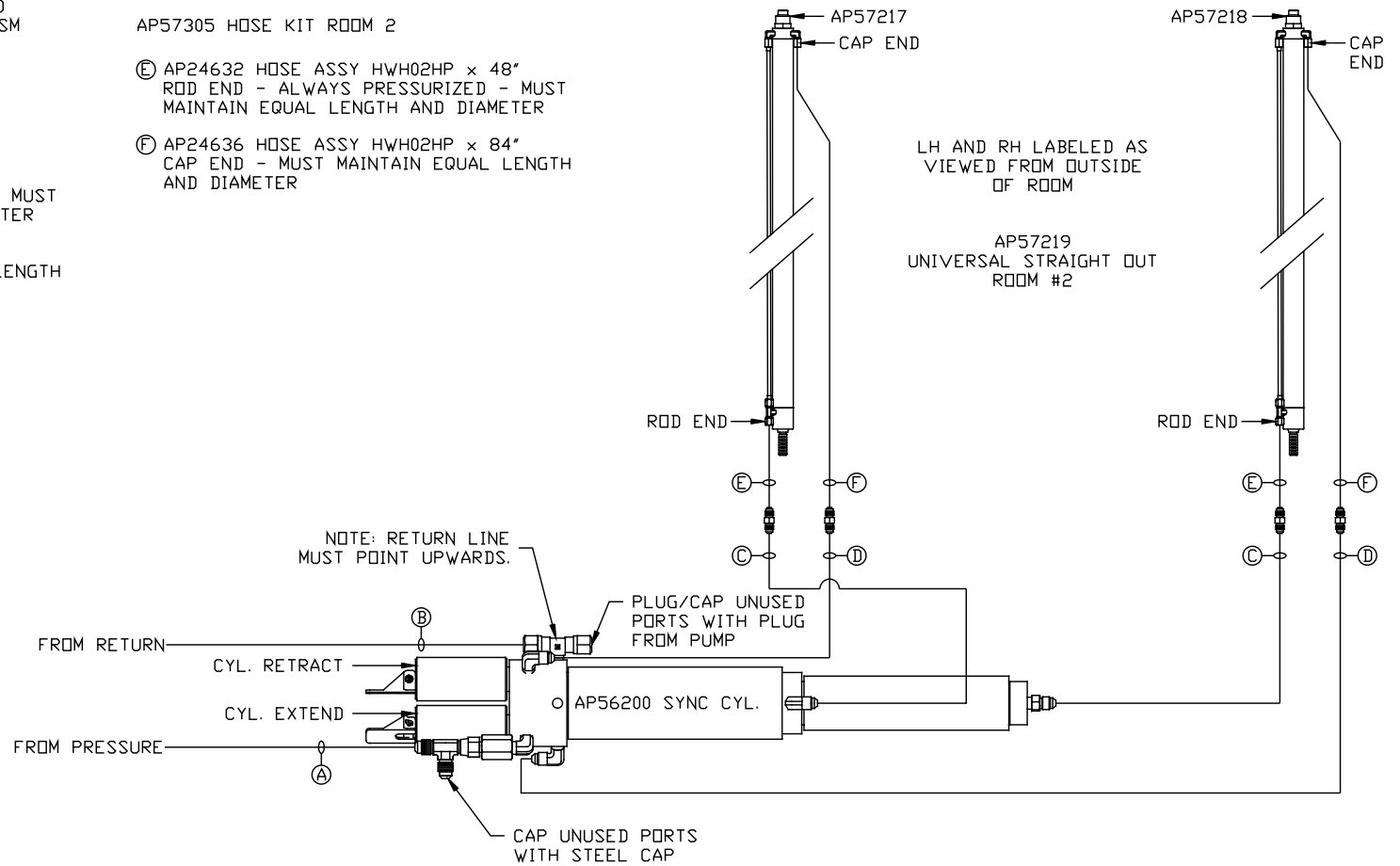


NOTE: HOSES ⑤ AND ⑥ ARE INCLUDED WITH THE ROOM EXTENSION MECHANISM

- ④ AP3314 HOSE ASSY 04 X 48" PRESSURE
- ⑤ P55310 TUBING NYLON 3/8 X 72" RETURN
- ③ AP51635 HOSE ASSY 03 X 216" ROD END - ALWAYS PRESSURIZED - MUST MAINTAIN EQUAL LENGTH AND DIAMETER
- ① AP4061 HOSE ASSY 04 X 216" CAP END - MUST MAINTAIN EQUAL LENGTH AND DIAMETER

AP57305 HOSE KIT ROOM 2

- ⑤ AP24632 HOSE ASSY HWH02HP X 48" ROD END - ALWAYS PRESSURIZED - MUST MAINTAIN EQUAL LENGTH AND DIAMETER
- ⑥ AP24636 HOSE ASSY HWH02HP X 84" CAP END - MUST MAINTAIN EQUAL LENGTH AND DIAMETER



NOTE: INSTALLATION MUST CONFORM TO GOOD SHOP PRACTICES, SAE STANDARDS, RVIA STANDARDS, AND OTHER APPLICABLE STANDARDS.

MP71037 C/C
19DEC16