

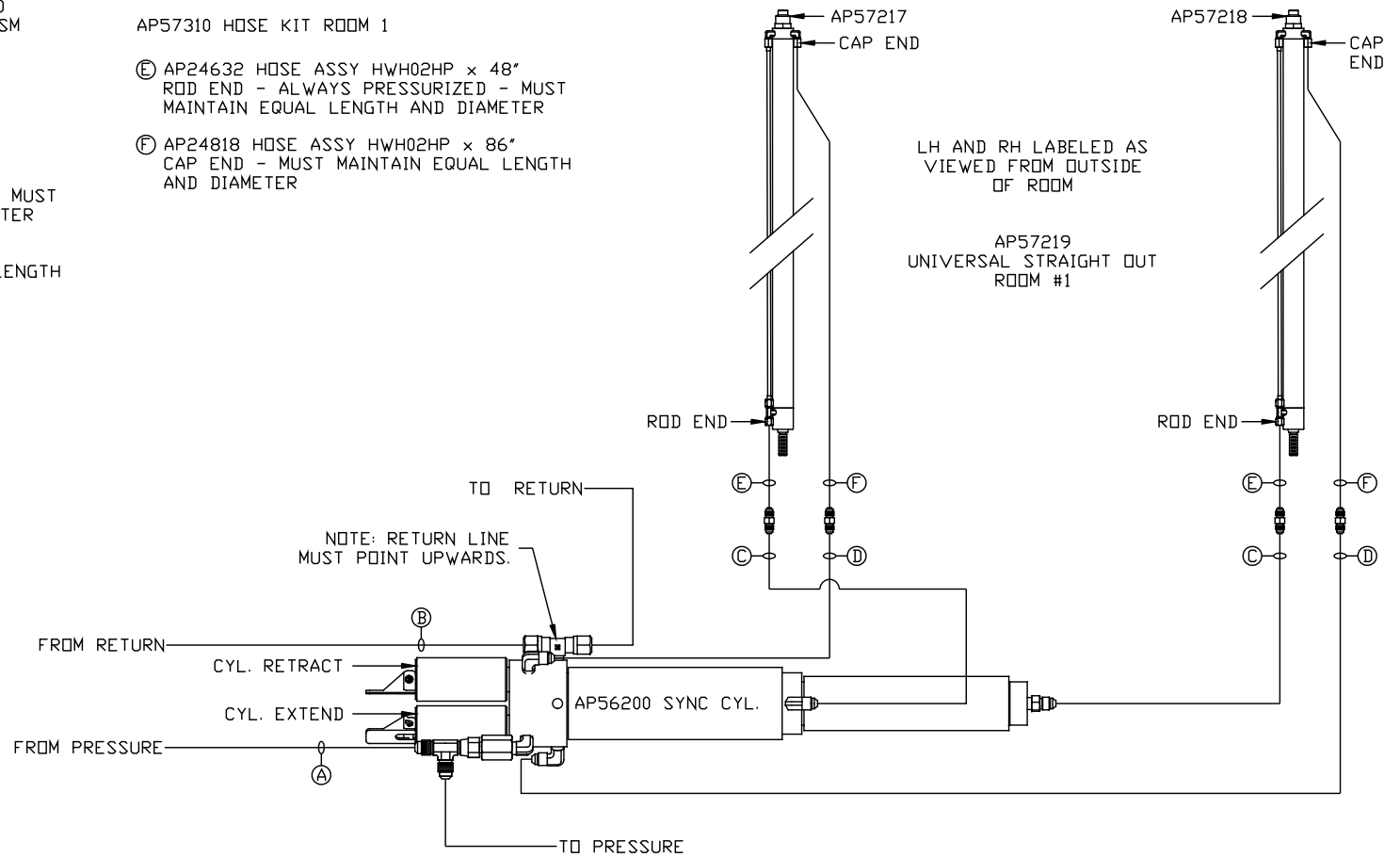
		HWH I-80 EXIT 267 SOUTH RT 1 MOSCOW, IOWA 52760	
		SCALE 1:6	DATE 19DEC16
		DRAWN BY .	
HYD CONN DIAGRAM			
NO.	DATE	REVISION	
THE INFORMATION DISCLOSED ON THIS DRAWING IS CONFIDENTIAL AND MUST NOT BE DISCLOSED OR USED IN ANY MANNER WHICH WILL BE DETRIMENTAL TO THE HWH CORPORATION			
TURNKEY			DRAWING NUMBER MP71038 A/C

NOTE: HOSES (E) AND (F) ARE INCLUDED WITH THE ROOM EXTENSION MECHANISM

- (A) AP4827 HOSE ASSY 04 X 144" PRESSURE
- (B) P5145 TUBING NYLON 3/8 X 180" RETURN
- (C) AP49438 HOSE ASSY 03 X 192" ROD END - ALWAYS PRESSURIZED - MUST MAINTAIN EQUAL LENGTH AND DIAMETER
- (D) AP4162 HOSE ASSY 04 X 192" CAP END - MUST MAINTAIN EQUAL LENGTH AND DIAMETER

AP57310 HOSE KIT ROOM 1

- (E) AP24632 HOSE ASSY HWH02HP X 48" ROD END - ALWAYS PRESSURIZED - MUST MAINTAIN EQUAL LENGTH AND DIAMETER
- (F) AP24818 HOSE ASSY HWH02HP X 86" CAP END - MUST MAINTAIN EQUAL LENGTH AND DIAMETER



NOTE: INSTALLATION MUST CONFORM TO GOOD SHOP PRACTICES, SAE STANDARDS, RVIA STANDARDS, AND OTHER APPLICABLE STANDARDS.

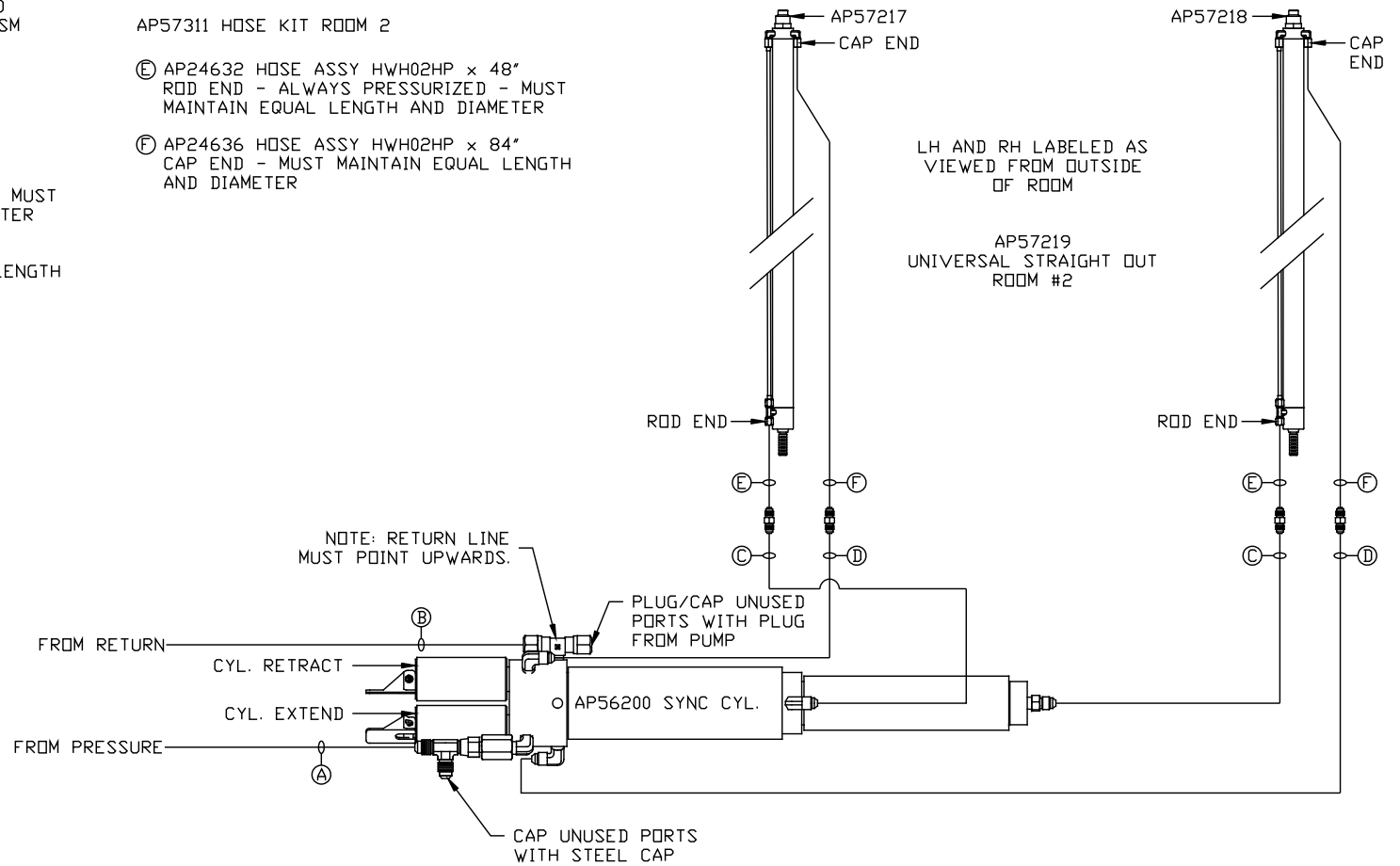
MP71038 B/C
19DEC16

NOTE: HOSES (E) AND (F) ARE INCLUDED WITH THE ROOM EXTENSION MECHANISM

- (A) AP5352 HOSE ASSY 04 X 96" PRESSURE
- (B) P5254 TUBING NYLON 3/8 X 96" RETURN
- (C) AP49438 HOSE ASSY 03 X 192" ROD END - ALWAYS PRESSURIZED - MUST MAINTAIN EQUAL LENGTH AND DIAMETER
- (D) AP4162 HOSE ASSY 04 X 192" CAP END - MUST MAINTAIN EQUAL LENGTH AND DIAMETER

AP57311 HOSE KIT ROOM 2

- (E) AP24632 HOSE ASSY HWH02HP x 48" ROD END - ALWAYS PRESSURIZED - MUST MAINTAIN EQUAL LENGTH AND DIAMETER
- (F) AP24636 HOSE ASSY HWH02HP x 84" CAP END - MUST MAINTAIN EQUAL LENGTH AND DIAMETER



NOTE: INSTALLATION MUST CONFORM TO GOOD SHOP PRACTICES, SAE STANDARDS, RVIA STANDARDS, AND OTHER APPLICABLE STANDARDS.

MP71038 C/C
19DEC16