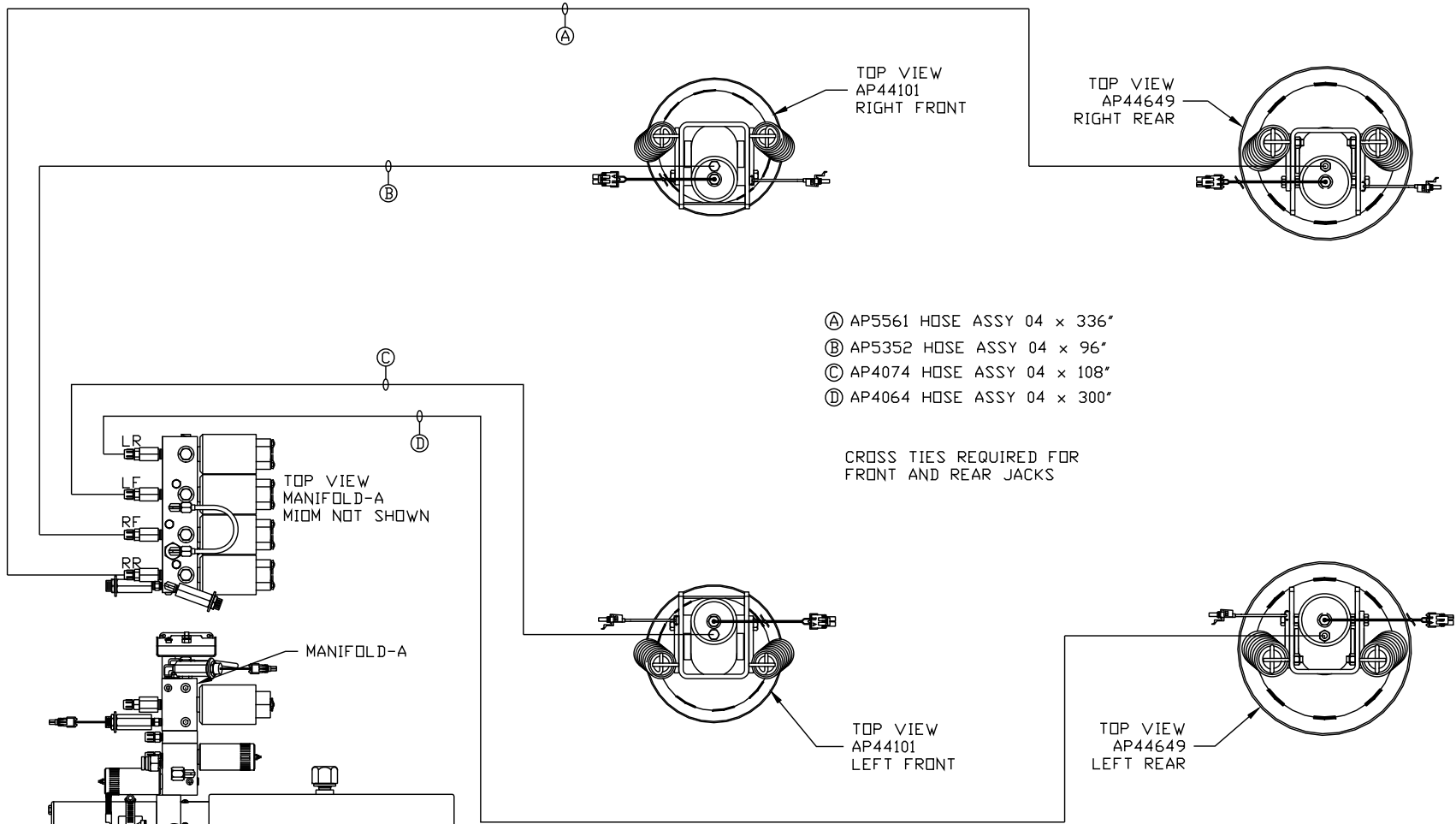
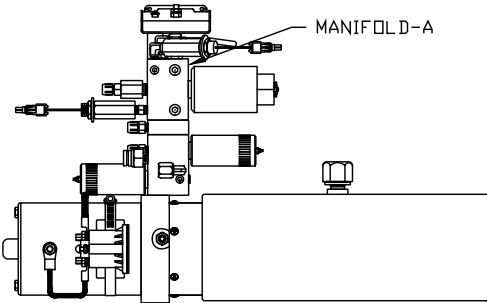
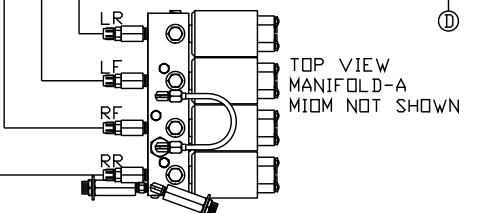


ORIENTATION
← FRONT



- Ⓐ AP5561 HOSE ASSY 04 x 336"
- Ⓑ AP5352 HOSE ASSY 04 x 96"
- Ⓒ AP4074 HOSE ASSY 04 x 108"
- Ⓓ AP4064 HOSE ASSY 04 x 300"

CROSS TIES REQUIRED FOR FRONT AND REAR JACKS



LOCATION AND ORIENTATION OF PUMP/MANIFOLD ASSEMBLY WILL DIFFER DEPENDING UPON O.E.M.

NOTE: INSTALLATION MUST CONFORM TO GOOD SHOP PRACTICES, SAE STANDARDS, RVIA STANDARDS, AND OTHER APPLICABLE STANDARDS.

NO.	DATE	REVISION

SYNC KIT: AP62039	NO.	DATE	REVISION
PUMP KIT: AP62043	THE INFORMATION DISCLOSED ON THIS DRAWING IS CONFIDENTIAL AND MUST NOT BE DISCLOSED OR USED IN ANY MANNER WHICH WILL BE DETRIMENTAL TO THE HWH CORPORATION		
JACK KIT: AP58595			

HWH I-80 EXIT 267 SOUTH
RT 1 MOSCOW, IOWA 52760

SCALE 1:6 DATE 02MAR22 DRAWN BY .

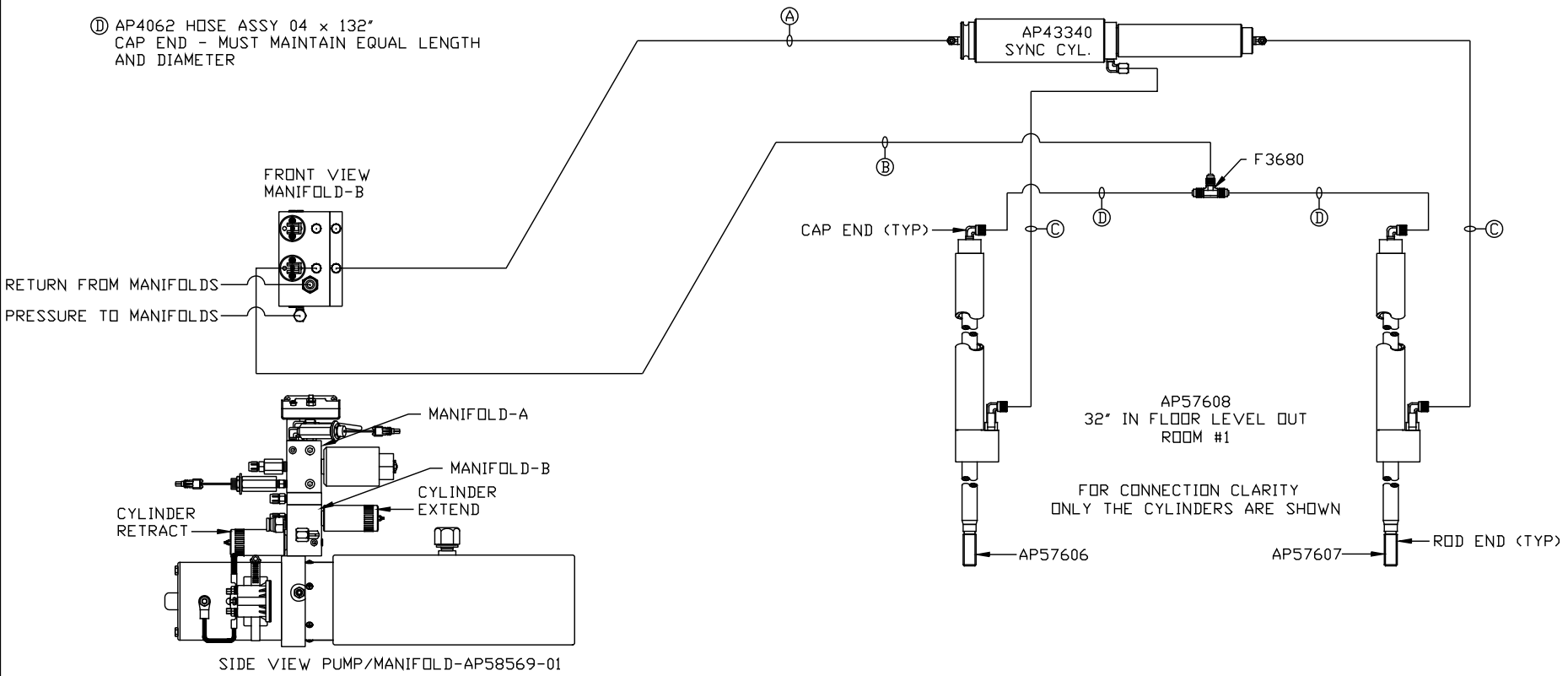
HYD CONN DIAGRAM

TIFFIN

DRAWING NUMBER
MP71404 A/E

ORIENTATION
 ← FRONT

- Ⓐ AP2445 HOSE ASSY 04 x 90"
ROD END - ALWAYS PRESSURIZED
- Ⓑ AP1412 HOSE ASSY 04 x 84"
CAP END
- Ⓒ AP49246 HOSE ASSY 03 x 156"
ROD END - ALWAYS PRESSURIZED - MUST
MAINTAIN EQUAL LENGTH AND DIAMETER
- Ⓓ AP4062 HOSE ASSY 04 x 132"
CAP END - MUST MAINTAIN EQUAL LENGTH
AND DIAMETER

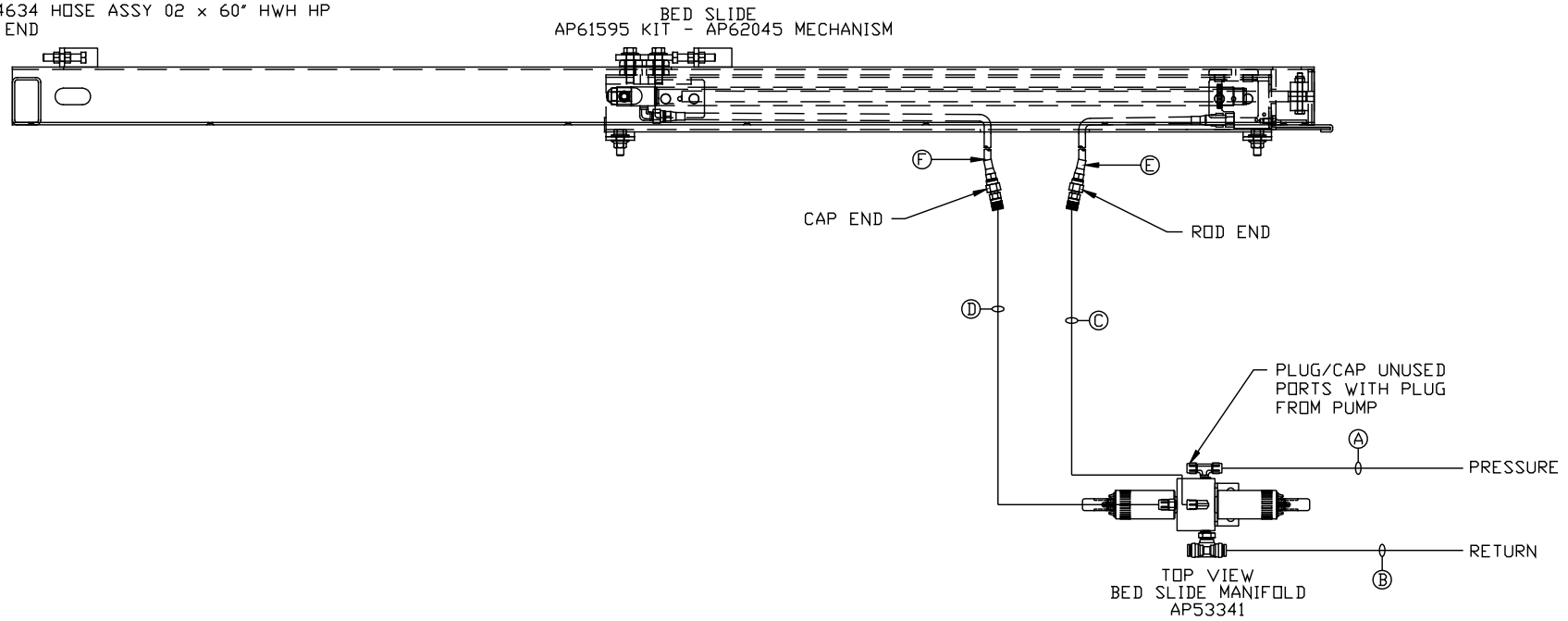


LOCATION AND ORIENTATION OF
 PUMP/MANIFOLD ASSEMBLY WILL
 DIFFER DEPENDING UPON O.E.M.

NOTE: INSTALLATION MUST CONFORM TO GOOD SHOP PRACTICES, SAE
 STANDARDS, RVIA STANDARDS, AND OTHER APPLICABLE STANDARDS.

NOTE: HOSES (E) AND (F) ARE INCLUDED WITH THE ROOM EXTENSION MECHANISM

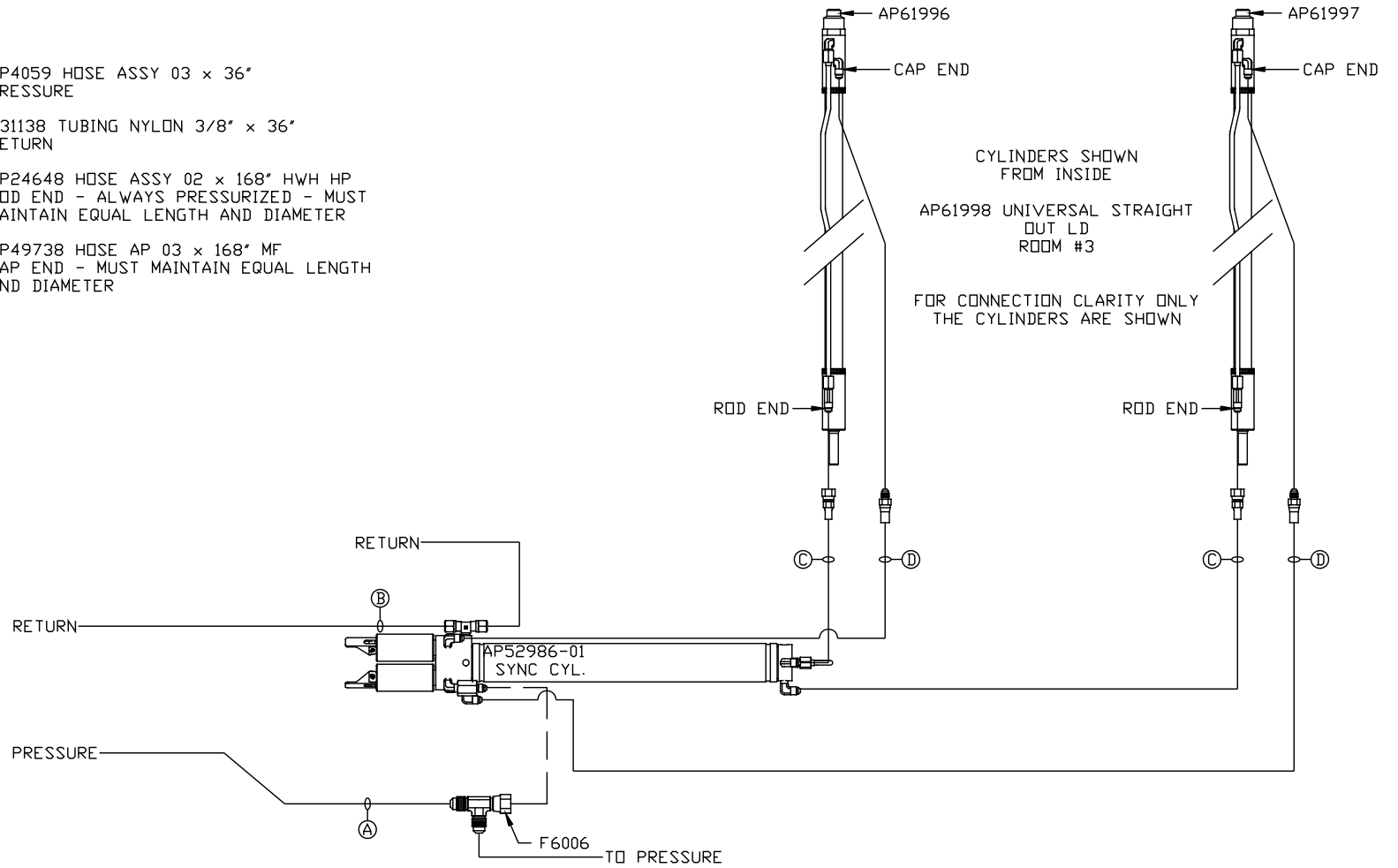
- (A) AP4163 HOSE ASSY 04 X 360" PRESSURE
- (B) P4479 NYLON TUBING 3/8" X 360" RETURN
- (C) AP4906 HOSE ASSY 04 X 126" ROD END - ALWAYS PRESSURIZED
- (D) AP4161 HOSE ASSY 04 X 120" CAP END
- (E) AP24630 HOSE ASSY 02 X 36" HWH HP ROD END - ALWAYS PRESSURIZED
- (F) AP24634 HOSE ASSY 02 X 60" HWH HP CAP END



NOTE: INSTALLATION MUST CONFORM TO GOOD SHOP PRACTICES, SAE STANDARDS, RVIA STANDARDS, AND OTHER APPLICABLE STANDARDS.

MP71404 C/E
02MAR22

- Ⓐ AP4059 HOSE ASSY 03 x 36" PRESSURE
- Ⓑ P31138 TUBING NYLON 3/8" x 36" RETURN
- Ⓒ AP24648 HOSE ASSY 02 x 168" HWH HP ROD END - ALWAYS PRESSURIZED - MUST MAINTAIN EQUAL LENGTH AND DIAMETER
- Ⓓ AP49738 HOSE AP 03 x 168" MF CAP END - MUST MAINTAIN EQUAL LENGTH AND DIAMETER



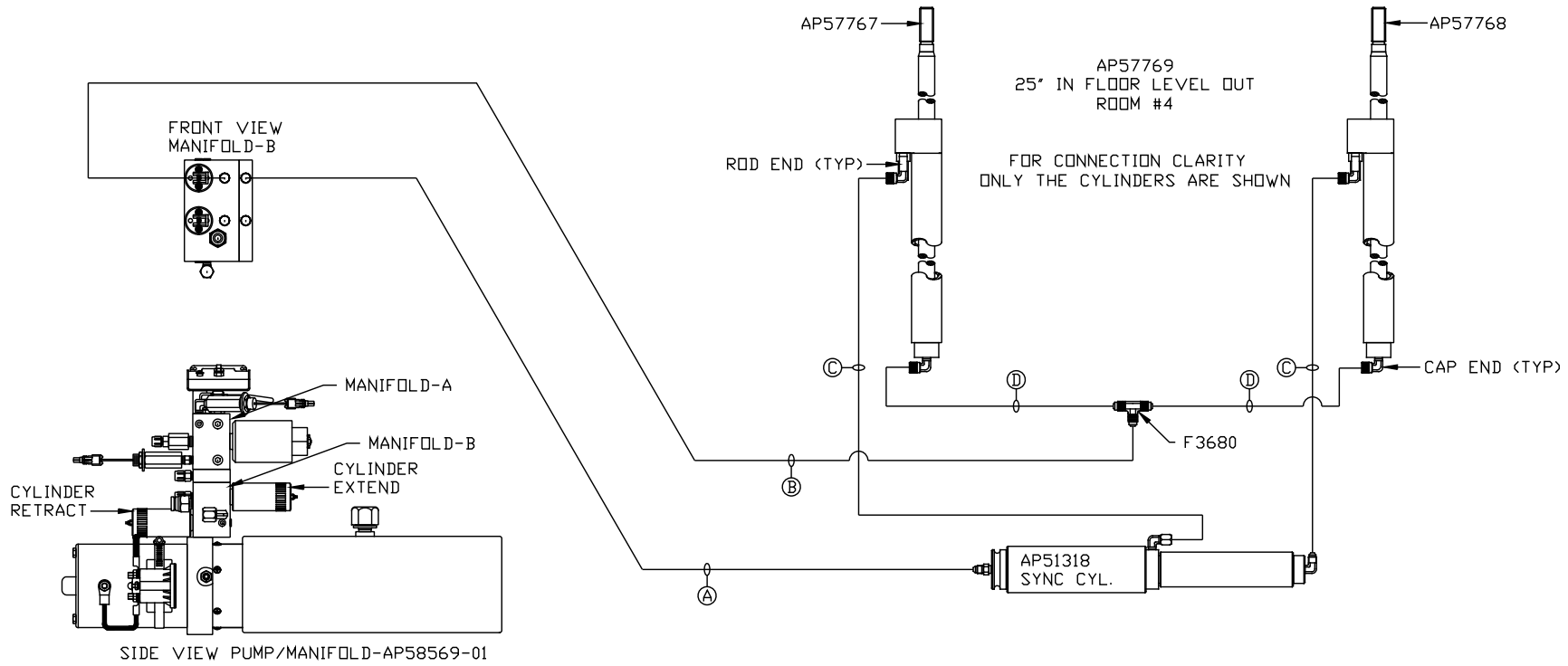
NOTE: INSTALLATION MUST CONFORM TO GOOD SHOP PRACTICES, SAE STANDARDS, RVIA STANDARDS, AND OTHER APPLICABLE STANDARDS.

MP71404 D/E
02MAR22

ORIENTATION

← FRONT

- Ⓐ AP5352 HOSE ASSY 04 × 96"
ROD END - ALWAYS PRESSURIZED
- Ⓑ AP10566 HOSE ASSY 04 × 102"
CAP END
- Ⓒ AP51589 HOSE ASSY 03 × 228"
ROD END - ALWAYS PRESSURIZED - MUST
MAINTAIN EQUAL LENGTH AND DIAMETER
- Ⓓ AP5924 HOSE ASSY 04 × 228"
CAP END - MUST MAINTAIN EQUAL LENGTH
AND DIAMETER



LOCATION AND ORIENTATION OF
PUMP/MANIFOLD ASSEMBLY WILL
DIFFER DEPENDING UPON O.E.M.

NOTE: INSTALLATION MUST CONFORM TO GOOD SHOP PRACTICES, SAE
STANDARDS, RVIA STANDARDS, AND OTHER APPLICABLE STANDARDS.