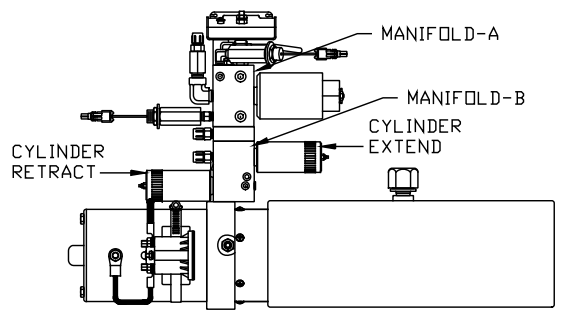
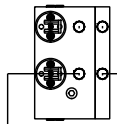


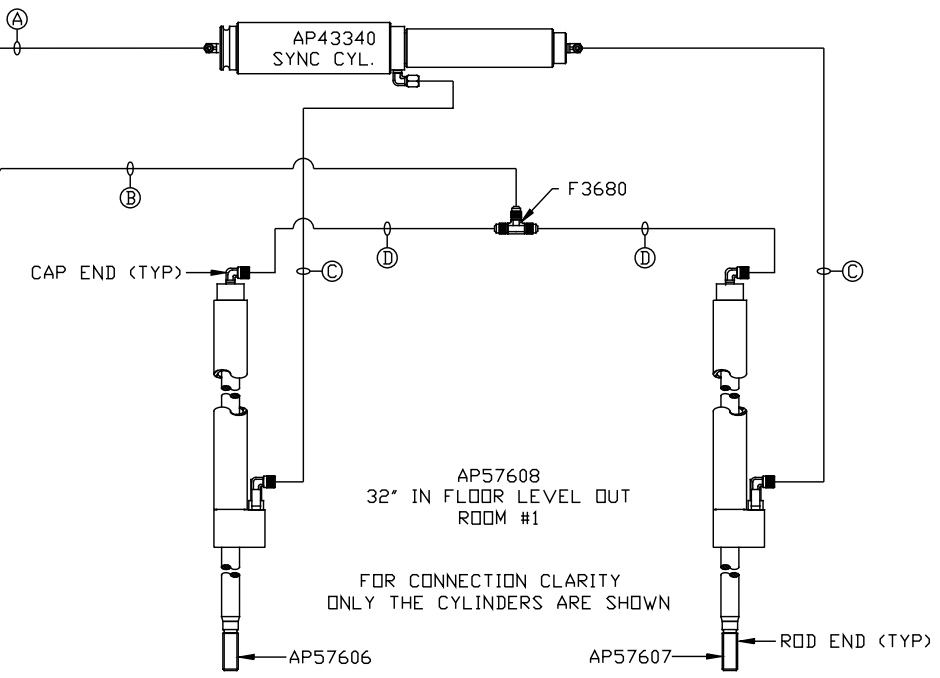
ORIENTATION
 ← FRONT

- Ⓐ AP5215 HOSE ASSY 04 x 78"
ROD END - ALWAYS PRESSURIZED
- Ⓑ AP4159 HOSE ASSY 04 x 72"
CAP END
- Ⓒ AP49246 HOSE ASSY 03 x 156"
ROD END - ALWAYS PRESSURIZED - MUST
MAINTAIN EQUAL LENGTH AND DIAMETER
- Ⓓ AP4065 HOSE ASSY 04 x 156"
CAP END - MUST MAINTAIN EQUAL LENGTH
AND DIAMETER

FRONT VIEW
 MANIFOLD-B



SIDE VIEW PUMP/MANIFOLD-AP58569
 LOCATION AND ORIENTATION OF
 PUMP/MANIFOLD ASSEMBLY WILL
 DIFFER DEPENDING UPON O.E.M.

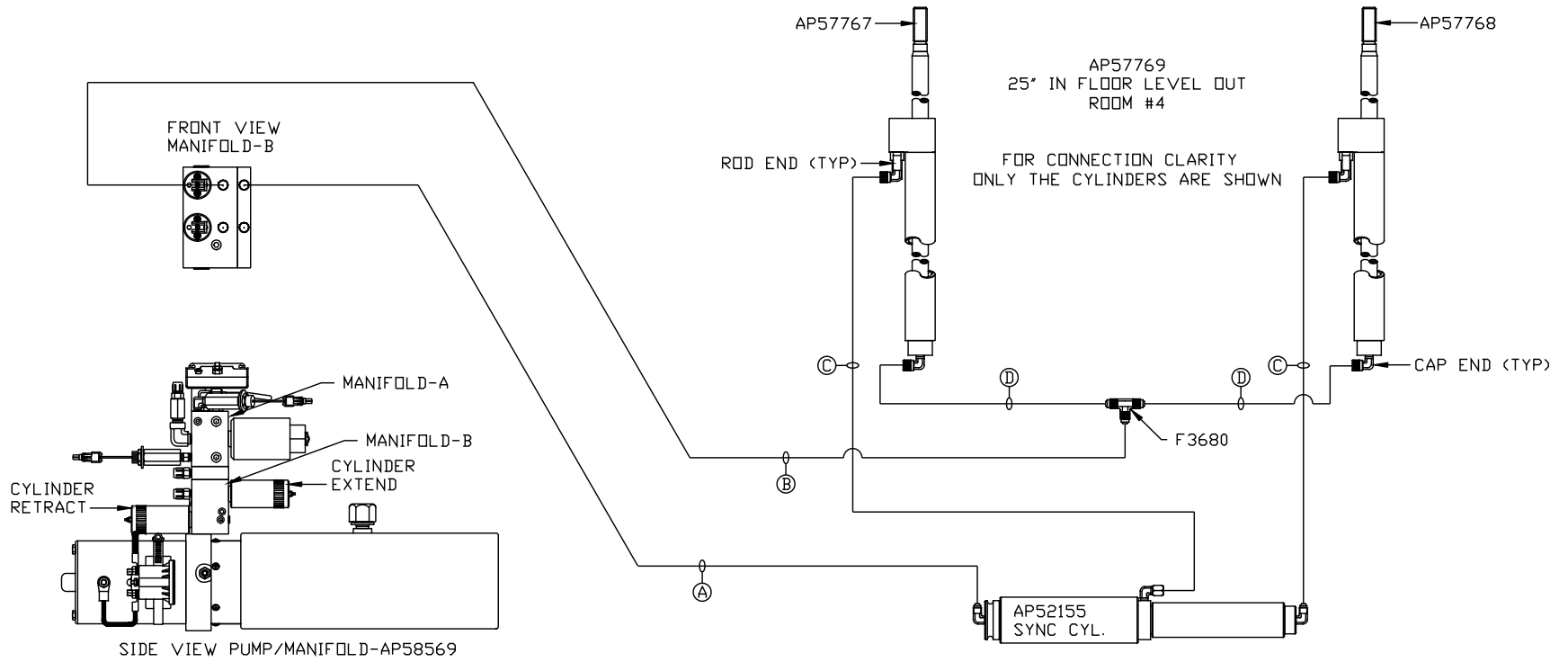


NOTE: INSTALLATION MUST CONFORM TO GOOD SHOP PRACTICES, SAE
 STANDARDS, RVIA STANDARDS, AND OTHER APPLICABLE STANDARDS.

ORIENTATION

← FRONT

- Ⓐ AP1412 HOSE ASSY 04 × 84"
ROD END - ALWAYS PRESSURIZED
- Ⓑ AP5352 HOSE ASSY 04 × 96"
CAP END
- Ⓒ AP53067 HOSE ASSY 03 × 276"
ROD END - ALWAYS PRESSURIZED - MUST
MAINTAIN EQUAL LENGTH AND DIAMETER
- Ⓓ AP5562 HOSE ASSY 04 × 276"
CAP END - MUST MAINTAIN EQUAL LENGTH
AND DIAMETER



LOCATION AND ORIENTATION OF
PUMP/MANIFOLD ASSEMBLY WILL
DIFFER DEPENDING UPON O.E.M.

NOTE: INSTALLATION MUST CONFORM TO GOOD SHOP PRACTICES, SAE
STANDARDS, RVIA STANDARDS, AND OTHER APPLICABLE STANDARDS.