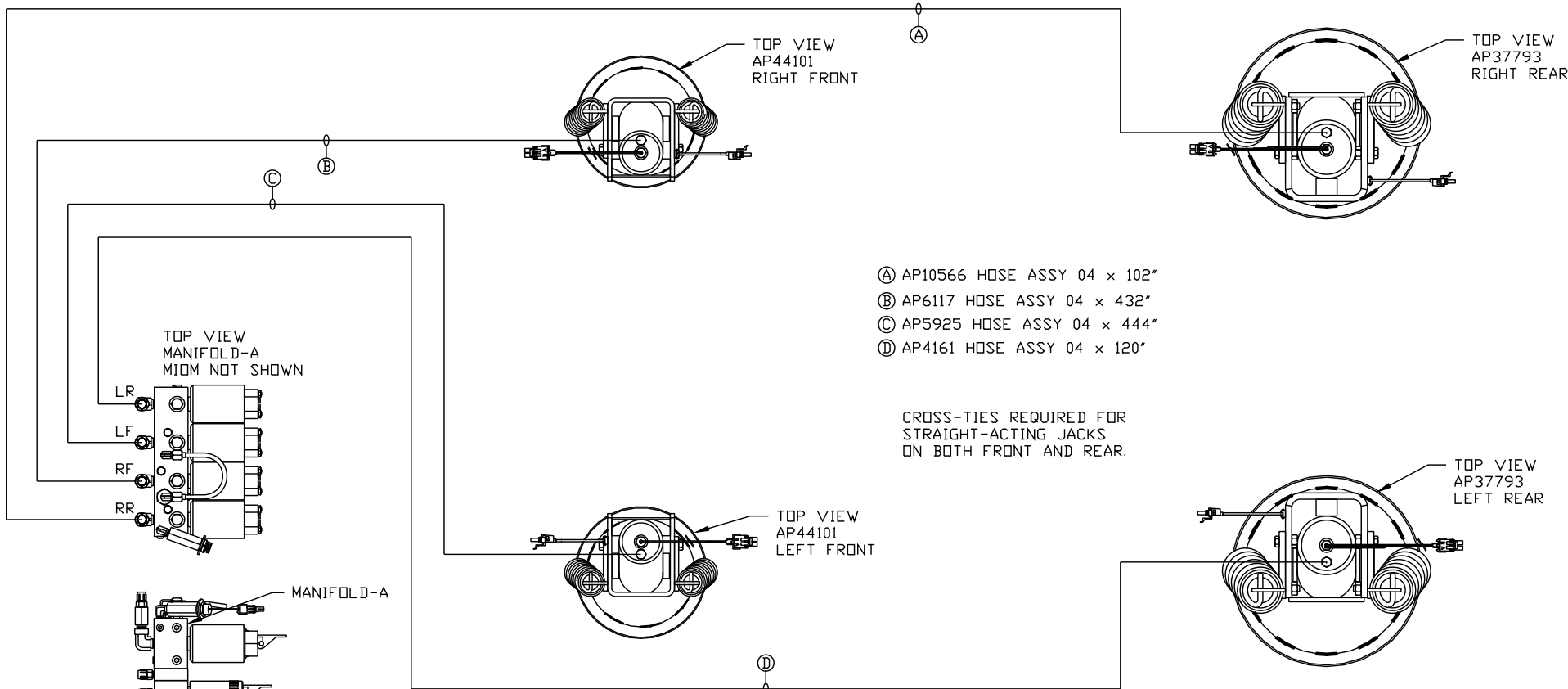
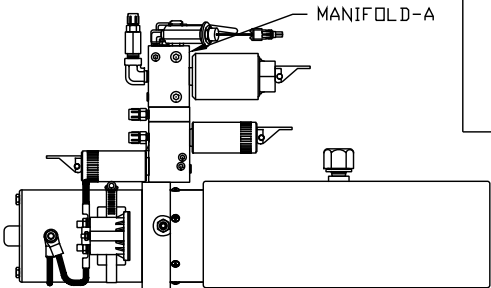


ORIENTATION
← FRONT



- Ⓐ AP10566 HOSE ASSY 04 x 102"
- Ⓑ AP6117 HOSE ASSY 04 x 432"
- Ⓒ AP5925 HOSE ASSY 04 x 444"
- Ⓓ AP4161 HOSE ASSY 04 x 120"

CROSS-TIES REQUIRED FOR STRAIGHT-ACTING JACKS ON BOTH FRONT AND REAR.



SIDE VIEW PUMP/MANIFOLD-AP54806

LOCATION AND ORIENTATION OF PUMP/MANIFOLD ASSEMBLY WILL DIFFER DEPENDING UPON O.E.M.

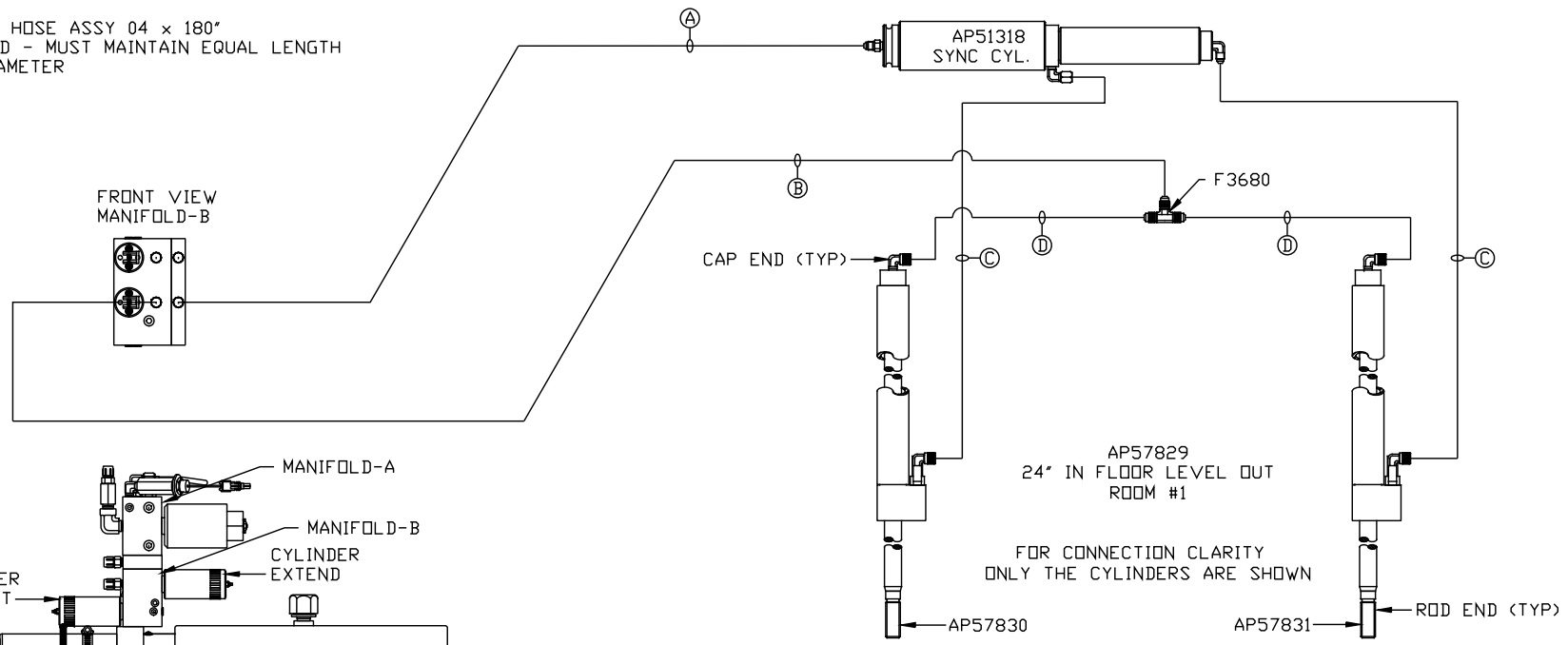
NOTE: INSTALLATION MUST CONFORM TO GOOD SHOP PRACTICES, SAE STANDARDS, RVIA STANDARDS, AND OTHER APPLICABLE STANDARDS.

<table border="1"> <tr><td> </td><td> </td><td> </td></tr> <tr><td> </td><td> </td><td> </td></tr> <tr><td> </td><td> </td><td> </td></tr> <tr><td> </td><td> </td><td> </td></tr> </table>															<p>HWH I-80 EXIT 267 SOUTH RT 1 MOSCOW, IOWA 52760</p>	
<p>SCALE 1:6 DATE 04MAR22 DRAWN BY .</p>			<p>HYD CONN DIAGRAM</p>													
<p>SYNC KIT: AP53377</p>	<p>NO. DATE REVISION</p>	<p>TIFFIN</p>		<p>DRAWING NUMBER MP71410 A/C</p>												
<p>PUMP KIT: AP51752</p>	<p>THE INFORMATION DISCLOSED ON THIS DRAWING IS CONFIDENTIAL AND MUST NOT BE DISCLOSED OR USED IN ANY MANNER WHICH WILL BE DETRIMENTAL TO THE HWH CORPORATION</p>															
<p>JACK KIT: AP52291</p>																

ORIENTATION

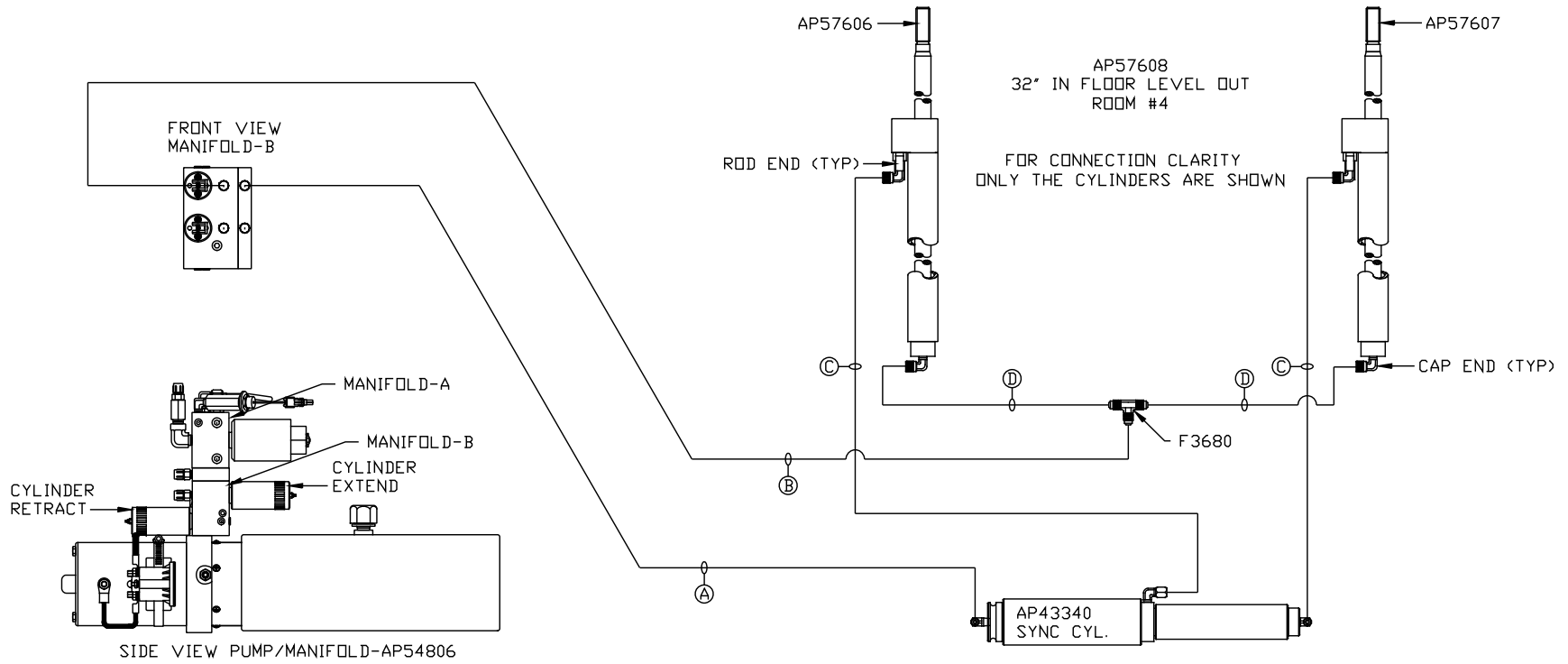
← FRONT

- Ⓐ AP4074 HOSE AP 04 x 108"
ROD END - ALWAYS PRESSURIZED
- Ⓑ AP4161 HOSE AP 04 x 120"
CAP END
- Ⓒ AP49517 HOSE ASSY 03 x 180"
ROD END - ALWAYS PRESSURIZED - MUST
MAINTAIN EQUAL LENGTH AND DIAMETER
- Ⓓ AP5965 HOSE ASSY 04 x 180"
CAP END - MUST MAINTAIN EQUAL LENGTH
AND DIAMETER



NOTE: INSTALLATION MUST CONFORM TO GOOD SHOP PRACTICES, SAE STANDARDS, RVIA STANDARDS, AND OTHER APPLICABLE STANDARDS.

- Ⓐ AP5352 HOSE ASSY 04 × 96"
ROD END - ALWAYS PRESSURIZED
- Ⓑ AP10566 HOSE ASSY 04 × 102"
CAP END
- Ⓒ AP51589 HOSE ASSY 03 × 228"
ROD END - ALWAYS PRESSURIZED - MUST
MAINTAIN EQUAL LENGTH AND DIAMETER
- Ⓓ AP5924 HOSE ASSY 04 × 228"
CAP END - MUST MAINTAIN EQUAL LENGTH
AND DIAMETER



LOCATION AND ORIENTATION OF
PUMP/MANIFOLD ASSEMBLY WILL
DIFFER DEPENDING UPON O.E.M.

NOTE: INSTALLATION MUST CONFORM TO GOOD SHOP PRACTICES, SAE
STANDARDS, RVIA STANDARDS, AND OTHER APPLICABLE STANDARDS.

MP71410 C/C
04MAR22