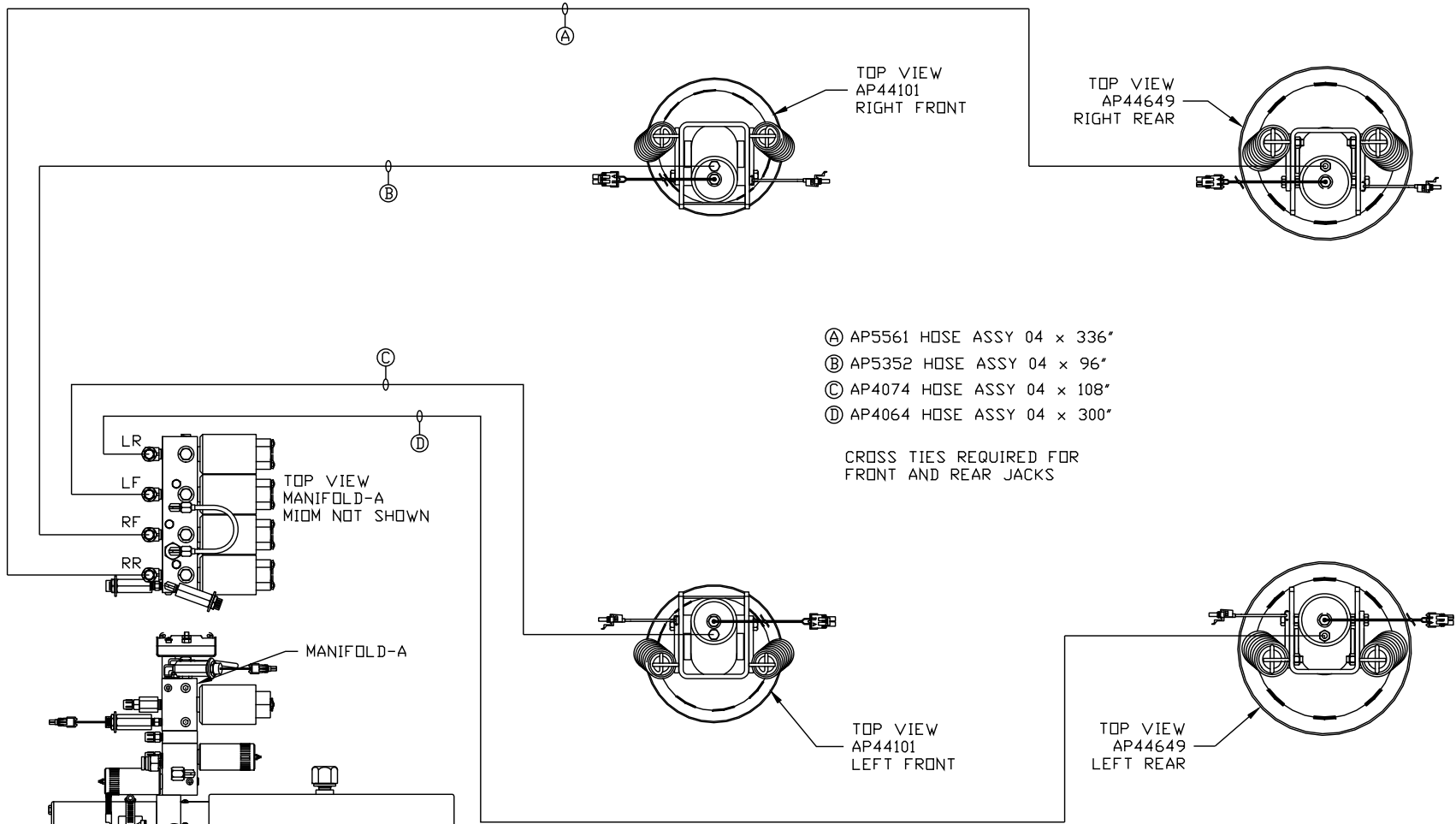


ORIENTATION  
← FRONT



- Ⓐ AP5561 HOSE ASSY 04 × 336"
- Ⓑ AP5352 HOSE ASSY 04 × 96"
- Ⓒ AP4074 HOSE ASSY 04 × 108"
- Ⓓ AP4064 HOSE ASSY 04 × 300"

CROSS TIES REQUIRED FOR FRONT AND REAR JACKS

NO.	DATE	REVISION

SYNC KIT: AP62727  
 PUMP KIT: AP62043  
 JACK KIT: AP58595

**HWH** I-80 EXIT 267 SOUTH  
RT 1 MOSCOW, IOWA 52760

SCALE 1:6 DATE 22MAR22 DRAWN BY .

HYD CONN DIAGRAM

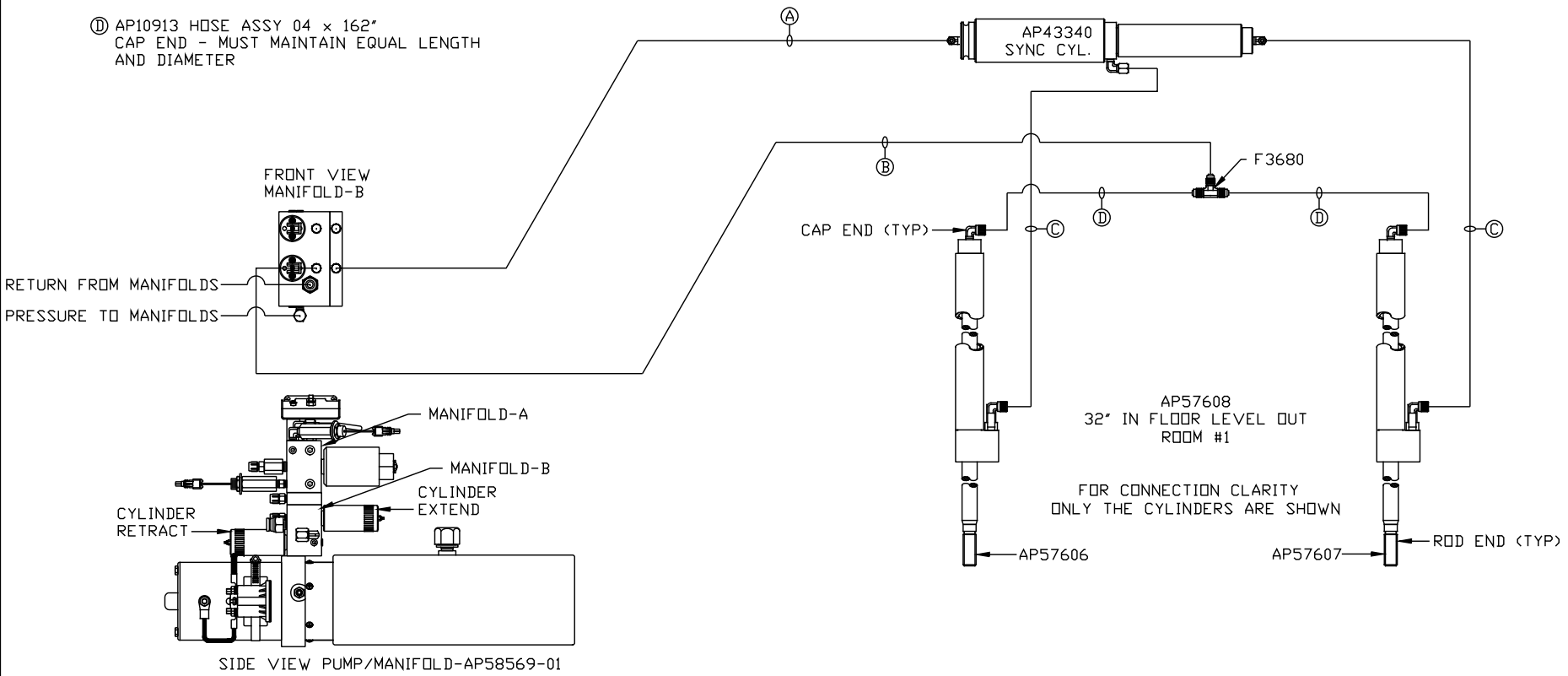
TIFFIN

DRAWING NUMBER MP71414 A/D

NOTE: INSTALLATION MUST CONFORM TO GOOD SHOP PRACTICES, SAE STANDARDS, RVIA STANDARDS, AND OTHER APPLICABLE STANDARDS.

ORIENTATION  
 ← FRONT

- Ⓐ AP10566 HOSE ASSY 04 x 102"  
ROD END - ALWAYS PRESSURIZED
- Ⓑ AP5352 HOSE ASSY 04 x 96"  
CAP END
- Ⓒ AP50261 HOSE ASSY 03 x 168"  
ROD END - ALWAYS PRESSURIZED - MUST  
MAINTAIN EQUAL LENGTH AND DIAMETER
- Ⓓ AP10913 HOSE ASSY 04 x 162"  
CAP END - MUST MAINTAIN EQUAL LENGTH  
AND DIAMETER

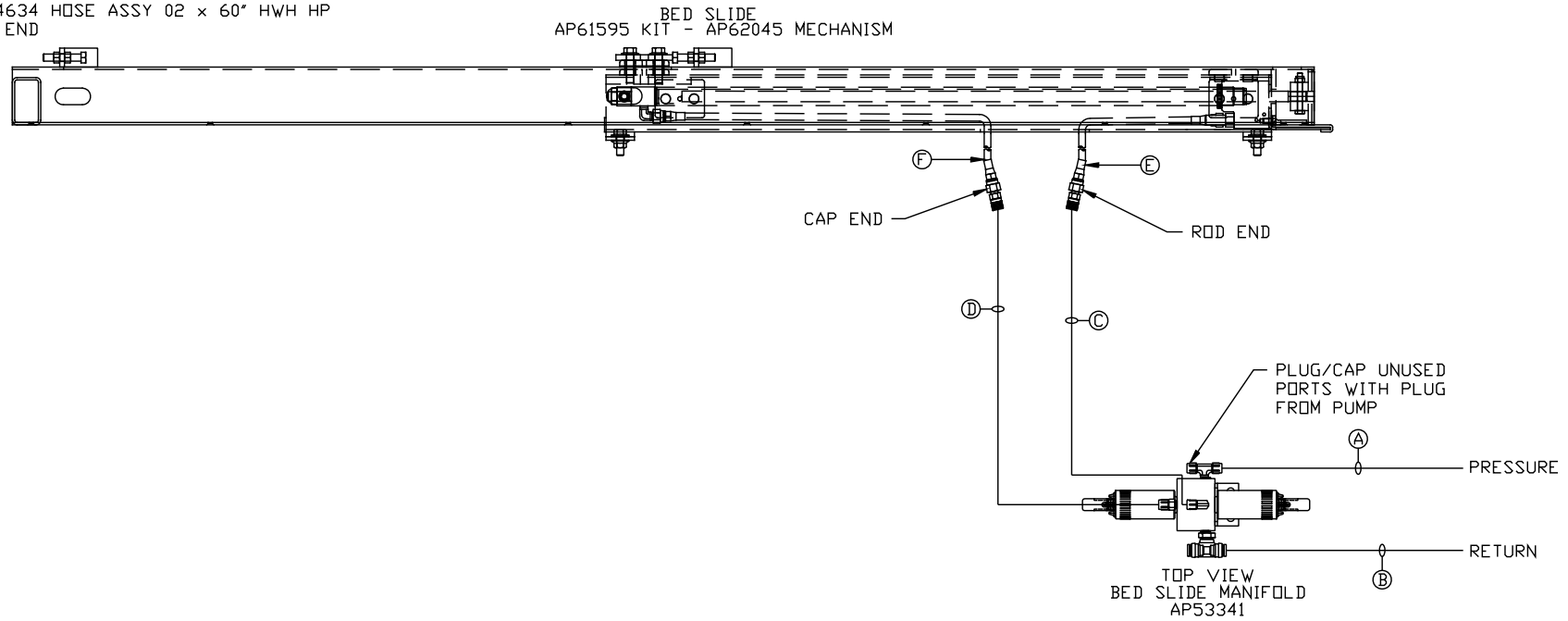


SIDE VIEW PUMP/MANIFOLD-AP58569-01  
 LOCATION AND ORIENTATION OF  
 PUMP/MANIFOLD ASSEMBLY WILL  
 DIFFER DEPENDING UPON O.E.M.

NOTE: INSTALLATION MUST CONFORM TO GOOD SHOP PRACTICES, SAE  
 STANDARDS, RVIA STANDARDS, AND OTHER APPLICABLE STANDARDS.

NOTE: HOSES (E) AND (F) ARE INCLUDED WITH THE ROOM EXTENSION MECHANISM

- (A) AP6218 HOSE ASSY 04 X 480" PRESSURE
- (B) P29287 NYLON TUBING 3/8" X 480" RETURN
- (C) AP4906 HOSE ASSY 04 X 126" ROD END - ALWAYS PRESSURIZED
- (D) AP4161 HOSE ASSY 04 X 120" CAP END
- (E) AP24630 HOSE ASSY 02 X 36" HWH HP ROD END - ALWAYS PRESSURIZED
- (F) AP24634 HOSE ASSY 02 X 60" HWH HP CAP END



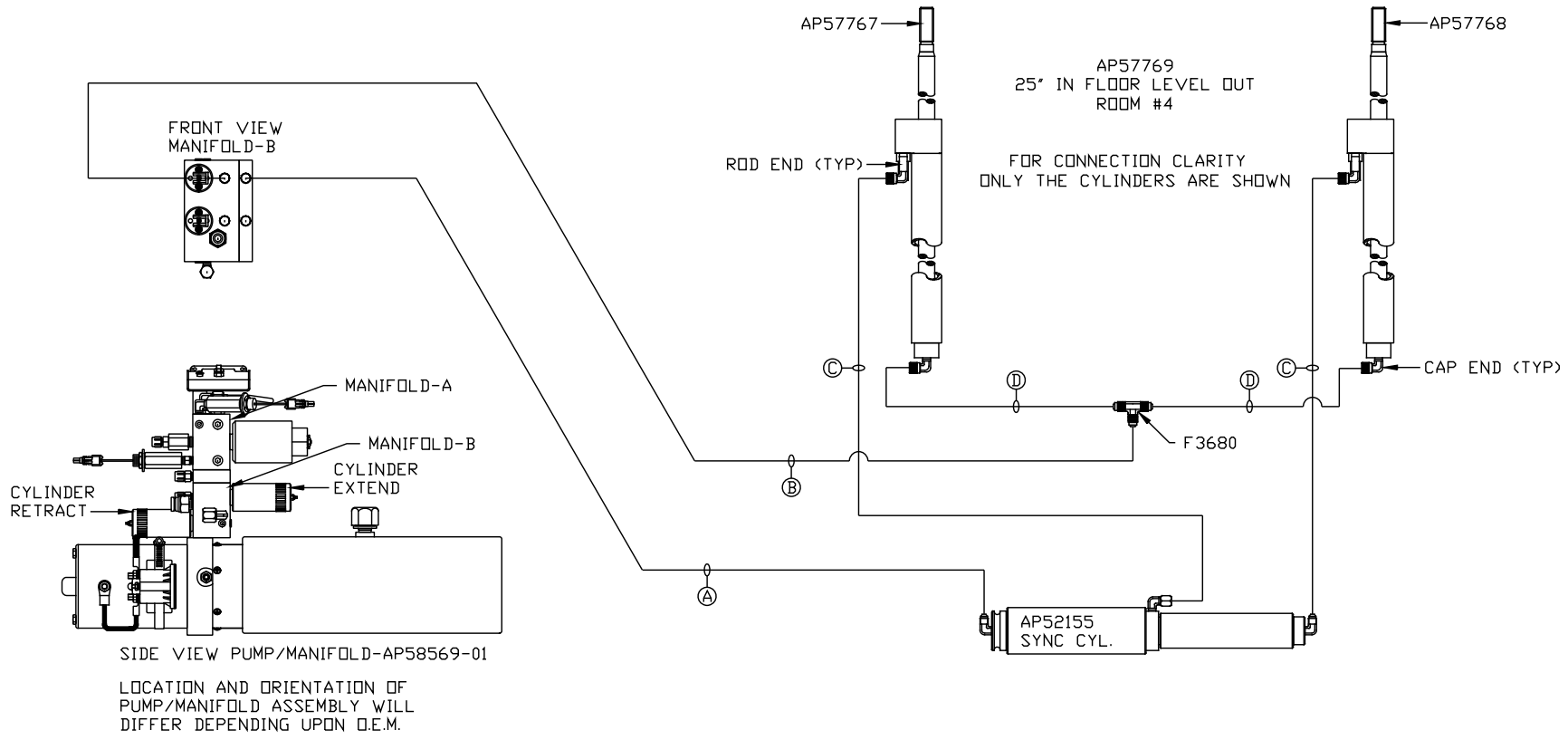
NOTE: INSTALLATION MUST CONFORM TO GOOD SHOP PRACTICES, SAE STANDARDS, RVIA STANDARDS, AND OTHER APPLICABLE STANDARDS.

MP71414 C/D  
22MAR22

ORIENTATION

← FRONT

- Ⓐ AP4074 HOSE ASSY 04 x 108"  
ROD END - ALWAYS PRESSURIZED
- Ⓑ AP53964 HOSE ASSY 04 x 114"  
CAP END
- Ⓒ AP51638 HOSE ASSY 03 x 300"  
ROD END - ALWAYS PRESSURIZED - MUST  
MAINTAIN EQUAL LENGTH AND DIAMETER
- Ⓓ AP5216 HOSE ASSY 04 x 312"  
CAP END - MUST MAINTAIN EQUAL LENGTH  
AND DIAMETER



NOTE: INSTALLATION MUST CONFORM TO GOOD SHOP PRACTICES, SAE STANDARDS, RVIA STANDARDS, AND OTHER APPLICABLE STANDARDS.