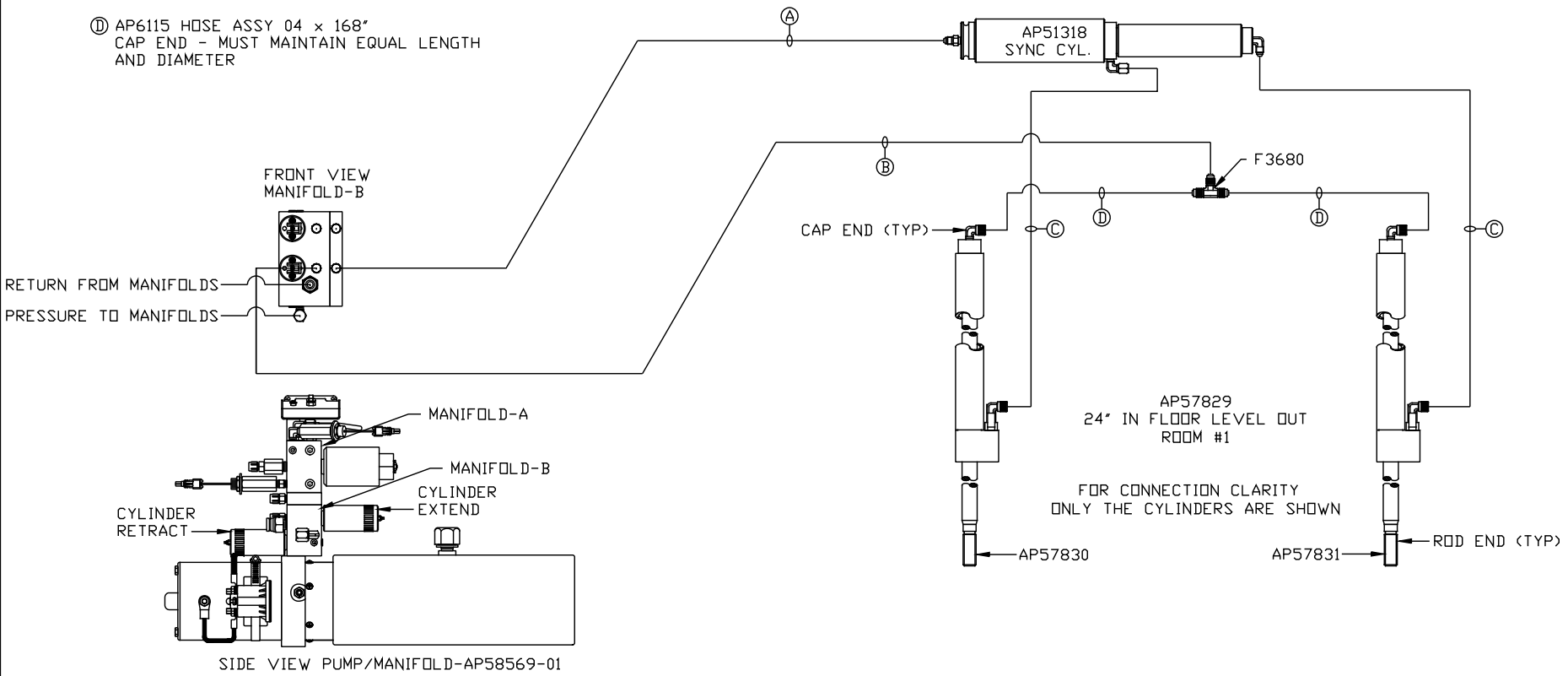


ORIENTATION

← FRONT

- Ⓐ AP5352 HOSE ASSY 04 × 96"
ROD END - ALWAYS PRESSURIZED
- Ⓑ AP2445 HOSE ASSY 04 × 90"
CAP END
- Ⓒ AP49517 HOSE ASSY 03 × 180"
ROD END - ALWAYS PRESSURIZED - MUST
MAINTAIN EQUAL LENGTH AND DIAMETER
- Ⓓ AP6115 HOSE ASSY 04 × 168"
CAP END - MUST MAINTAIN EQUAL LENGTH
AND DIAMETER

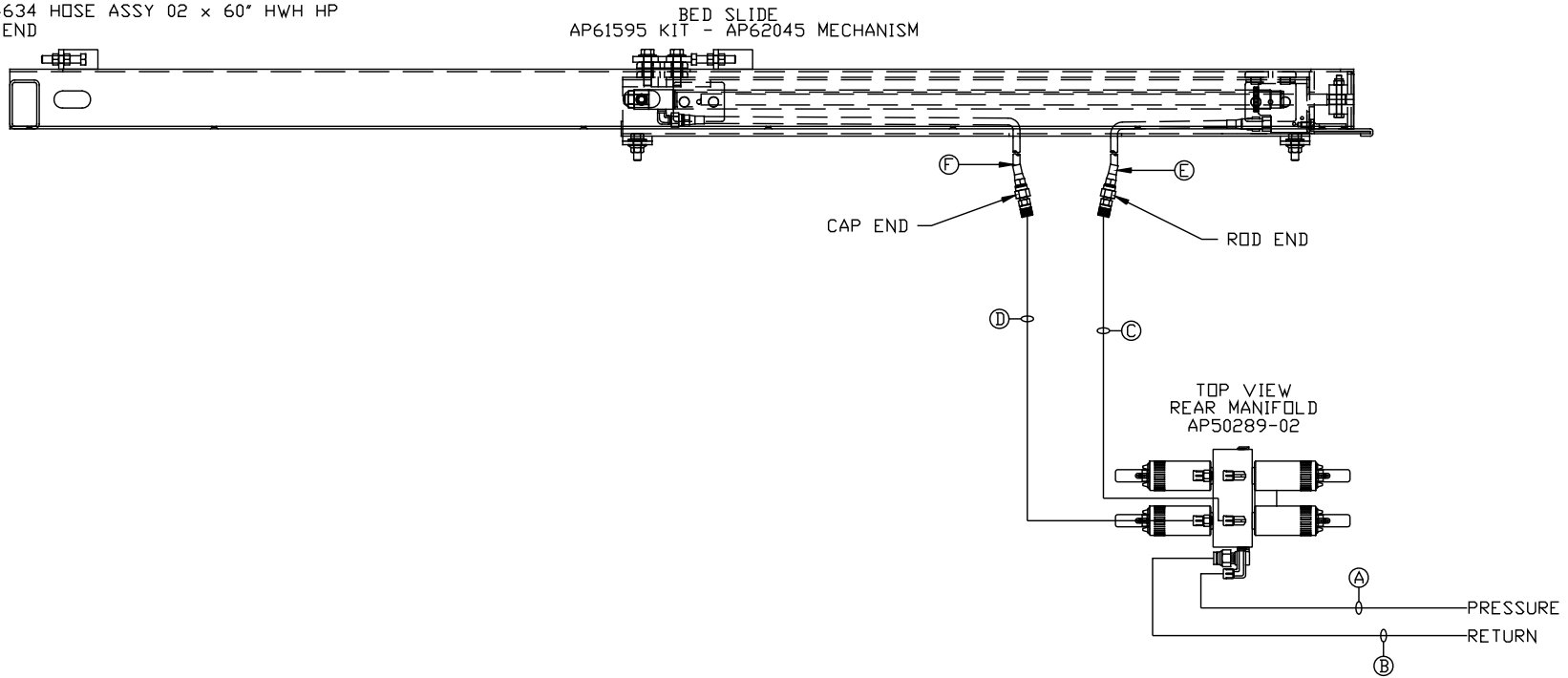


LOCATION AND ORIENTATION OF
PUMP/MANIFOLD ASSEMBLY WILL
DIFFER DEPENDING UPON O.E.M.

NOTE: INSTALLATION MUST CONFORM TO GOOD SHOP PRACTICES, SAE
STANDARDS, RVIA STANDARDS, AND OTHER APPLICABLE STANDARDS.

NOTE: HOSES (E) AND (F) ARE INCLUDED WITH THE ROOM EXTENSION MECHANISM

- (A) AP6218 HOSE ASSY 04 X 480" PRESSURE
- (B) P29287 NYLON TUBING 3/8" X 480" RETURN
- (C) AP4906 HOSE ASSY 04 X 126" ROD END - ALWAYS PRESSURIZED
- (D) AP4161 HOSE ASSY 04 X 120" CAP END
- (E) AP24630 HOSE ASSY 02 X 36" HWH HP ROD END - ALWAYS PRESSURIZED
- (F) AP24634 HOSE ASSY 02 X 60" HWH HP CAP END



NOTE: INSTALLATION MUST CONFORM TO GOOD SHOP PRACTICES, SAE STANDARDS, RVIA STANDARDS, AND OTHER APPLICABLE STANDARDS.

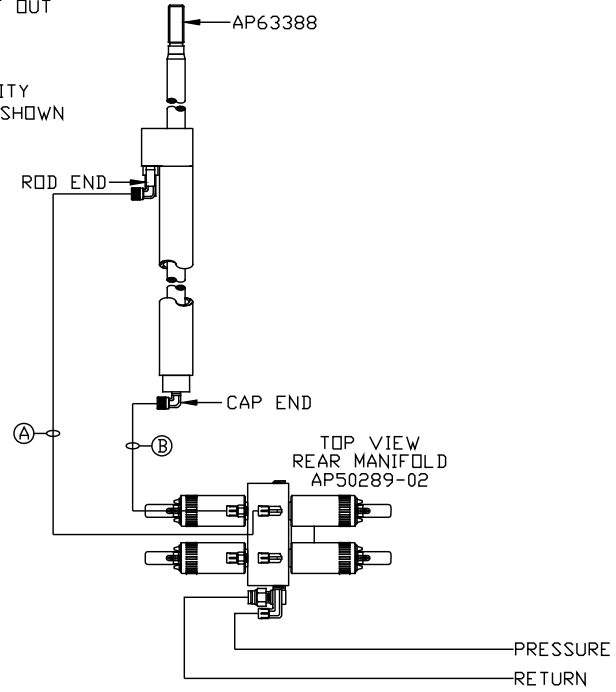
MP71420 C/E
22MAR22

Ⓐ AP4827 HOSE ASSY 04 X 144"
ROD END - ALWAYS PRESSURIZED

Ⓑ AP4062 HOSE ASSY 04 X 132"
CAP END

AP63387
18" IN FLOOR STRAIGHT OUT
ROOM #3

FOR CONNECTION CLARITY
ONLY THE CYLINDER IS SHOWN



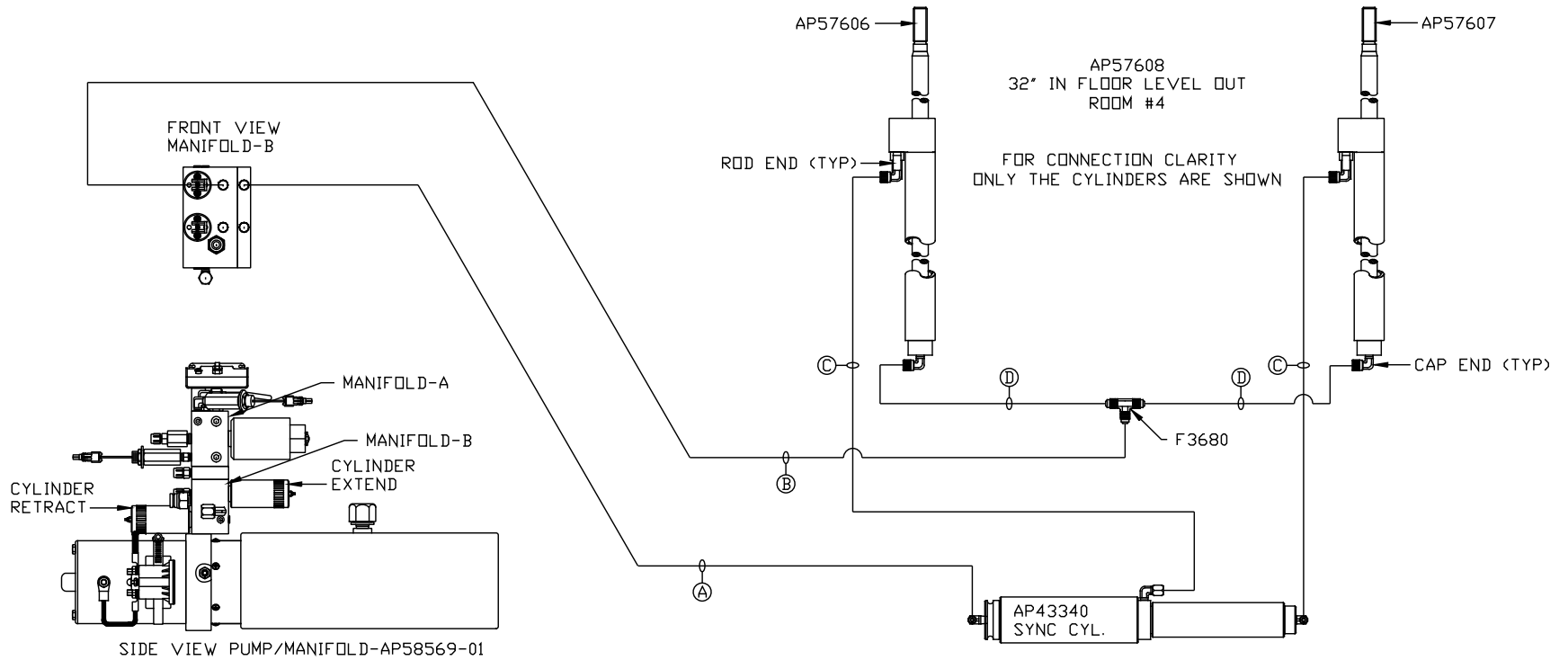
NOTE: INSTALLATION MUST CONFORM TO GOOD SHOP PRACTICES, SAE STANDARDS, RVIA STANDARDS, AND OTHER APPLICABLE STANDARDS.

MP71420 D/E
22MAR22

ORIENTATION

← FRONT

- Ⓐ AP4074 HOSE ASSY 04 x 108"
ROD END - ALWAYS PRESSURIZED
- Ⓑ AP53964 HOSE ASSY 04 x 114"
CAP END
- Ⓒ AP51589 HOSE ASSY 03 x 228"
ROD END - ALWAYS PRESSURIZED - MUST
MAINTAIN EQUAL LENGTH AND DIAMETER
- Ⓓ AP7385 HOSE ASSY 04 x 252"
CAP END - MUST MAINTAIN EQUAL LENGTH
AND DIAMETER



SIDE VIEW PUMP/MANIFOLD-AP58569-01
 LOCATION AND ORIENTATION OF
 PUMP/MANIFOLD ASSEMBLY WILL
 DIFFER DEPENDING UPON O.E.M.

NOTE: INSTALLATION MUST CONFORM TO GOOD SHOP PRACTICES, SAE
 STANDARDS, RVIA STANDARDS, AND OTHER APPLICABLE STANDARDS.