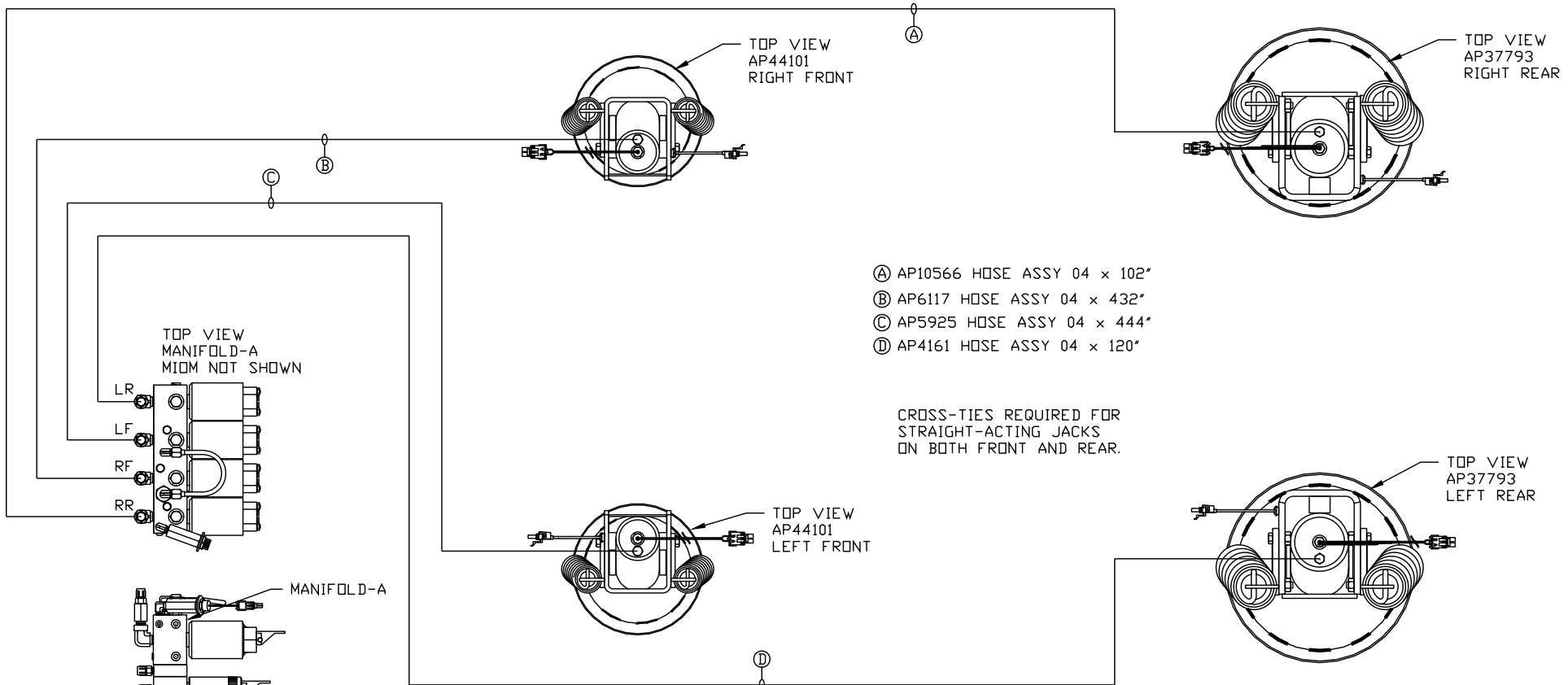
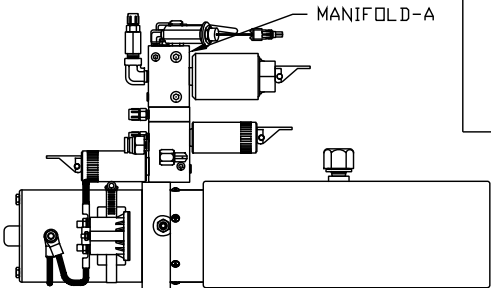


ORIENTATION
← FRONT



- Ⓐ AP10566 HOSE ASSY 04 x 102"
- Ⓑ AP6117 HOSE ASSY 04 x 432"
- Ⓒ AP5925 HOSE ASSY 04 x 444"
- Ⓓ AP4161 HOSE ASSY 04 x 120"

CROSS-TIES REQUIRED FOR STRAIGHT-ACTING JACKS ON BOTH FRONT AND REAR.



SIDE VIEW PUMP/MANIFOLD-AP54806-01

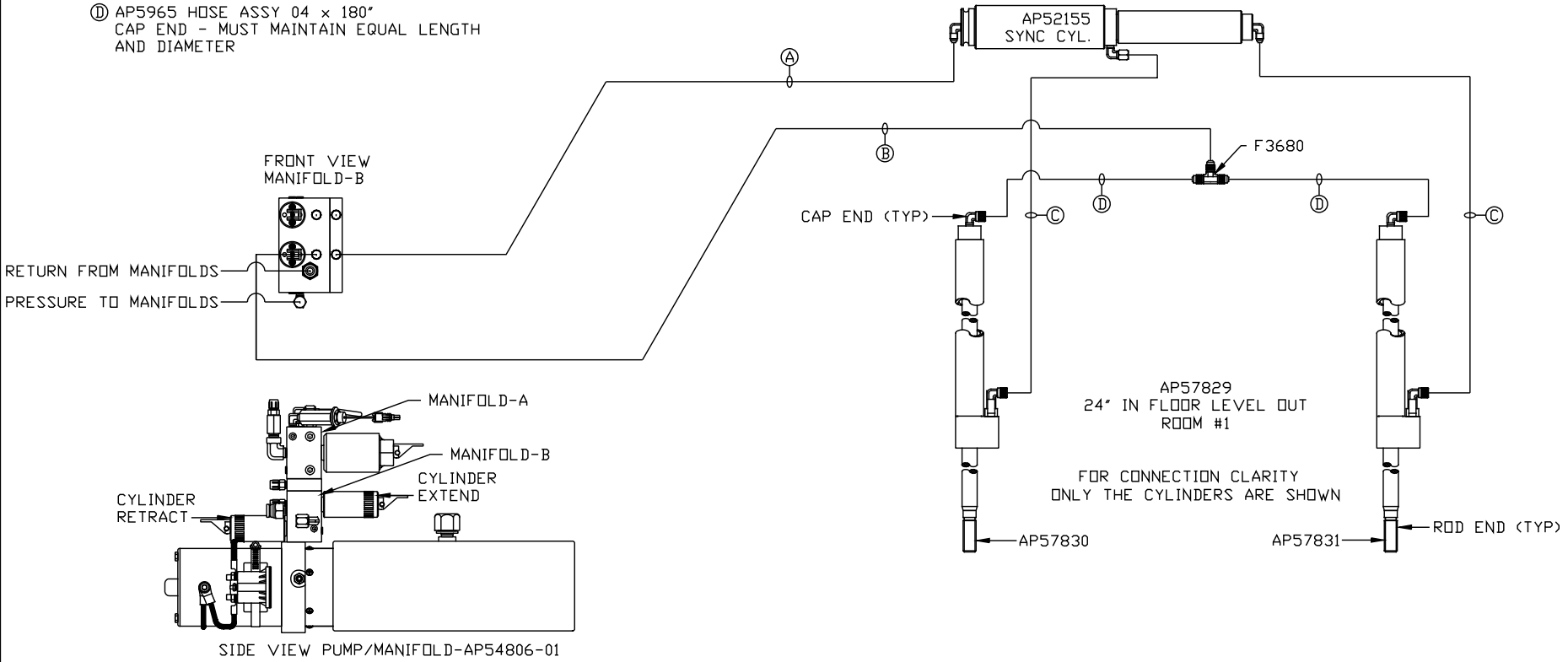
LOCATION AND ORIENTATION OF PUMP/MANIFOLD ASSEMBLY WILL DIFFER DEPENDING UPON O.E.M.

NOTE: INSTALLATION MUST CONFORM TO GOOD SHOP PRACTICES, SAE STANDARDS, RVIA STANDARDS, AND OTHER APPLICABLE STANDARDS.

<p>NO. DATE REVISION</p>			<p>HWH I-80 EXIT 267 SOUTH RT 1 MOSCOW, IOWA 52760</p>	
<p>SCALE 1:6 DATE 23MAR22 DRAWN BY .</p>			<p>HYD CONN DIAGRAM</p>	
<p>SYNC KIT: AP63697</p>			<p>TIFFIN</p>	
<p>PUMP KIT: AP63636</p>			<p>DRAWING NUMBER MP71421 A/E</p>	
<p>JACK KIT: AP52291</p>			<p>THE INFORMATION DISCLOSED ON THIS DRAWING IS CONFIDENTIAL AND MUST NOT BE DISCLOSED OR USED IN ANY MANNER WHICH WILL BE DETRIMENTAL TO THE HWH CORPORATION</p>	

ORIENTATION
 ← FRONT

- Ⓐ AP4074 HOSE ASSY 04 x 108"
ROD END - ALWAYS PRESSURIZED
- Ⓑ AP4161 HOSE ASSY 04 x 120"
CAP END
- Ⓒ AP49517 HOSE ASSY 03 x 180"
ROD END - ALWAYS PRESSURIZED - MUST
MAINTAIN EQUAL LENGTH AND DIAMETER
- Ⓓ AP5965 HOSE ASSY 04 x 180"
CAP END - MUST MAINTAIN EQUAL LENGTH
AND DIAMETER

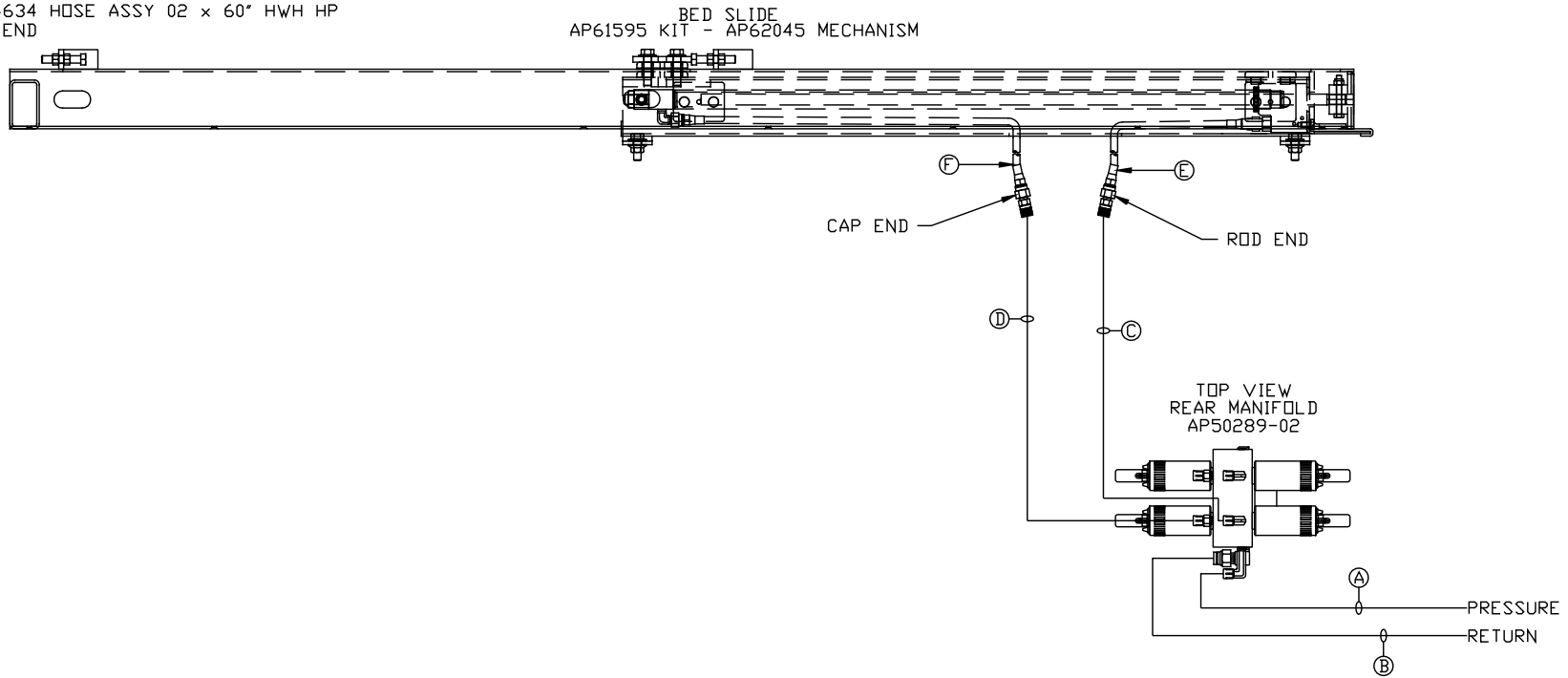


LOCATION AND ORIENTATION OF
 PUMP/MANIFOLD ASSEMBLY WILL
 DIFFER DEPENDING UPON O.E.M.

NOTE: INSTALLATION MUST CONFORM TO GOOD SHOP PRACTICES, SAE
 STANDARDS, RVIA STANDARDS, AND OTHER APPLICABLE STANDARDS.

NOTE: HOSES (E) AND (F) ARE INCLUDED WITH THE ROOM EXTENSION MECHANISM

- (A) AP6218 HOSE ASSY 04 X 480" PRESSURE
- (B) P29287 NYLON TUBING 3/8" X 480" RETURN
- (C) AP4906 HOSE ASSY 04 X 126" ROD END - ALWAYS PRESSURIZED
- (D) AP4161 HOSE ASSY 04 X 120" CAP END
- (E) AP24630 HOSE ASSY 02 X 36" HWH HP ROD END - ALWAYS PRESSURIZED
- (F) AP24634 HOSE ASSY 02 X 60" HWH HP CAP END



NOTE: INSTALLATION MUST CONFORM TO GOOD SHOP PRACTICES, SAE STANDARDS, RVIA STANDARDS, AND OTHER APPLICABLE STANDARDS.

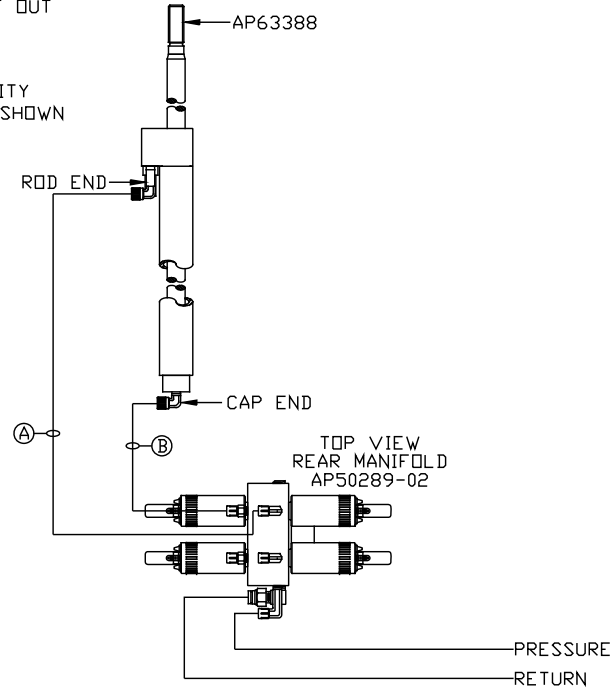
MP71421 C/E
23MAR22

Ⓐ AP4827 HOSE ASSY 04 X 144"
ROD END - ALWAYS PRESSURIZED

Ⓑ AP4062 HOSE ASSY 04 X 132"
CAP END

AP63387
18" IN FLOOR STRAIGHT OUT
ROOM #3

FOR CONNECTION CLARITY
ONLY THE CYLINDER IS SHOWN



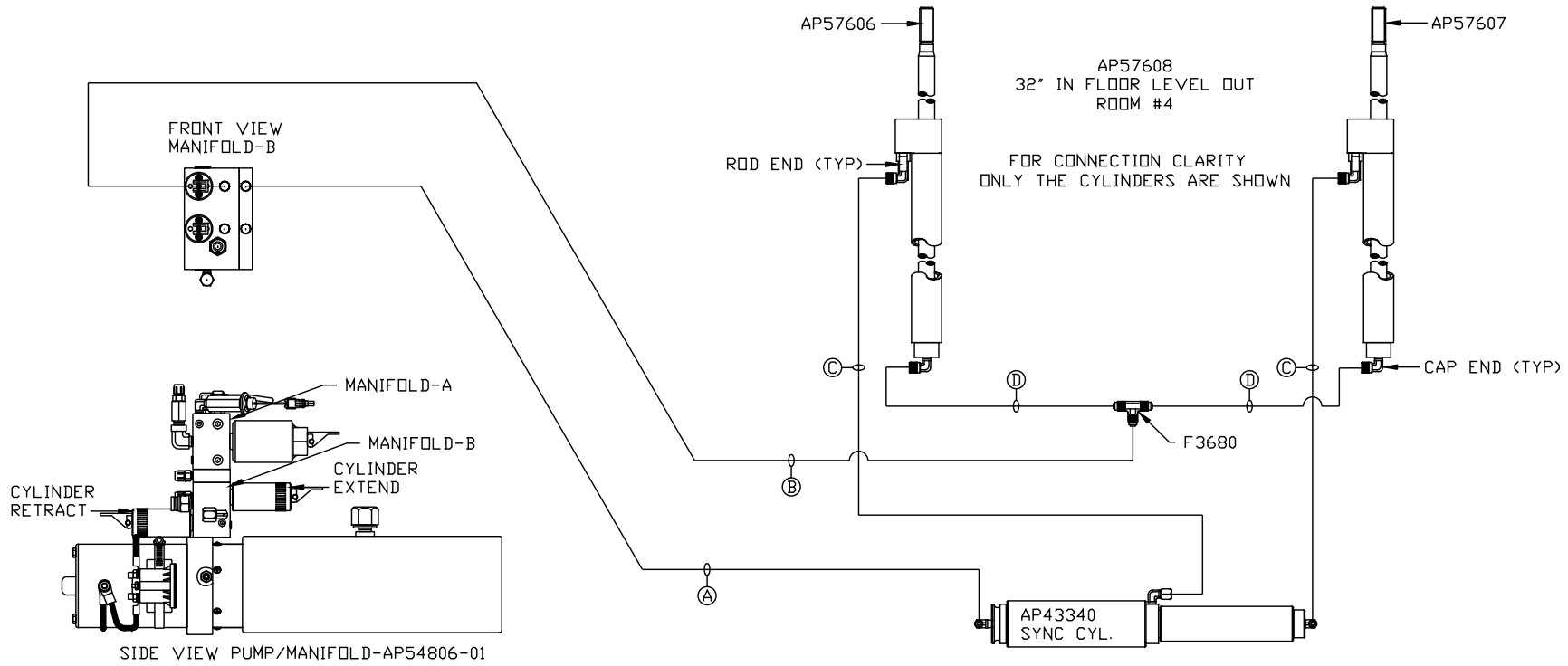
NOTE: INSTALLATION MUST CONFORM TO GOOD SHOP PRACTICES, SAE STANDARDS, RVIA STANDARDS, AND OTHER APPLICABLE STANDARDS.

MP71421 D/E
23MAR22

ORIENTATION

← FRONT

- Ⓐ AP5352 HOSE ASSY 04 × 96"
ROD END - ALWAYS PRESSURIZED
- Ⓑ AP10566 HOSE ASSY 04 × 102"
CAP END
- Ⓒ AP51589 HOSE ASSY 03 × 228"
ROD END - ALWAYS PRESSURIZED - MUST
MAINTAIN EQUAL LENGTH AND DIAMETER
- Ⓓ AP5924 HOSE ASSY 04 × 228"
CAP END - MUST MAINTAIN EQUAL LENGTH
AND DIAMETER



SIDE VIEW PUMP/MANIFOLD-AP54806-01

LOCATION AND ORIENTATION OF
PUMP/MANIFOLD ASSEMBLY WILL
DIFFER DEPENDING UPON O.E.M.

NOTE: INSTALLATION MUST CONFORM TO GOOD SHOP PRACTICES, SAE
STANDARDS, RVIA STANDARDS, AND OTHER APPLICABLE STANDARDS.