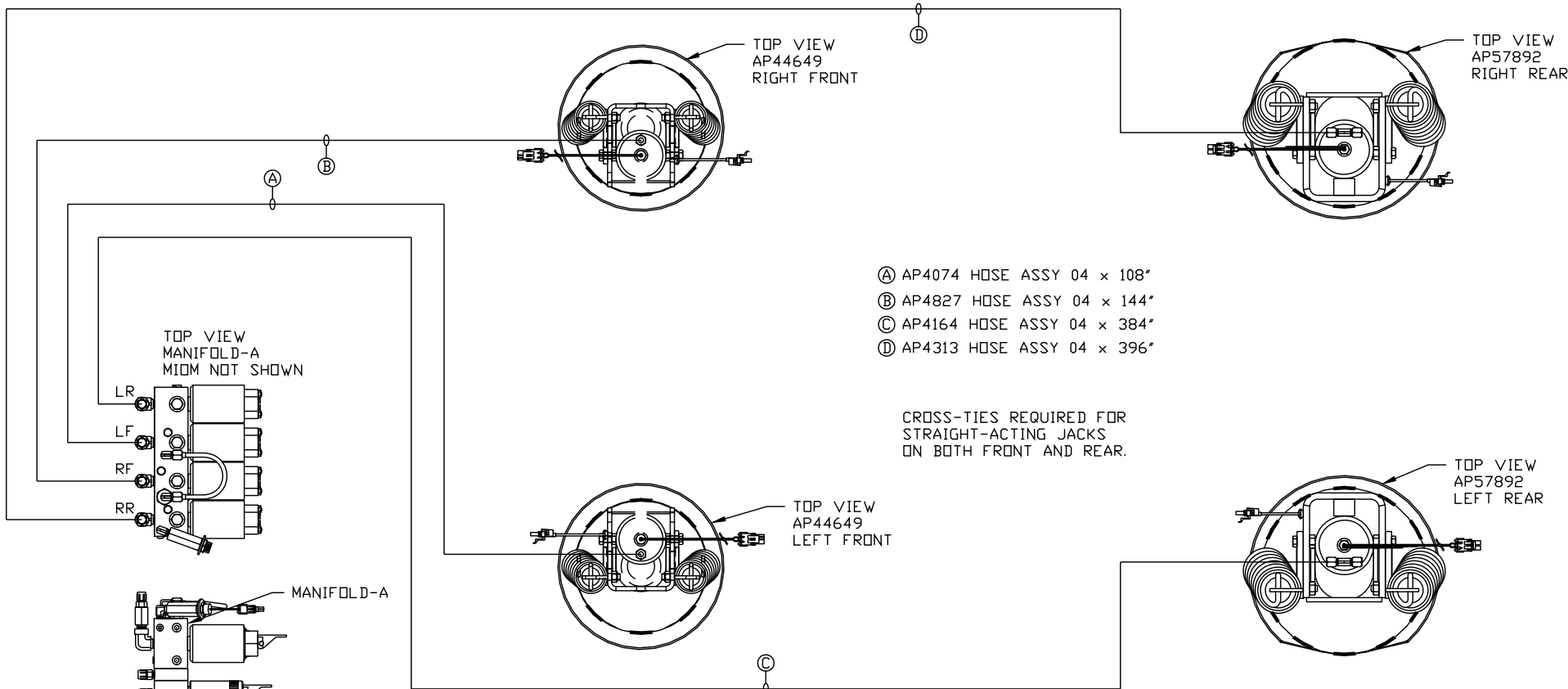


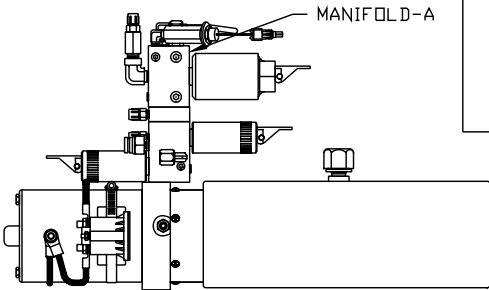
ORIENTATION  
 ← FRONT



TOP VIEW  
 MANIFOLD-A  
 MIDM NOT SHOWN

LR  
 LF  
 RF  
 RR

MANIFOLD-A



SIDE VIEW PUMP/MANIFOLD-AP54806-01

LOCATION AND ORIENTATION OF  
 PUMP/MANIFOLD ASSEMBLY WILL  
 DIFFER DEPENDING UPON O.E.M.

NOTE: INSTALLATION MUST CONFORM TO GOOD SHOP PRACTICES, SAE  
 STANDARDS, RVIA STANDARDS, AND OTHER APPLICABLE STANDARDS.

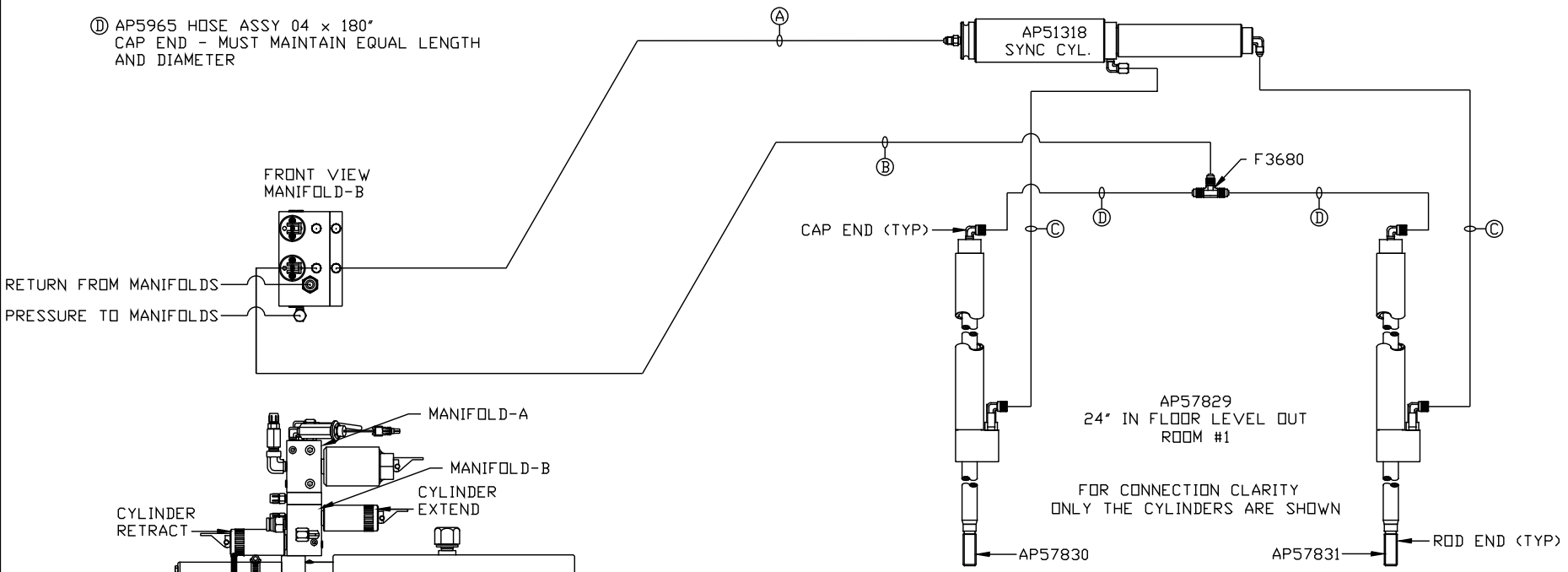
- A) AP4074 HOSE ASSY 04 x 108"
- B) AP4827 HOSE ASSY 04 x 144"
- C) AP4164 HOSE ASSY 04 x 384"
- D) AP4313 HOSE ASSY 04 x 396"

CROSS-TIES REQUIRED FOR  
 STRAIGHT-ACTING JACKS  
 ON BOTH FRONT AND REAR.

HWH			I-80 EXIT 267 SOUTH RT 1 MOSCOW, IOWA 52760	
SCALE 1:6	DATE 23MAR22	DRAWN BY .		
HYD CONN DIAGRAM				
SYNC KIT: AP63716	NO.	DATE	REVISION	
PUMP KIT: AP63636	THE INFORMATION DISCLOSED ON THIS DRAWING IS CONFIDENTIAL AND MUST NOT BE DISCLOSED OR USED IN ANY MANNER WHICH WILL BE DETRIMENTAL TO THE HWH CORPORATION			
JACK KIT: AP57896	TIFFIN			DRAWING NUMBER MP71423 A/E

ORIENTATION  
 ← FRONT

- Ⓐ AP4074 HOSE ASSY 04 x 108"  
ROD END - ALWAYS PRESSURIZED
- Ⓑ AP4161 HOSE ASSY 04 x 120"  
CAP END
- Ⓒ AP49517 HOSE ASSY 03 x 180"  
ROD END - ALWAYS PRESSURIZED - MUST  
MAINTAIN EQUAL LENGTH AND DIAMETER
- Ⓓ AP5965 HOSE ASSY 04 x 180"  
CAP END - MUST MAINTAIN EQUAL LENGTH  
AND DIAMETER

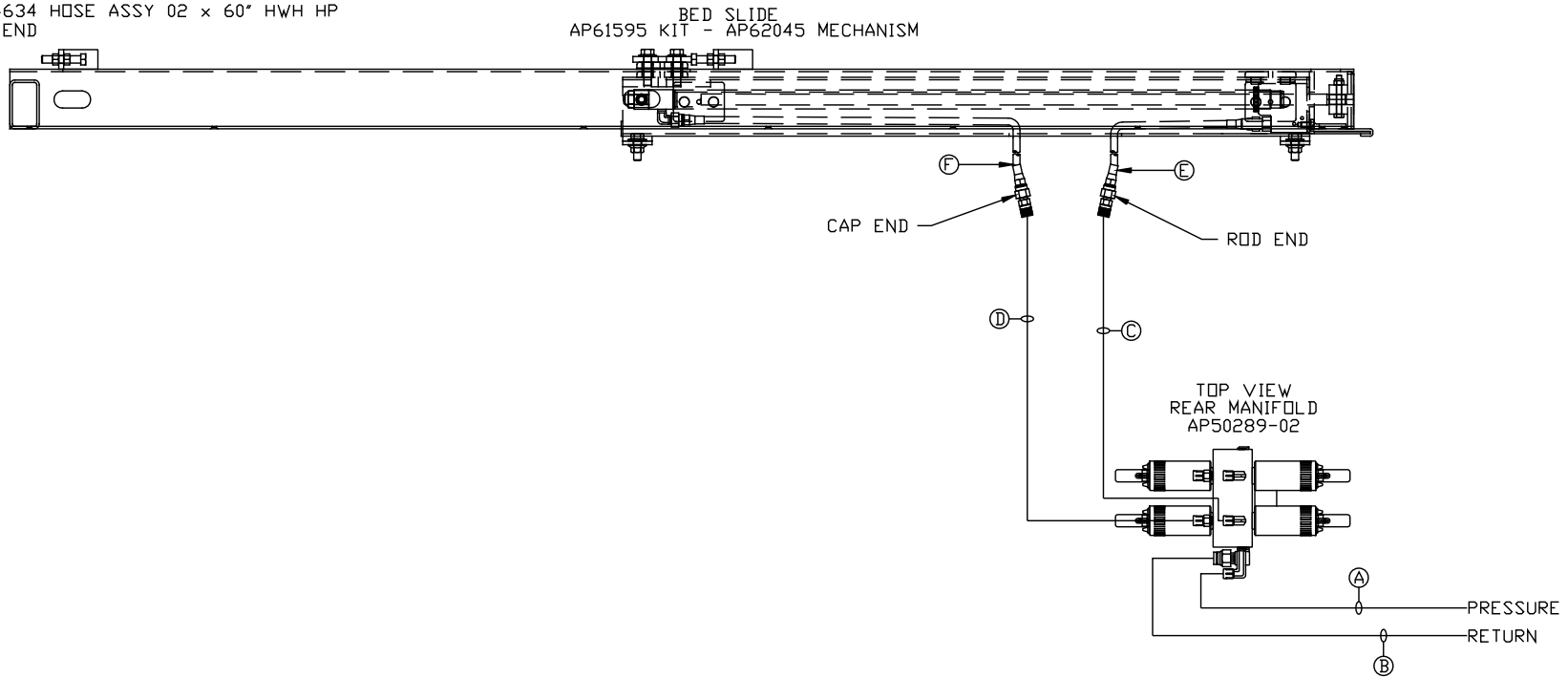


SIDE VIEW PUMP/MANIFOLD-AP54806-01  
 LOCATION AND ORIENTATION OF  
 PUMP/MANIFOLD ASSEMBLY WILL  
 DIFFER DEPENDING UPON O.E.M.

NOTE: INSTALLATION MUST CONFORM TO GOOD SHOP PRACTICES, SAE  
 STANDARDS, RVIA STANDARDS, AND OTHER APPLICABLE STANDARDS.

NOTE: HOSES (E) AND (F) ARE INCLUDED WITH THE ROOM EXTENSION MECHANISM

- (A) AP6218 HOSE ASSY 04 X 480" PRESSURE
- (B) P29287 NYLON TUBING 3/8" X 480" RETURN
- (C) AP5562 HOSE ASSY 04 X 276" ROD END - ALWAYS PRESSURIZED
- (D) AP6216 HOSE ASSY 04 X 264" CAP END
- (E) AP24630 HOSE ASSY 02 X 36" HWH HP ROD END - ALWAYS PRESSURIZED
- (F) AP24634 HOSE ASSY 02 X 60" HWH HP CAP END



NOTE: INSTALLATION MUST CONFORM TO GOOD SHOP PRACTICES, SAE STANDARDS, RVIA STANDARDS, AND OTHER APPLICABLE STANDARDS.

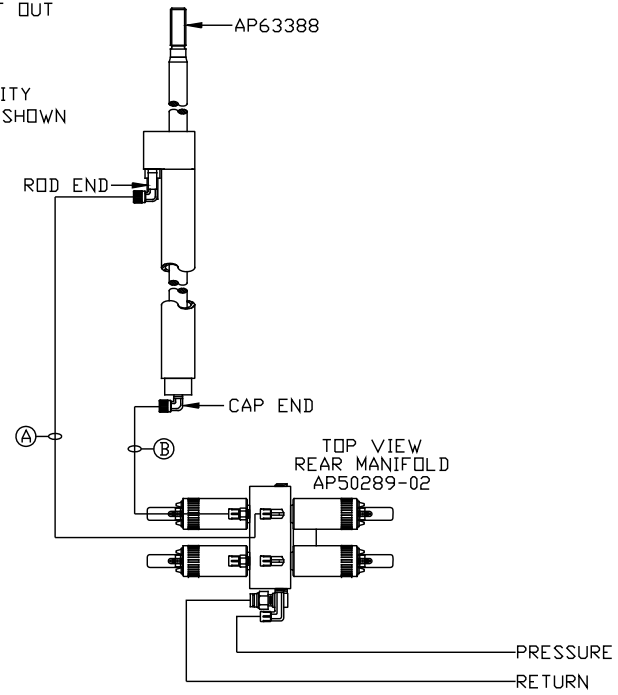
MP71423 C/E  
23MAR22

Ⓐ AP4827 HOSE ASSY 04 X 144"  
ROD END - ALWAYS PRESSURIZED

Ⓑ AP4062 HOSE ASSY 04 X 132"  
CAP END

AP63387  
18" IN FLOOR STRAIGHT OUT  
ROOM #3

FOR CONNECTION CLARITY  
ONLY THE CYLINDER IS SHOWN



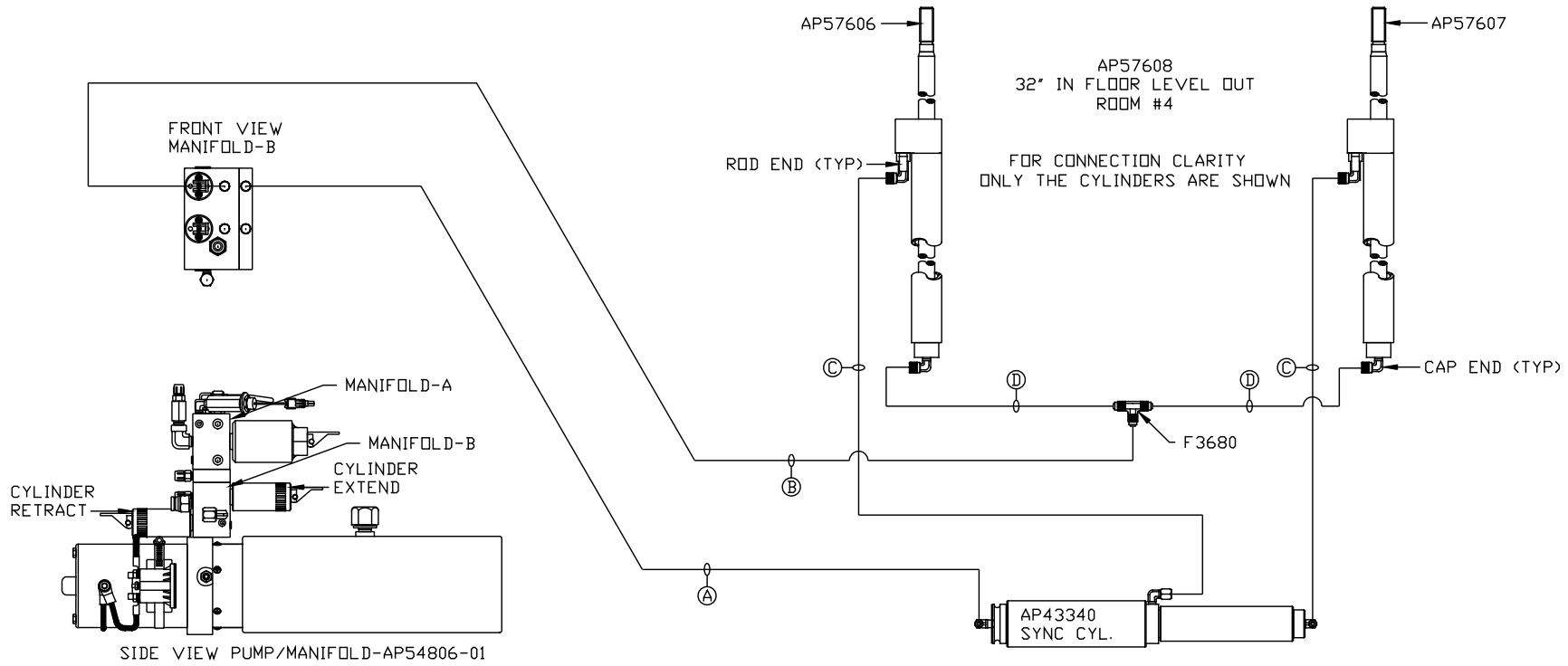
NOTE: INSTALLATION MUST CONFORM TO GOOD SHOP PRACTICES, SAE STANDARDS, RVIA STANDARDS, AND OTHER APPLICABLE STANDARDS.

MP71423 D/E  
23MAR22

ORIENTATION

← FRONT

- Ⓐ AP5352 HOSE ASSY 04 × 96"  
ROD END - ALWAYS PRESSURIZED
- Ⓑ AP10566 HOSE ASSY 04 × 102"  
CAP END
- Ⓒ AP51589 HOSE ASSY 03 × 228"  
ROD END - ALWAYS PRESSURIZED - MUST  
MAINTAIN EQUAL LENGTH AND DIAMETER
- Ⓓ AP5924 HOSE ASSY 04 × 228"  
CAP END - MUST MAINTAIN EQUAL LENGTH  
AND DIAMETER



LOCATION AND ORIENTATION OF  
PUMP/MANIFOLD ASSEMBLY WILL  
DIFFER DEPENDING UPON O.E.M.

NOTE: INSTALLATION MUST CONFORM TO GOOD SHOP PRACTICES, SAE  
STANDARDS, RVIA STANDARDS, AND OTHER APPLICABLE STANDARDS.